

## Custom Clock Generator for Fax System

### Features

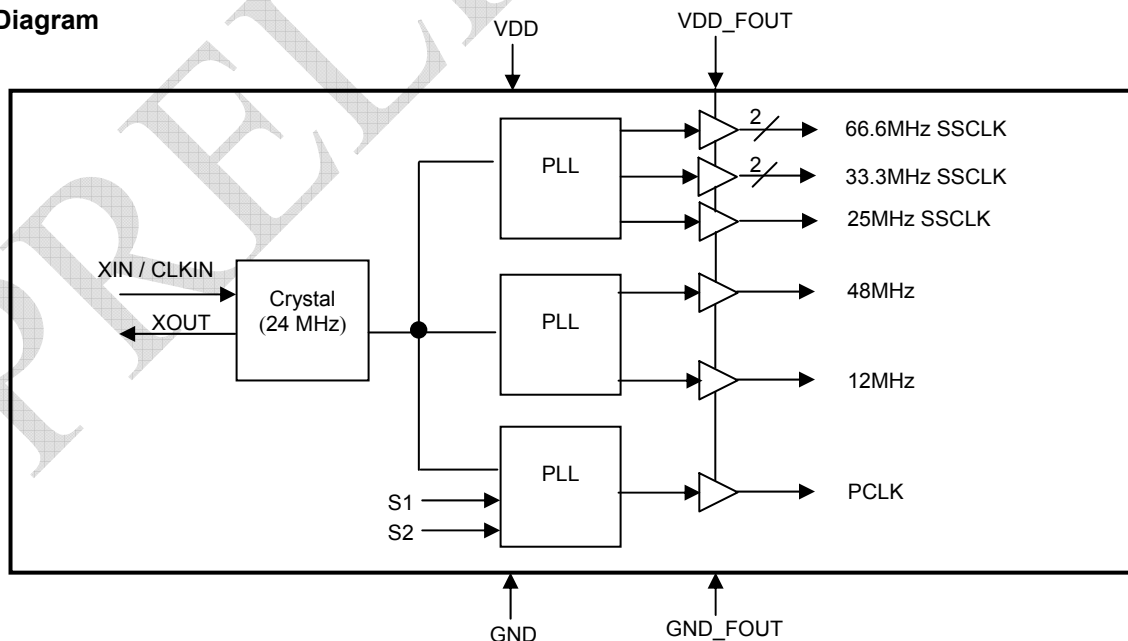
- Generates Custom Clocks for FAX system from an inexpensive 24MHz Crystal
- 2x 66.66MHz low EMI (Spread Spectrum) clocks for ASIC1 (System / DDR SDRAM)
- 1x 48MHz for USB1.1 HOST
- 2x 33.33MHz low EMI (Spread Spectrum) clocks for System / DDR SDRAM of ASIC2 and ASIC3
- 1x 25MHz low EMI (Spread Spectrum) clock for LCD, Serial port, and buzzer of ASIC1
- 1x 12MHz for USB PHY (USB2.0)
- 1x Programmable clock for printer engine control
- One of the four programmable clock outputs selection through two Select Pins
- Supply Voltage 3.3V +/- 0.3V
- Available in 16L TSSOP, Green package
- Commercial Temperature operation

### Product Description

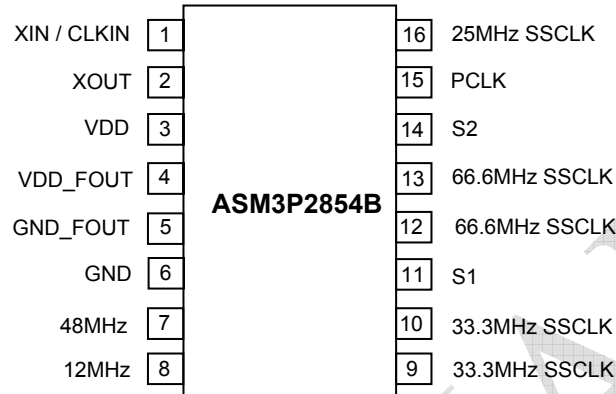
ASM3P2854B is a part of the two chip custom clock generator solution for NEC FAX system. Together with ASM3P2855A, ASM3P2854B realizes all the seventeen clocks required by the various components and subsystems of the FAX system. It uses an inexpensive 24MHz crystal as the input to generate two 66.66MHz low EMI (spread spectrum) clocks used by ASIC1 for system / DDR SDRAM, two 33.33MHz low EMI (spread spectrum) clocks used by ASIC2 and ASIC3 for system / DDR SDRAM, a 25MHz low EMI (Spread Spectrum) clock used by ASIC1 for LCD, Serial port, and buzzer, a

48MHz clock used by USB1.1 HOST, and a 12MHz clock used by USB PHY (USB2.0). One of the four Programmable clock (PCLK) frequencies of 24.00448MHz, 21.33732MHz, 21.19962MHz and 20.40464MHz used for Printer Engine control is selectable through two Select pins S1 and S2. The accuracy of the synthesized programmable clocks is within +/- 18ppm. The custom clock generator works with a Supply Voltage for 3.3V. The device is available in a 16L TSSOP Green package, in commercial temperature range. The output Clocks have an accuracy of ±50ppm.

### Block Diagram



Pin Diagram



Pin Description

Pin#	Pin Name	Type	Description
1	XIN / CLKIN	I	Crystal connection or external reference frequency input. This pin has dual functions. It can be connected either to an external crystal or an external reference clock.
2	XOUT	O	Crystal connection. If using an external reference, this pin must be left unconnected.
3	VDD	P	Power supply for the core
4	VDD_FOUT	P	Power supply for the output buffers.
5	GND_FOUT	P	Ground connection for the output buffers
6	GND	P	Ground connection
7	48MHz	O	48MHz Clock Output
8	12MHz	O	12MHz Clock Output
9	33.3MHz	O	33.3 MHz low EMI Clock Output
10	33.3MHz	O	33.3 MHz low EMI Clock Output
11	S1	I	Selection Bit for Programmable Clock .See the PCLK Selection Table for details
12	66.6MHz	O	66.6 MHz low EMI Clock Output
13	66.6MHz	O	66.6 MHz low EMI Clock Output
14	S2	I	Selection Bit for Programmable Clock .See the PCLK Selection Table for details
15	PCLK	O	Programmable Clock Output
16	25MHz	O	25 MHz low EMI Clock Output

rev 0.2

**PCLK Selection Table**

S2	S1	Programmable Clock (MHz)
0	0	24.00448
0	1	21.33732
1	0	21.19962
1	1	20.40464

**Absolute Maximum Ratings**

Symbol	Parameter	Rating	Unit
VDD, VDD_FOUT	Voltage on any pin with respect to Ground	-0.5 to +4.6	V
T <sub>STG</sub>	Storage temperature	-65 to +125	°C
T <sub>s</sub>	Max. Soldering Temperature (10 sec)	260	°C
T <sub>J</sub>	Junction Temperature	150	°C
T <sub>DV</sub>	Static Discharge Voltage (As per JEDEC STD22- A114-B)	2	KV

Note: These are stress ratings only and are not implied for functional use. Exposure to absolute maximum ratings for prolonged periods of time may affect device reliability.

**Recommended Operating Conditions**

Symbol	Parameter	Min	Typ	Max	Units
T <sub>A</sub>	Operating Temperature	0		+70	°C
VDD	Core Voltage	+3.0	+3.3	+3.6	V
VDD_FOUT	Output Voltage	+3.0	+3.3	+3.6	V

rev 0.2

DC Electrical Characteristics

Symbol	Parameter	Min	Typ	Max	Unit
V <sub>IL</sub>	Input low voltage	GND - 0.3		0.8	V
V <sub>IH</sub>	Input high voltage	2.0		VDD + 0.3	V
I <sub>IL</sub>	Input low current			-35	μA
I <sub>IH</sub>	Input high current			35	μA
I <sub>XOL</sub>	XOUT output low current (V <sub>XOL</sub> @0.4V, VDD=3.3V)		3		mA
I <sub>XOH</sub>	XOUT output high current (V <sub>XOH</sub> @2.5V, VDD=3.3V)		3		mA
V <sub>OL</sub>	Output low voltage (VDD = 3.3V, I <sub>OL</sub> = 15mA)			0.4	V
V <sub>OH</sub>	Output high voltage (VDD = 3.3V, I <sub>OH</sub> = 15mA)	2.5			V
I <sub>DD</sub>	Static supply current*		14		mA
I <sub>CC</sub>	Dynamic supply current ( VDD=3.3V, No Load)		33		mA
VDD	Operating Voltage	3.0	3.3	3.6	V
VDD_FOUT	Operating Voltage	3.0	3.3	3.6	V
t <sub>ON</sub>	Power-up time (first locked cycle after power-up)			5	mS
Z <sub>OUT</sub>	Output impedance		37		Ω

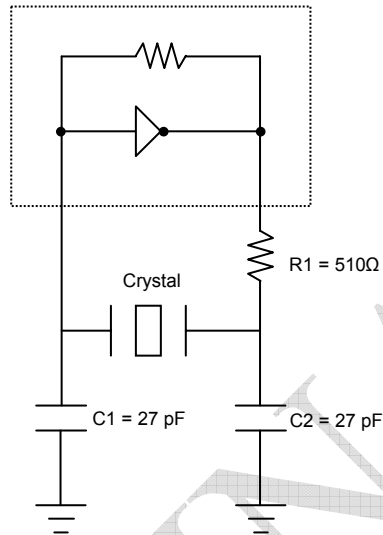
\* XIN pin is pulled low

AC Electrical Characteristics

Symbol	Parameter	Min	Typ	Max	Unit
XIN / CLKIN	Input frequency		24		MHz
F <sub>OUT</sub>	At Pin 7		48		
	At Pin 8		12		
	At Pins 9 and 10		33		
	At Pins 12 and 13		66		
	At Pin 15*		PCLK		
	At Pin 16		25		
f <sub>d</sub>	Frequency Deviation	Output Frequency = 25MHz	-0.45		%
		Output Frequency = 33.3MHz	-0.6		
		Output Frequency = 66.6MHz	-1.2		
t <sub>LH</sub> **	Output rise time (measured from 0.8 to 2.0V)		1.0		nS
t <sub>HL</sub> **	Output fall time (measured at 2.0V to 0.8V)		1.0		
t <sub>JC</sub>	Jitter (Cycle to cycle)		250		pS
t <sub>D</sub>	Output duty cycle	45	50	55	%

\* See the PCLK Selection Table for PCLK Frequency  
 \*\* t<sub>LH</sub> and t<sub>HL</sub> are measured into a capacitive load of 15pF

**Typical Crystal Oscillator Circuit**

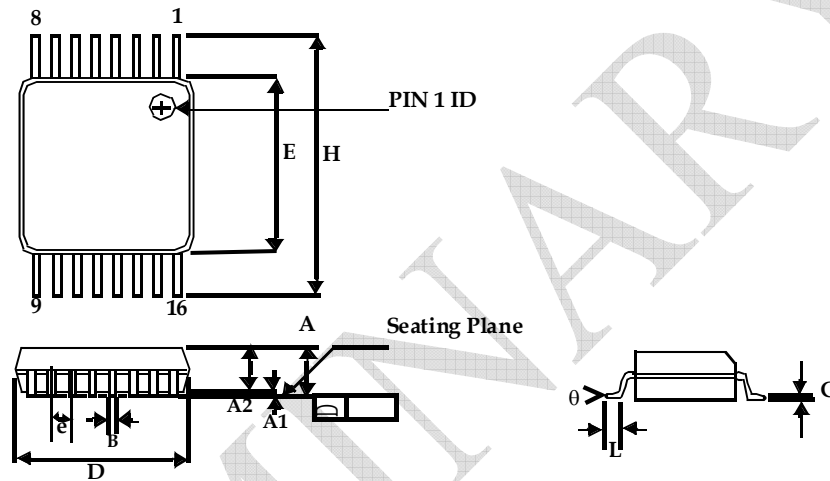


**Typical Crystal Specifications**

Fundamental AT cut parallel resonant crystal	
Nominal frequency	24 MHz
Frequency tolerance	± 50 ppm or better at 25°C
Operating temperature range	-25°C to +85°C
Storage temperature	-40°C to +85°C
Load capacitance	18pF
Shunt capacitance	7pF maximum
ESR	25 Ω

Package Information

16-lead Thin Shrunk Small Outline Package (4.40-MM Body)



Symbol	Dimensions			
	Inches		Millimeters	
	Min	Max	Min	Max
A		0.043		1.20
A1	0.002	0.006	0.05	0.15
A2	0.031	0.041	0.80	1.05
B	0.007	0.012	0.19	0.30
C	0.004	0.008	0.09	0.20
D	0.193	0.201	4.90	5.10
E	0.169	0.177	4.30	4.50
e	0.026 BSC		0.65 BSC	
H	0.252 BSC		6.40 BSC	
L	0.020	0.030	0.50	0.75
θ	0°	8°	0°	8°



Giving you the edge

March 2007

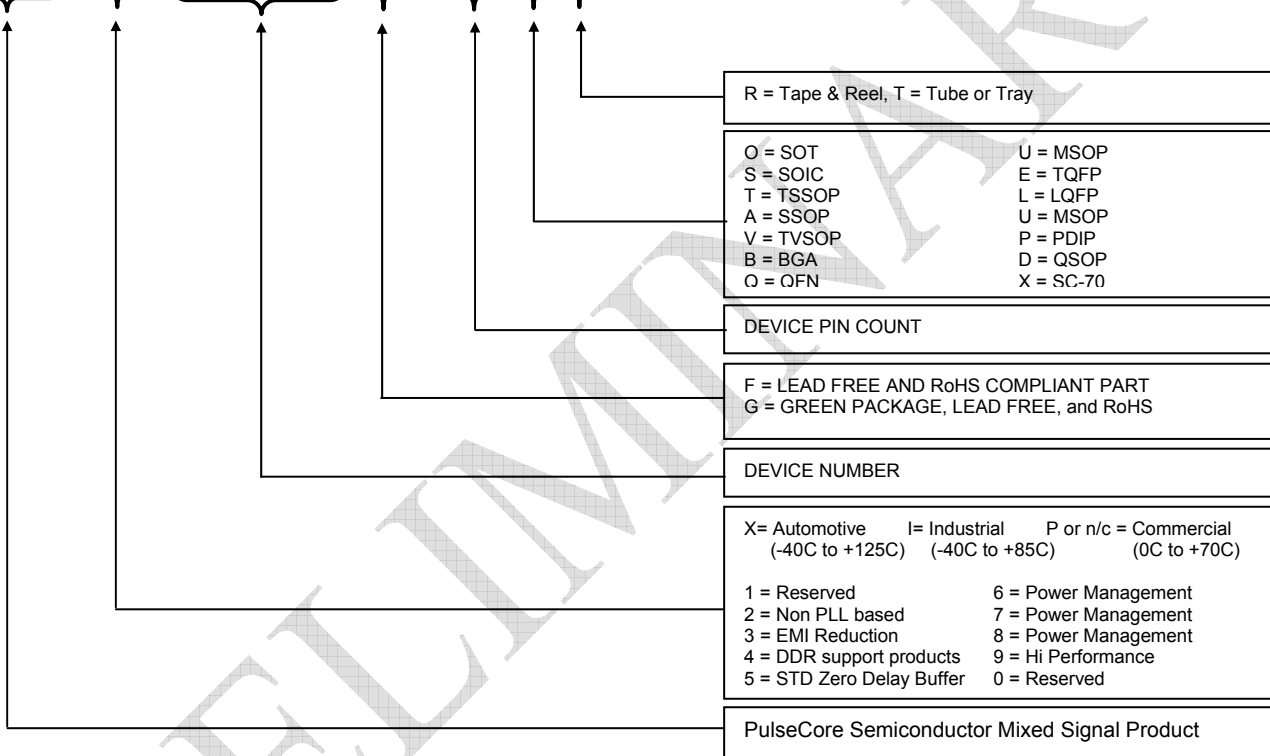
ASM3P2854B

rev 0.2

Ordering Codes

Ordering Code	Marking	Package Type	Temperature
ASM3P2854BG-16-TT	3P2854BG	16-pin 4.4-mm TSSOP - TUBE, Green	Commercial
ASM3P2854BG-16-TR	3P2854BG	16-pin 4.4-mm TSSOP - TAPE & REEL, Green	Commercial

A S M 3 P 2 8 5 4 B G - 1 6 T R



Licensed under U.S Patent Nos 5,488,627 and 5,631,921



PulseCore Semiconductor Corporation  
1715 S. Bascom Ave Suite 200  
Campbell, CA 95008  
Tel: 408-879-9077  
Fax: 408-879-9018  
www.pulsecoresemi.com

Copyright © PulseCore Semiconductor  
All Rights Reserved  
Preliminary Information  
Part Number: ASM3P2854B  
Document Version: V0.2

Note: This product utilizes US Patent # 6,646,463 Impedance Emulator Patent issued to PulseCore Semiconductor, dated 11-11-2003

© Copyright 2007 PulseCore Semiconductor Corporation. All rights reserved. Our logo and name are trademarks or registered trademarks of PulseCore Semiconductor. All other brand and product names may be the trademarks of their respective companies. PulseCore reserves the right to make changes to this document and its products at any time without notice. PulseCore assumes no responsibility for any errors that may appear in this document. The data contained herein represents PulseCore's best data and/or estimates at the time of issuance. PulseCore reserves the right to change or correct this data at any time, without notice. If the product described herein is under development, significant changes to these specifications are possible. The information in this product data sheet is intended to be general descriptive information for potential customers and users, and is not intended to operate as, or provide, any guarantee or warranty to any user or customer. PulseCore does not assume any responsibility or liability arising out of the application or use of any product described herein, and disclaims any express or implied warranties related to the sale and/or use of PulseCore products including liability or warranties related to fitness for a particular purpose, merchantability, or infringement of any intellectual property rights, except as expressly agreed to in PulseCore's Terms and Conditions of Sale (which are available from PulseCore). All sales of PulseCore products are made exclusively according to PulseCore's Terms and Conditions of Sale. The purchase of products from PulseCore does not convey a license under any patent rights, copyrights; mask works rights, trademarks, or any other intellectual property rights of PulseCore or third parties. PulseCore does not authorize its products for use as critical components in life-supporting systems where a malfunction or failure may reasonably be expected to result in significant injury to the user, and the inclusion of PulseCore products in such life-supporting systems implies that the manufacturer assumes all risk of such use and agrees to indemnify PulseCore against all claims arising from such use.