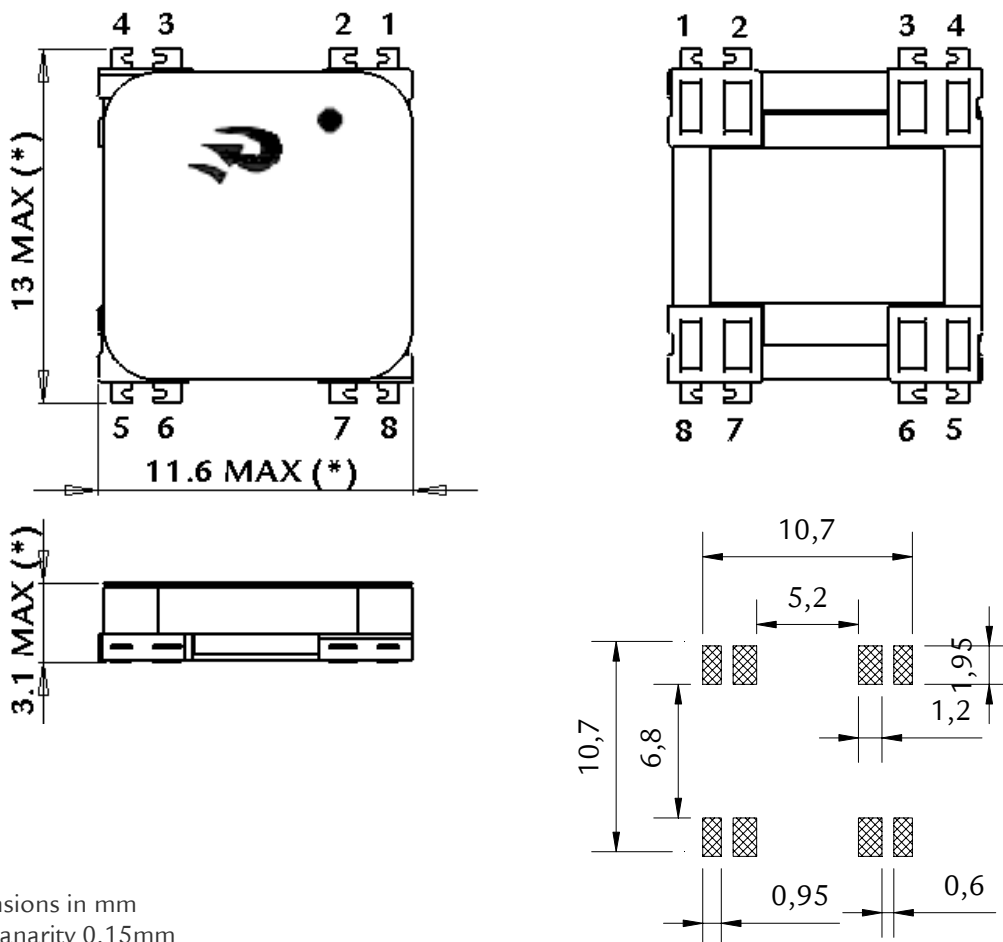
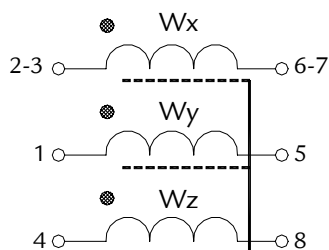


1. Dimensions and Pad Layout



All Dimensions in mm
Pins Coplanarity 0.15mm
General Tolerances ± 0.1 mm

2. Schematic Diagram



Pins 2-3 and 6-7 interconnected

3. Materials

Core:	Ferrite Core
SMD Base:	LCP
Leadframe:	CuSn6 / Cu / Sn100
Wires:	Enamelled and Selfbonding copper wire
Adhesive:	Epoxy-based adhesives
Label:	Acrylate



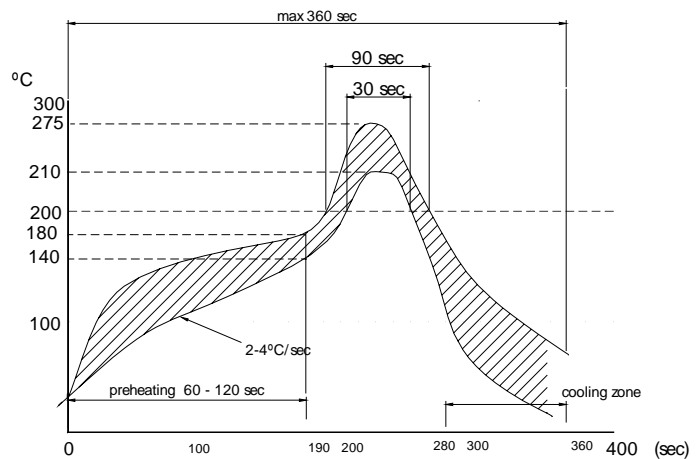
Remark : Products comply with RoHS requirements

4. General Specifications. Recommended Reflow Profile

Typical Operating Frequency 125KHz

Storage Temperature -40 °C → +85 °C

Operating Temperature -40 °C → +85 °C



Lead Free Reflow Profile

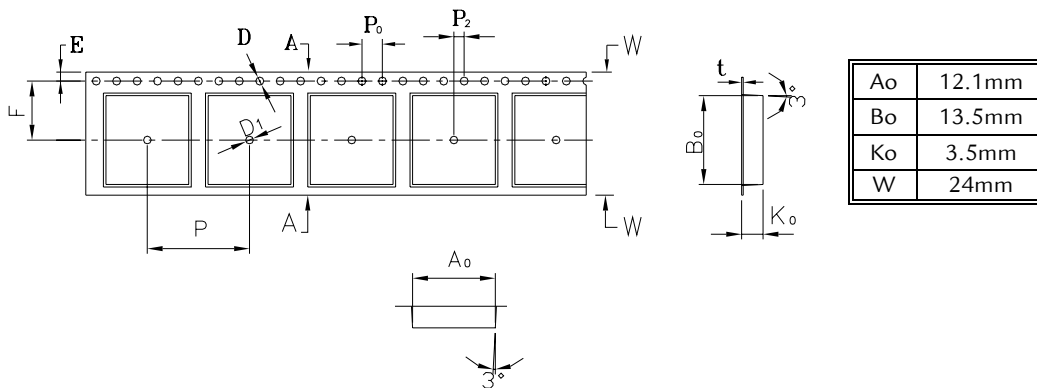
5. Electrical Characteristics

3DC1111LP

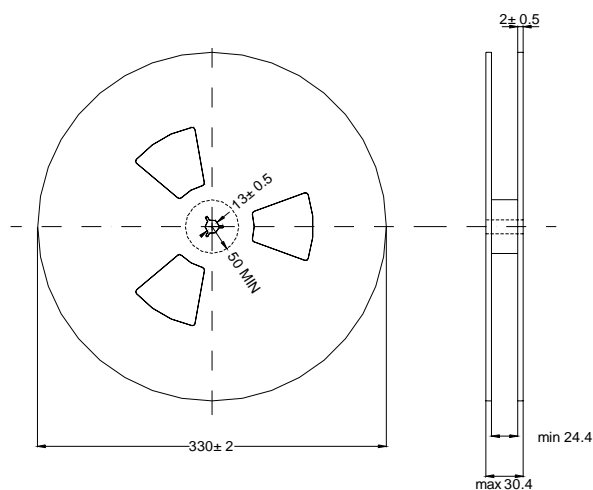
Code	Lx,y,z (mH)	Qx,y Min	Freq (KHz)	Cres (pF)	SRFx,y (KHz) Min	SRFz (KHz) Min	DCRx,y (Ohm) Max	DCRz (Ohm) Max	Sensitivity x,y,z (mV/App/m) Min	Length (mm)	Width (mm)	Height (mm)
3DC111LP-0238J	2.38	25	125	680	500	900	50	50	40	13	11.6	3.1
3DC111LP-0247J	2.47	25	125	656	500	800	50	50	50			
3DC111LP-0345J	3.45	29	125	470	400	800	60	70	55			
3DC111LP-0405J	4.05	30	125	400	400	600	67	67	60			
3DC111LP-0477J	4.77	30	125	340	370	600	70	96	65			
3DC111LP-0491J	4.91	32	125	330	350	600	74	98	65			
3DC111LP-0720J	7.20	25	125	225	330	500	84	120	72			

7. Packaging Information

TAPING SPECIFICATION (According to EIA481)



REEL



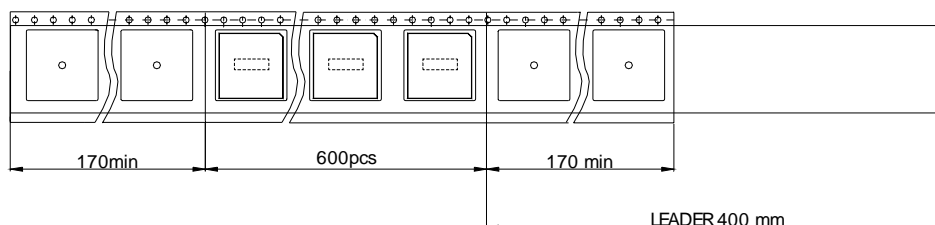
PARTS PER REEL

330 mmΦ
600

MATERIAL LIST

ITEM	MATERIAL
Reel	Shock-Proof Polystyrol
Carrier tape	PC brown colour 0.3 mm
Cover tape	Polyester

TAPING

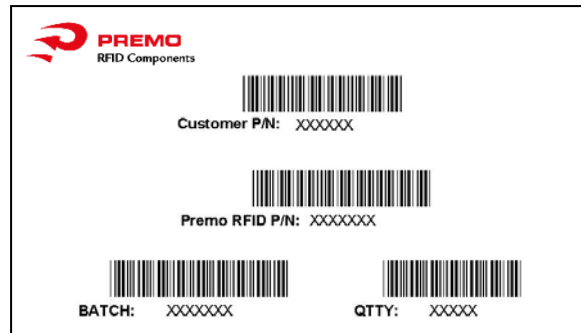


8. Labelling

PART LABELLING



PACKAGE LABELLING



9. Reliability Tests

This part is according to AEC-Q200 Revision C.

Edition	Revision Date
4	13/08/09