

Silicon PNP Power Transistor

2SB885

DESCRIPTION

- With TO-220C package
- DARLINGTON
- High DC current gain
- Low collector saturation voltage
- Complement to type 2SD1195

APPLICATIONS

- For motor drivers,printer hammer drivers,relay drivers,voltage regulator control applications

PINNING

PIN	DESCRIPTION
1	Base
2	Collector;connected to mounting base
3	Emitter

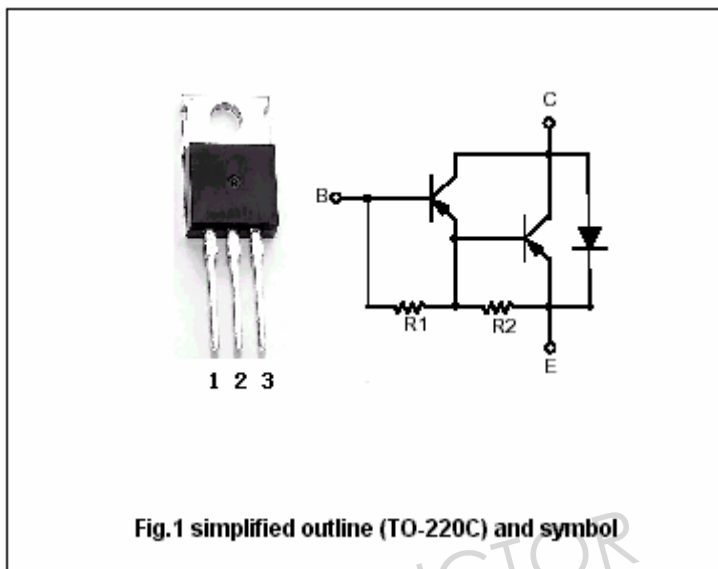


Fig.1 simplified outline (TO-220C) and symbol

Absolute maximum ratings(Tc=25 )

SYMBOL	PARAMETER	CONDITIONS	VALUE	UNIT
$V_{CBO}$	Collector-base voltage	Open emitter	-110	V
$V_{CEO}$	Collector-emitter voltage	Open base	-100	V
$V_{EBO}$	Emitter-base voltage	Open collector	-6	V
$I_C$	Collector current-DC		-5	A
$I_{CM}$	Collector current-Pulse		-8	A
$P_C$	Collector power dissipation	$T_C=25$	35	W
		$T_a=25$	1.75	
$T_j$	Junction temperature		150	
$T_{stg}$	Storage temperature		-55~150	

## Silicon PNP Power Transistor

## 2SB885

## CHARACTERISTICS

T<sub>j</sub>=25 unless otherwise specified

SYMBOL	PARAMETER	CONDITIONS	MIN	TYP.	MAX	UNIT
V <sub>(BR)CEO</sub>	Collector-emitter breakdown voltage	I <sub>C</sub> =-50mA, R <sub>BE</sub> =	-100			V
V <sub>(BR)CBO</sub>	Collector-base breakdown voltage	I <sub>C</sub> =-5mA, I <sub>E</sub> =0	-110			V
V <sub>CEsat</sub>	Collector-emitter saturation voltage	I <sub>C</sub> =-2.5A, I <sub>B</sub> =-5mA			-1.5	V
V <sub>BE sat</sub>	Base-emitter saturation voltage	I <sub>C</sub> =-2.5A, I <sub>B</sub> =-5mA			-2.0	V
I <sub>CBO</sub>	Collector cut-off current	V <sub>CB</sub> =-80V, I <sub>E</sub> =0			-0.1	mA
I <sub>EBO</sub>	Emitter cut-off current	V <sub>EB</sub> =-5V; I <sub>C</sub> =0			-3.0	mA
h <sub>FE</sub>	DC current gain	I <sub>C</sub> =-2.5A ; V <sub>CE</sub> =-3V	1500			
f <sub>T</sub>	Transition frequency	V <sub>CE</sub> =-5V, I <sub>C</sub> =-2.5A		20		MHz

## Switching times

t <sub>on</sub>	Turn-on time	I <sub>C</sub> =-2A ; V <sub>CC</sub> =-50V I <sub>B1</sub> =-I <sub>B2</sub> =-4mA; R <sub>L</sub> =25		0.7		μs
t <sub>stg</sub>	Storage time			1.3		μs
t <sub>f</sub>	Turn-off time			1.5		μs

Silicon PNP Power Transistor

2SB885

PACKAGE OUTLINE

