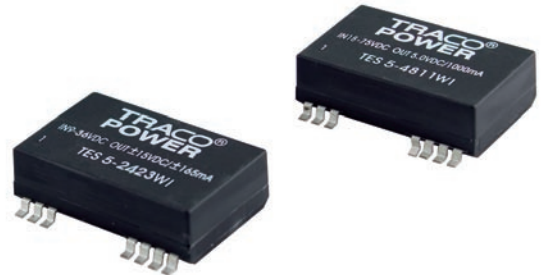


#### Features

- ◆ Compact SMD package
- ◆ 33.4 x 25.6 mm footprint
- ◆ Ultra-wide 4:1 input voltage range
- ◆ I/O isolation 1500 VDC
- ◆ Operating temp. range -40 °C to 71 °C
- ◆ Short circuit protection
- ◆ Input filter to meet EN 55022, class A
- ◆ Remote On/Off
- ◆ High accuracy of pin co-planarity
- ◆ Qualified for leadfree reflow solder process according IPC/JEDEC J-STD-020D
- ◆ 3-year product warranty



The TES-5WI series is a family of high performance 5W dc/dc-converter modules in a low profile SMD package with compact dimensions. The 14 modules feature ultra-wide 4:1 input ranges with tightly regulated output voltage. High efficiency allows an operating temperature range of -40 to +71°C without derating.

Further features are built-in EMI-filter to meet EN 55022 class A without external components and remote On/Off control. The products comply with IPC J-STD-020D and are qualified for high temperature lead-free reflow solder process.

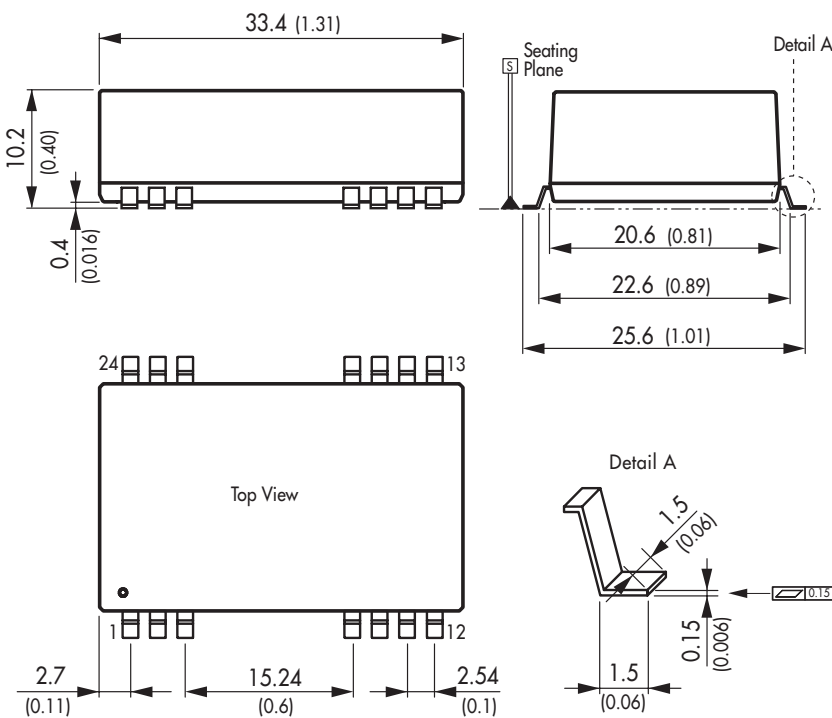
Models				
Order code	Input voltage	Output voltage	Output current max.	Efficiency typ.
TES 5-2410WI	9 – 36 VDC (24 VDC nominal)	3.3 VDC	1'200 mA	76 %
TES 5-2411WI		5 VDC	1'000 mA	80 %
TES 5-2412WI		12 VDC	420 mA	83 %
TES 5-2413WI		15 VDC	335 mA	83 %
TES 5-2421WI		± 5 VDC	± 500 mA	80 %
TES 5-2422WI		± 12 VDC	± 210 mA	83 %
TES 5-2423WI		± 15 VDC	± 165 mA	83 %
TES 5-4810WI		18 – 75 VDC (48 VDC nominal)	3.3 VDC	1'200 mA
TES 5-4811WI	5 VDC		1'000 mA	80 %
TES 5-4812WI	12 VDC		420 mA	83 %
TES 5-4813WI	15 VDC		335 mA	83 %
TES 5-4821WI	± 5 VDC		± 500 mA	80 %
TES 5-4822WI	± 12 VDC		± 210 mA	83 %
TES 5-4823WI	± 15 VDC		± 165 mA	83 %



**Physical Specifications**

Case material	non conductive plastic (UL 94V-0 rated)
Package weight	14 g (0.49 oz)
Lead-free reflow solder process	as per IPC J-STD-020D
Moisture sensitivity level (MSL)	as per IPC J-STD-033B MSL report level 2 <a href="http://www.tracopower.com/products/tes5wi_msl-report.pdf">www.tracopower.com/products/tes5wi_msl-report.pdf</a> (publication pending)

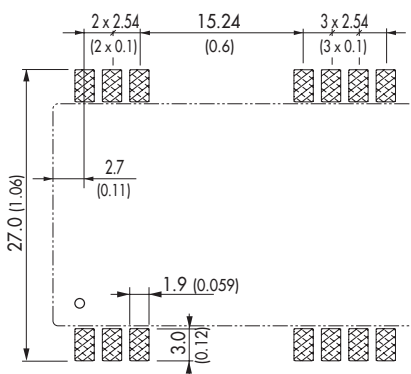
**Outline Dimensions**



Pin-Out		
Pin	Single	Dual
1	Remote On/Off	Remote On/Off
2	-Vin (GND)	-Vin (GND)
3	-Vin (GND)	-Vin (GND)
9	No con.	Common
10	No con.	No con.
11	No con.	-Vout
12	No con.	No con.
13	No con.	No con.
14	+Vout	+Vout
15	No con.	No con.
16	-Vout	Common
22	+Vin (Vcc)	+Vin (Vcc)
23	+Vin (Vcc)	+Vin (Vcc)
24	No con.	No con.

Dimensions in [mm], ( ) = Inch  
Tolerances ±0.25 (0.02)  
Pin pitch tolerances ±0.13 (0.005)

**Pin Patterns:**



Specifications can be changed any time without notice.