



PDT392SM Series Dual Digit 7 Segment SMD Display 0.39"

Features

- *Surface Mount Devise .39" (10mm)
Digit Height, Multiplex Drive
- *AllInGaP Ultra Bright Blue Chips used
- *Low Current Requirements
- *Uniform Light Output
- *IC Compatible
- *High Reliability
- *Gray Face, White Segments
- *Tape & Reel 1k pcs
- *RoHS Compliant

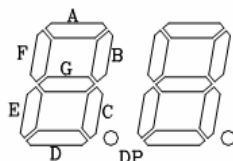
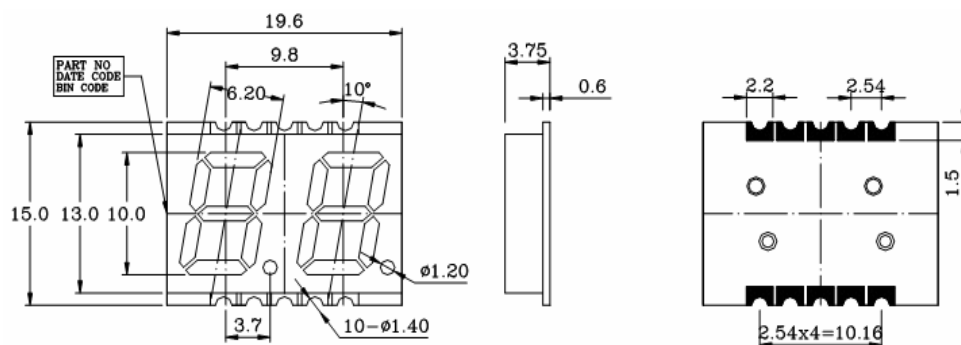
Absolute Maximum Ratings at T_A = 25°C

Power Dissipation per Segment.....	95mW
Reverse Voltage (<100 μA).....	5.0V
Max Forward Current.....	25mA
Peak Forward Current (1/10 Duty Cycle, 0.1ms Pulse Width).....	90mA
Operating Temperature Range.....	-40°C to +105°C
Storage Temperature Range.....	-40°C to +105°C
Soldering Temperature (1.6mm below body).....	260°C for 10 seconds

Electrical & Optical Characteristics at T_A = 25°C

Part Number		Emitting Color	Chip Material	Dominant Wave Length	Peak Wave Length	Forward Voltage @20mA (V)		Luminous Intensity @10mA (mcd)	
Common Anode	Common Cathode					nm	nm	Typ	Max
PDT392SM-CAMB17	PDT392SM-CCMB17	Blue	InGaN	470	—	3.3	3.9	5.0	11.0

All Dimensions are in **Millimeters**. Tolerance is ± 0.25mm unless otherwise specified.



Pin Function

Common Anode Pin #	Common Cathode Pin #
1 Cathode G	1 Anode G
2 Cathode DP	2 Anode DP
3 Cathode A	3 Anode A
4 Cathode F	4 Anode F
5 Com Anode Digit 2	5 Com Cathode Digit 2
6 Cathode D	6 Anode D
7 Cathode E	7 Anode E
8 Cathode C	8 Anode C
9 Cathode B	9 Anode B
10 Com Anode Digit 1	10 Com Cathode Digit 1