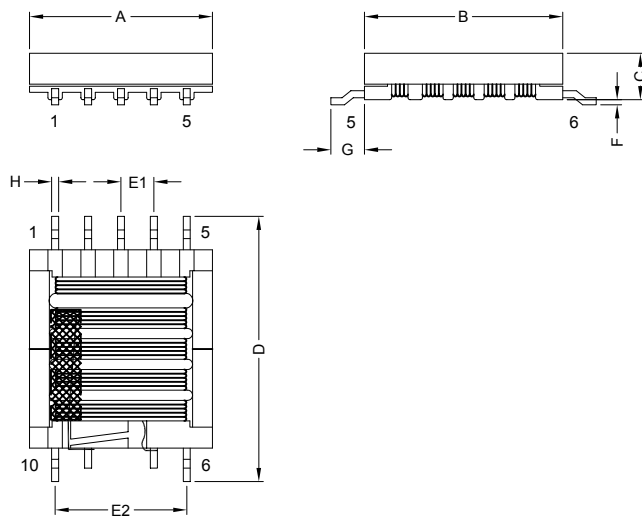


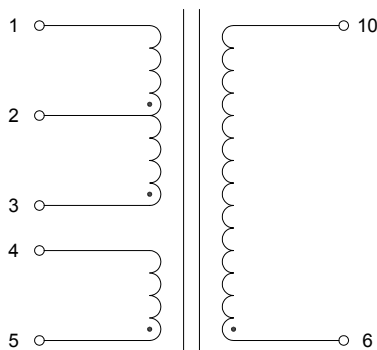
1. CONFIGURATION & DIMENSIONS :



Unit:m/m

A	B	C	D	E1	E2	F	G	H
16.50 Max.	21.00 Max.	7.10 Max.	26.00 Max.	2.54 Ref.	10.16 Ref.	0.10 Ref.	3.10 Ref.	SQ0.584 Ref.

2. SCHEMATIC :



3. SCHEMATIC :

- a) Bobbin : LCP
- b) Core : EFD15
- c) Wire : Mag Wire
- d) Tape : Polyester Film
- e) Varnish : Ripley 468-2FC
- f) Adhesive : Epoxy



RoHS Compliant

NOTE : Specifications subject to change without notice. Please check our website for latest information.

23.06.2008



SUPERWORLD ELECTRONICS (S) PTE LTD

4. GENERAL SPECIFICATION :

- a) Operating Temperature Range : -25°C to +105°C
- b) Insulation Class : B (130°C)

5. ELECTRICAL CHARACTERISTICS :

Part No.	Inductance (L)	Conditions	Test Frequency	DCR @ 25°C
EFDB5HSF-10427	L : (3-1) = 35uH ~ 53uH	-	10KHz 0.1V	(2-1) = 0.080Ω Max.
				(3-2) = 0.080Ω Max.
				(5-4) = 0.084Ω Max.
				(6-10) = 176Ω Max.



RoHS Compliant

NOTE : Specifications subject to change without notice. Please check our website for latest information.

23.06.2008



SUPERWORLD ELECTRONICS (S) PTE LTD