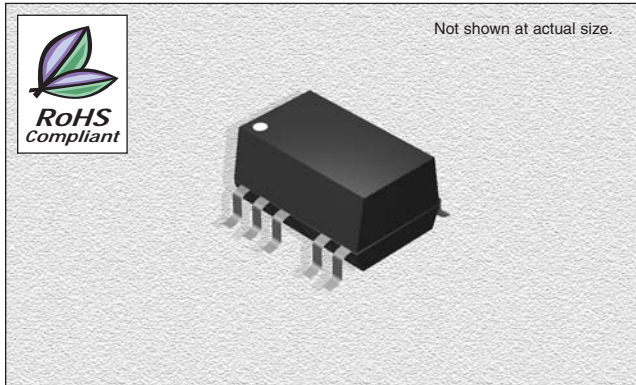


CTDD1507MF-SU3K-1 Series

Fixed Input Isolated & Unregulated
1W Output, Single Output



FEATURES

- Efficiency:** To 81%
- Temperature Range:** -40°C to 85°C
- Isolation:** 3KVDC
- Package:** UL94-V0
- Miscellaneous:** No heat sink required. No external component required. Industry standard pinout. Small footprint. High power density. Single voltage output. Custom service available.
- Samples available.**

CHARACTERISTICS

- Short Circuit Protection:** 1 second
- Temperature Rise at Full Load:** 25°C Max. 15°C Typ.
- Cooling:** Free air convection
- Operating Temperature Range:** -40°C to +85°C
- Storage Temperature Range:** -55°C to +125°C
- Lead Temperature:** 300°C (1.5mm from case for 10 seconds)
- Storage Humidity Range:** ≤ 95%
- Case Material:** Plastic (UL94-V0)
- MTBF:** >3,500,000 hours
- Miscellaneous:** RoHS Compliant.

SPECIFICATIONS

Part Number	Vin Nom. (VDC)	Input Range (VDC)	Vout (VDC)	Iout Max. (mA)	Iout Min. (mA)	Effi. Typ. (%)
CTDD1507MF-0303-SU3K-1	3.3	3.0-3.6	3.3	300	30	72
CTDD1507MF-0305-SU3K-1	3.3	3.0-3.6	5	200	20	73
CTDD1507MF-0503-SU3K-1	5	4.5-5.5	3.3	300	30	74
CTDD1507MF-0505-SU3K-1	5	4.5-5.5	5	200	20	70
CTDD1507MF-0509-SU3K-1	5	4.5-5.5	9	111	12	75
CTDD1507MF-0512-SU3K-1	5	4.5-5.5	12	84	9	78
CTDD1507MF-0515-SU3K-1	5	4.5-5.5	15	67	7	80
CTDD1507MF-1203-SU3K-1	12	10.8-13.2	3.3	300	30	75
CTDD1507MF-1205-SU3K-1	12	10.8-13.2	5	200	20	72
CTDD1507MF-1209-SU3K-1	12	10.8-13.2	9	111	12	76
CTDD1507MF-1212-SU3K-1	12	10.8-13.2	12	84	9	79
CTDD1507MF-1215-SU3K-1	12	10.8-13.2	15	67	7	81

ISOLATION SPECIFICATIONS

Item	Test Condition	MIN	TYP	MAX	Units
Isolation Voltage	Tested for 1 minute	3000			VDC
Isolation Resistance	Test at 500VDC	1000			MΩ

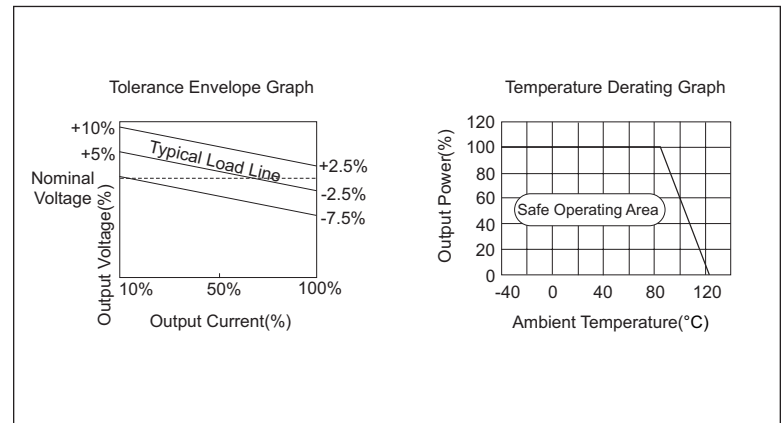
OUTPUT SPECIFICATIONS

Item	Test Condition	MIN	TYP	MAX	Units
Output Power		0.1		1	W
Line regulation	For Vin change of 1%			1.2	%
Load regulation	10% to 100% load(5V output)		12.8	15	%
	10% to 100% load(9V output)		8.3	9.0	%
	10% to 100% load(12V output)		6.8	7.5	%
	10% to 100% load(15V output)		6.3	7.0	%
Output voltage accuracy	See tolerance envelope graph				
Temperature drift	100% full load			0.03	%/°C
Output ripple	20MHz Bandwidth		75	150	mVp-p
Switching frequency	Full load, nominal input		100		KHz

Note:

1. All specifications measured at TA=25°C, humidity<75%, nominal input voltage and rated output load unless otherwise specified.

TYPICAL CHARACTERISTICS

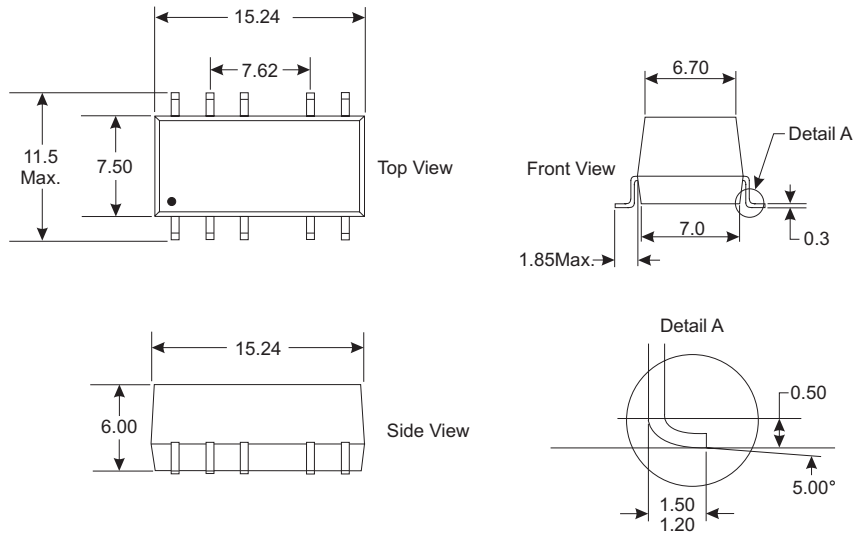


08.16.06

CTDD1507MF-SU3K-1 Series

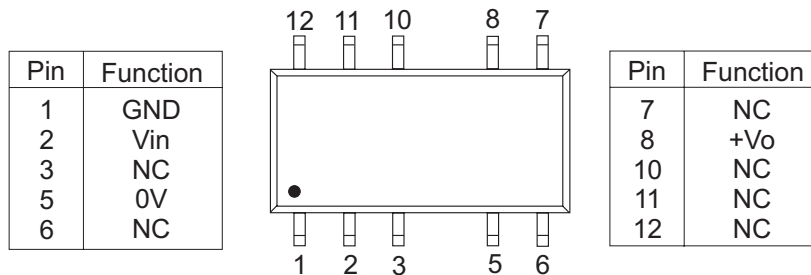
Fixed Input Isolated & Unregulated
1W Output, Single Output

OUTLINE DIMENSIONS & RECOMMENDED FOOTPRINT DETAILS



Note: All pins on a 2.54mm pitch; all pin diameters are 0.50mm; all dimensions in mm

PIN CONNECTIONS



08.16.06