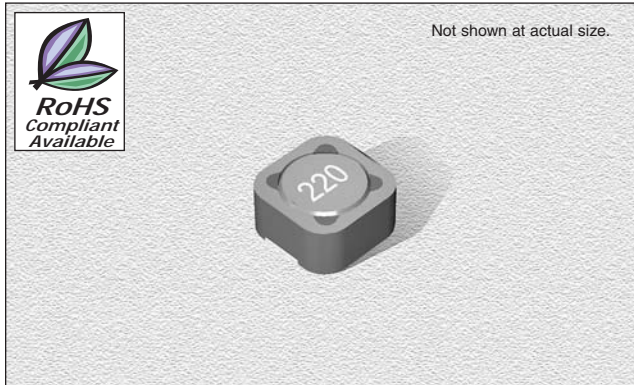


# CTCDRH74B Series

From 10  $\mu$ H to 1,000  $\mu$ H



## SPECIFICATIONS

Parts are available in  $\pm 20\%$  tolerance only.  
 CTCDRH74BE Please specify "F" for RoHS compliant

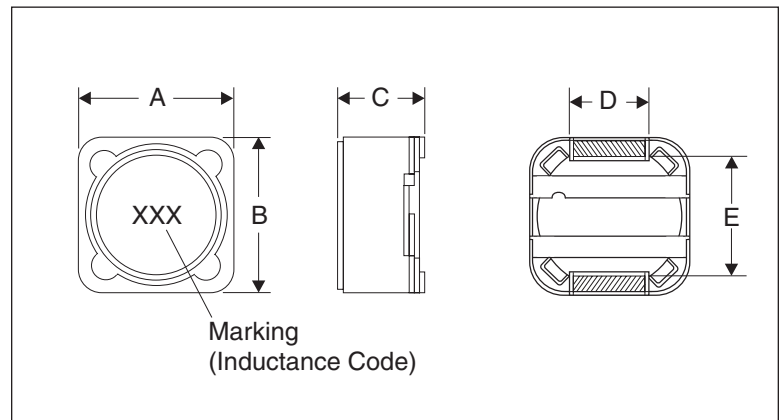
Part Number	Inductance ( $\mu$ H)	L Test Freq. (kHz)	DCR Max. ( $\Omega$ )	IDC Max. (A)
CTCDRH74B_-100M	10	1.0	.05	1.9
CTCDRH74B_-120M	12	1.0	.06	1.7
CTCDRH74B_-150M	15	1.0	.08	1.5
CTCDRH74B_-180M	18	1.0	.09	1.3
CTCDRH74B_-220M	22	1.0	.11	1.2
CTCDRH74B_-270M	27	1.0	.15	1.1
CTCDRH74B_-330M	33	1.0	.17	.96
CTCDRH74B_-390M	39	1.0	.23	.91
CTCDRH74B_-470M	47	1.0	.26	.88
CTCDRH74B_-560M	56	1.0	.35	.75
CTCDRH74B_-680M	68	1.0	.38	.69
CTCDRH74B_-820M	82	1.0	.43	.61
CTCDRH74B_-101M	100	1.0	.61	.60
CTCDRH74B_-121M	120	1.0	.66	.52
CTCDRH74B_-151M	150	1.0	.88	.46
CTCDRH74B_-181M	180	1.0	.98	.42
CTCDRH74B_-221M	220	1.0	1.2	.36
CTCDRH74B_-271M	270	1.0	1.6	.34
CTCDRH74B_-331M	330	1.0	1.9	.32
CTCDRH74B_-391M	390	1.0	2.9	.29
CTCDRH74B_-471M	470	1.0	3.0	.26
CTCDRH74B_-561M	560	1.0	3.6	.23
CTCDRH74B_-681M	680	1.0	4.6	.22
CTCDRH74B_-821M	820	1.0	5.2	.20
CTCDRH74B_-102M	1000	1.0	6.0	.18

## CHARACTERISTICS

- Description:** SMD (shielded) power inductor
- Applications:** Power supplies for VTR, OA equipment, LCD televisions, PC notebooks, portable communication equipment, DC/DC converters, etc.
- Operating Temperature:**  $-40^{\circ}\text{C}$  to  $+85^{\circ}\text{C}$
- Inductance Tolerance:**  $\pm 20\%$
- Testing:** Inductance is tested on an HP4284A at 1.0 kHz
- Packaging:** Tape & Reel
- Marking:** Parts are marked with inductance code
- Miscellaneous:** RoHS Compliant available. Magnetically shielded
- Additional Information:** Additional electrical & physical information available upon request
- Samples available.** See website for ordering information.

## PHYSICAL DIMENSIONS

Size	A Max.	B Max.	C Max.	D	E
mm	7.5	7.5	4.5	2.7 $\pm$ 0.2	5.1 $\pm$ 0.2
inches	0.3	0.3	0.18	0.11 $\pm$ 0.008	0.20 $\pm$ 0.008



01.14.05