

SPECIFICATION FOR APPROVAL

Product Name	Power Transformer (Lead Free)	Page	1
Superworld Part No:	A41 (F) Series	Rev No	0

Features

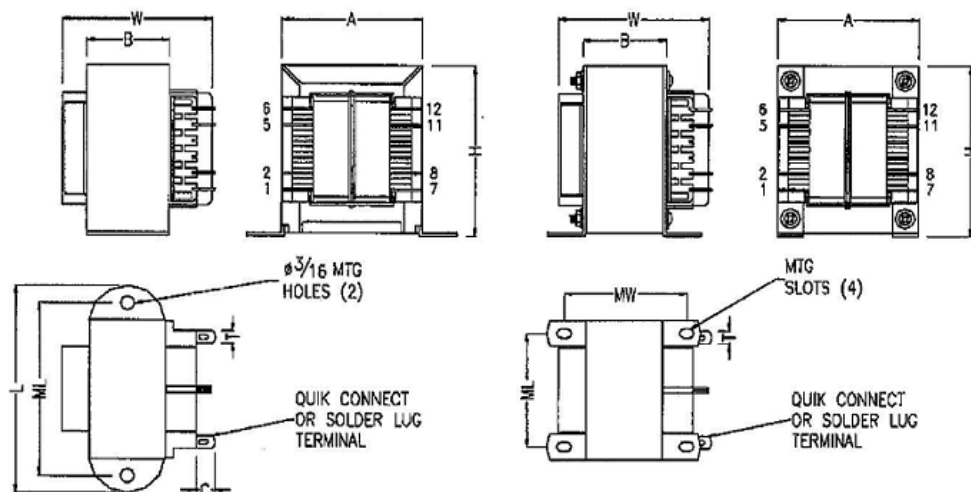
Bobbins and shroud made of material to meet UL94V-0 flammability requirements.

Insulating shroud provides 4000V RMS test voltage.

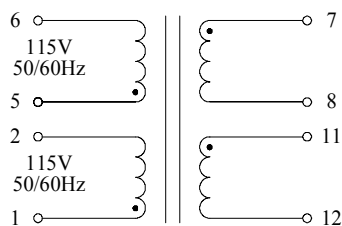
Mechanical Drawing

A41 STYLE A

A41 STYLE B



Schematic



Mechanical Dimensions

VA	WT	L	W	H	A	B	C	T	ML	MW	MTG	STYLE
25	1.25	2.812	1.875	2.312	2.000	1.125	0.312	0.187	2.375	-	#6	A
43	1.60	3.125	2.062	2.687	2.250	1.125	0.312	0.187	0.187	-	#6	A
80	2.80	2.500	2.375	3.000	-	1.375	0.312	0.187	0.187	2.18	#6	B
130	4.10	2.812	2.875	3.375	-	1.625	0.375	0.250	0.250	2.50	#8	B
175	6.50	3.125	2.875	3.750	-	1.625	0.375	0.250	0.250	2.50	#8	B



RoHS Compliant



SUPERWORLD ELECTRONICS (S) PTE LTD

SPECIFICATION FOR APPROVAL

Product Name	Power Transformer (Lead Free)	Page	2
Superworld Part No:	A41 (F) Series	Rev No	0

Electrical Characteristics :

Part Number	Size VA	Secondary Rms Rating	
		Series	Parallel
A41-25-10	25	10V C.T. @ 2.50A	5V @ 5.00A
A41-43-10	43	10V C.T. @ 4.30A	5V @ 8.60A
A41-80-10	80	10V C.T. @ 8.00A	5V @ 16.00A
A41-130-10	130	10V C.T. @ 13.00A	5V @ 26.00A
A41-175-10	175	10V C.T. @ 17.50A	5V @ 35.00A
A41-25-12	25	12.6V C.T. @ 2.00A	6.3V @ 4.00A
A41-43-12	43	12.6V C.T. @ 3.40A	6.3V @ 6.80A
A41-80-12	80	12.6V C.T. @ 6.30A	6.3V @ 12.60A
A41-130-12	130	12.6V C.T. @ 10.30A	6.3V @ 20.60A
A41-175-12	175	12.6V C.T. @ 14.00A	6.3V @ 28.00A
A41-25-16	25	16V C.T. @ 1.60A	8V @ 3.20A
A41-43-16	43	16V C.T. @ 2.70A	8V @ 5.40A
A41-80-16	80	16V C.T. @ 5.00A	8V @ 10.00A
A41-130-16	130	16V C.T. @ 8.10A	8V @ 16.20A
A41-175-16	175	16V C.T. @ 11.00A	8V @ 22.00A
A41-25-20	25	20V C.T. @ 1.25A	10V @ 2.50A
A41-43-20	43	20V C.T. @ 2.20A	10V @ 4.40A
A41-80-20	80	20V C.T. @ 4.00A	10V @ 8.00A
A41-130-20	130	20V C.T. @ 6.50A	10V @ 13.00A
A41-175-20	175	20V C.T. @ 8.80A	10V @ 17.60A
A41-25-24	25	24V C.T. @ 1.00A	12V @ 2.00A
A41-43-24	43	24V C.T. @ 1.80A	12V @ 3.60A
A41-80-24	80	24V C.T. @ 3.30A	12V @ 6.60A
A41-130-24	130	24V C.T. @ 5.40A	12V @ 10.80A
A41-175-24	175	24V C.T. @ 7.30A	12V @ 14.60A
A41-25-28	25	28V C.T. @ 0.90A	14V @ 1.80A
A41-43-28	43	28V C.T. @ 1.50A	14V @ 3.00A
A41-80-28	80	28V C.T. @ 2.80A	14V @ 5.60A
A41-130-28	130	28V C.T. @ 4.60A	14V @ 9.20A
A41-175-28	175	28V C.T. @ 6.25A	14V @ 12.50A
A41-25-36	25	36V C.T. @ 0.70A	18V @ 1.40A
A41-43-36	43	36V C.T. @ 1.20A	18V @ 2.40A
A41-80-36	80	36V C.T. @ 2.20A	18V @ 4.40A
A41-130-36	130	36V C.T. @ 3.60A	18V @ 7.20A
A41-175-36	175	36V C.T. @ 4.80A	18V @ 9.60A
A41-25-230	25	230V C.T. @ 0.11A	115V @ 0.22A
A41-43-230	43	230V C.T. @ 0.19A	115V @ 0.38A
A41-80-230	80	230V C.T. @ 0.35A	115V @ 0.70A
A41-130-230	130	230V C.T. @ 0.57A	115V @ 1.14A
A41-175-230	175	230V C.T. @ 0.76A	115V @ 1.52A



RoHS Compliant



SUPERWORLD ELECTRONICS (S) PTE LTD