

Features & Benefits

- Fully compatible with ANSI FDDI standard
- Floating and self-aligning ferrule design
- Positive latching mechanism
- Color coded keying for service identification
- Pre-polished and pre-radiused ferrules
- Variety of adapters:
FDDI to ST*
Flange mount or snap mount
Zirconia or polymer alignment sleeves

Applications

- Duplex fiber optic system
- Building wiring
- FDDI backbone network
- IEEE 802.4 token bus

The American National Standards Institute (ANSI) developed a standard that provides for flexible, robust high-performance local area networks. This high-speed, 100 megabit per second standard is called the Fiber Distributed Data Interface (FDDI). In support of this standard, Molex has developed its FDDI family of fiber optic connector and adapter products.

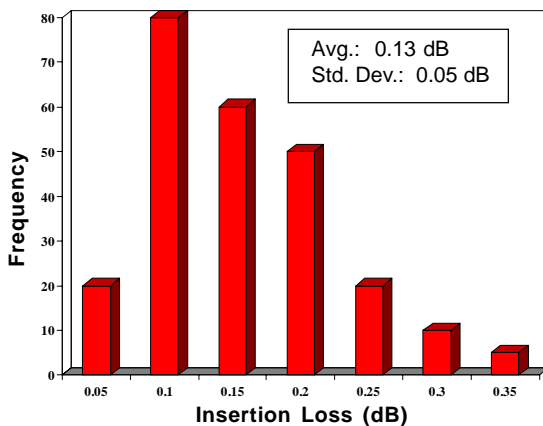
The Molex family of FDDI connectors utilize pre-polished and pre-radiused ferrules. When combined with the unique Molex termination process, these connectors produce quick and consistent FDDI terminations. The type of port and service on the connector is easily identified by the color coded and polarized keys provided with these connectors.

Adapters are available in a variety of mating and mounting configurations. All are made of strong and durable engineering polymers and have either precision zirconia ceramic or polymer alignment sleeves. Polarity maintaining and color coded keys, that are compatible with the port designation on the connector, are provided with the adapters.

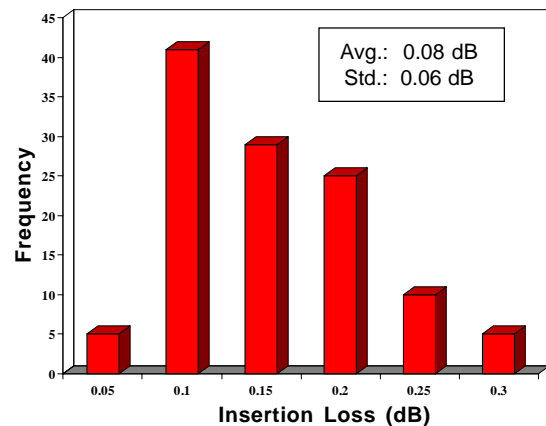
*ST is a trademark of Lucent Technologies

Optical Performance Distribution

Insertion Loss Performance
(MM enhanced ferrule, 62.5/125µm fiber)



Insertion Loss Difference Between Two Channels
(MM enhanced ferrule, 62.5/125µm fiber)

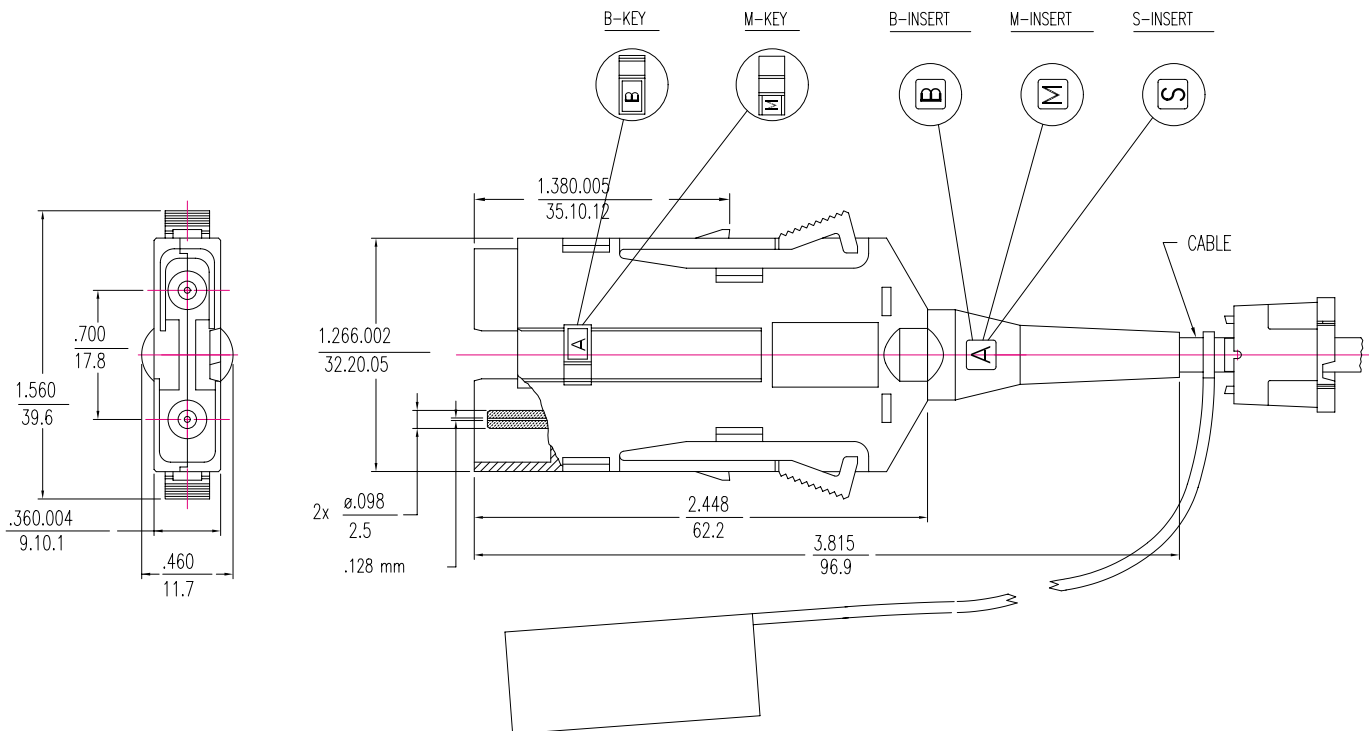


Performance and Specifications

Characteristics	Units	Min.	Typ.	Max.	Comments
Durability	~dB	-	-	0.1	FOTP-21A, 1000 cycles cleaning every 100 cycles
Temperature Range:					
Storage	°C	-40	-	+80	May be further limited by cable specifications
Operating	°C	-40	-	+80	May be further limited by cable specifications
Thermal Shock	~dB	-	-	0.1	-40°C to +60°C, 10 cycles
Temperature Cycling	~dB	-	-	0.1	-40°C to +80°C, 40 cycles
Humidity Cycling	~dB	-	-	0.1	FOTP-5, type 1 +60°C at 95% RH for 504 hours
Cable Retention	~dB	-	-	0.2	FOTP-6, 50 lb. load without adhesive

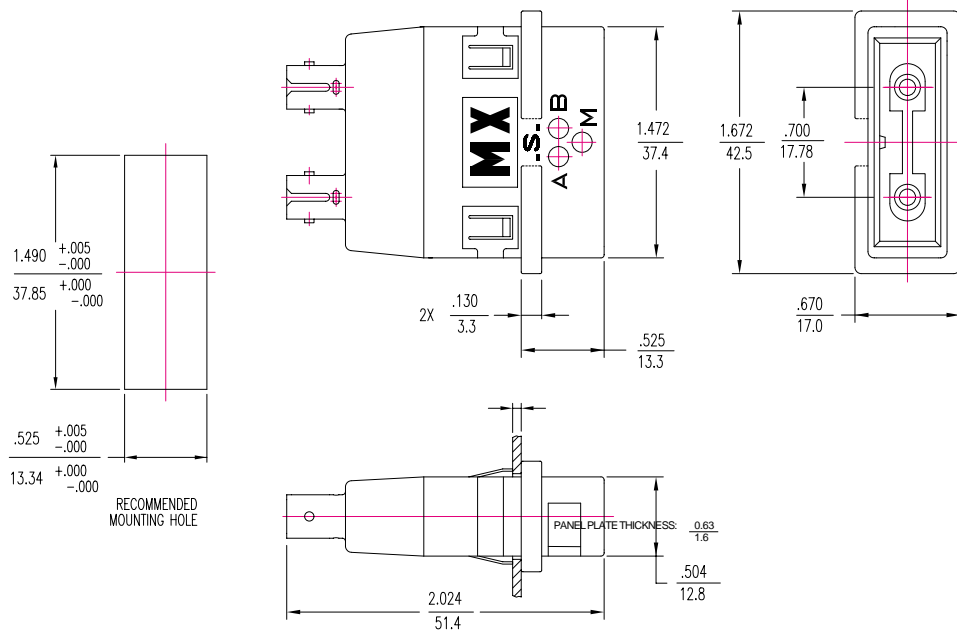
Mechanical Dimensions

FDDI Connector

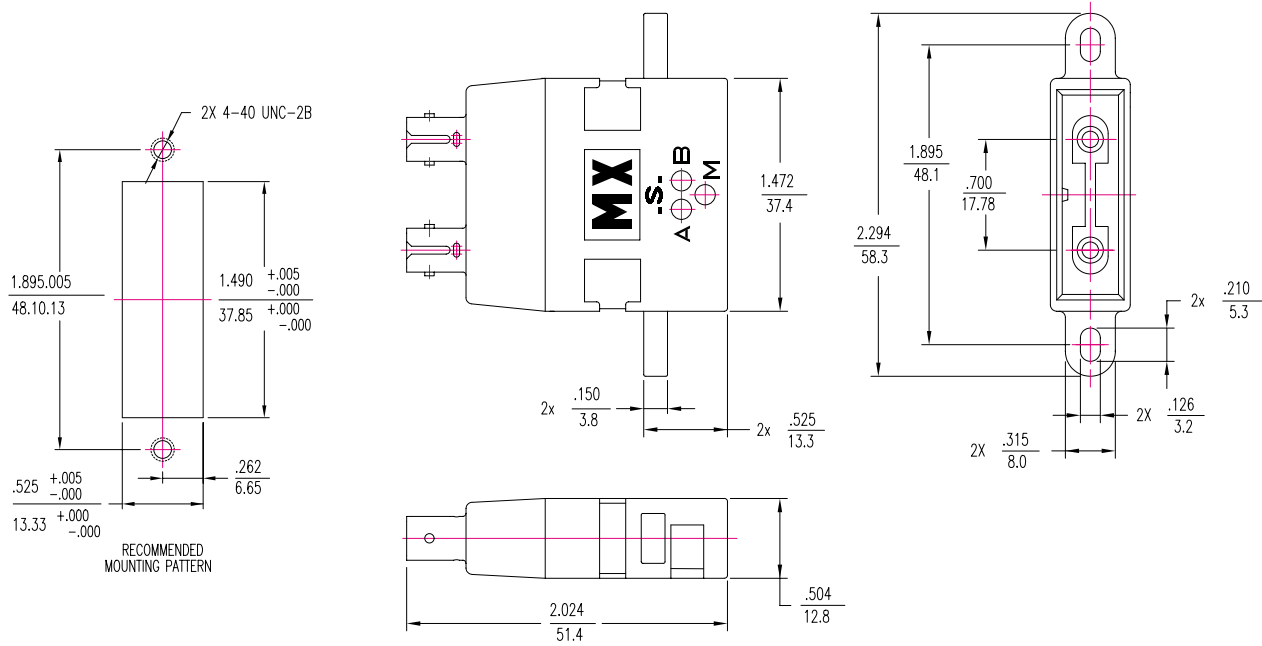


Mechanical Dimensions

FDDI to ST Adapter, Snap-In Mount Style



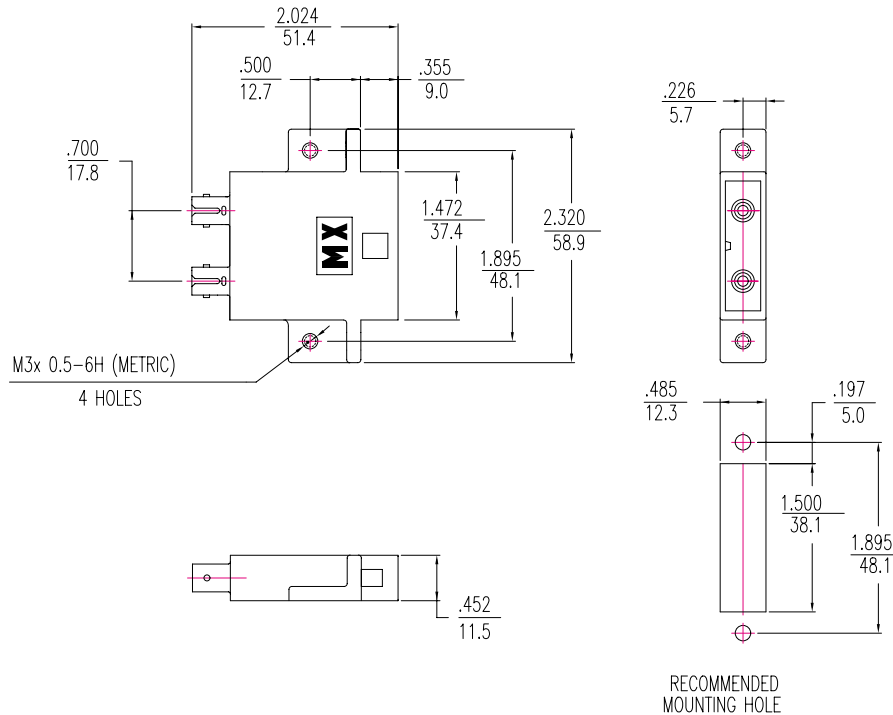
FDDI to ST Adapter, Flange Mount Style



All dimensions in **INCHES**
mm

Mechanical Dimensions

FDDI-ST Adapter, Threaded Mount Style



Standard Part Numbers

Order Number	Description	Hole size "D"	Cable size
86030-0000	FDDI connector, MM, zirconia PC ⁺ ferrule	127µm	4.2mm
86030-0100	FDDI connector, MM, zirconia PC ⁺ ferrule	127µm	4.8mm
86030-0200	FDDI connector, MM, zirconia PC ⁺ ferrule	127µm	zipcord
86030-0300	FDDI connector, MM, zirconia PC ⁺ ferrule	127µm	4.2mm plenum
86030-3000	FDDI connector, MM, zirconia PC ferrule, enhanced	128µm	4.2mm
86030-3100	FDDI connector, MM, zirconia PC ferrule, enhanced	128µm	4.8mm
86030-3200	FDDI connector, MM, zirconia PC ferrule, enhanced	128µm	zipcord
86030-3300	FDDI connector, MM, zirconia PC ferrule, enhanced	128µm	4.2mm plenum
86130-3200	FDDI-ST adapter, ceramic sleeve, threaded mount style, A key		
86130-4200	FDDI-ST adapter, ceramic sleeve, threaded mount style, B key		
86130-5200	FDDI-ST adapter, ceramic sleeve, threaded mount style, S key		
86130-6200	FDDI-ST adapter, ceramic sleeve, threaded mount style, M key		
86133-3200	FDDI-ST adapter, polymer sleeve, threaded mount style, A key		
86133-4200	FDDI-ST adapter, polymer sleeve, threaded mount style, B key		
86133-5200	FDDI-ST adapter, polymer sleeve, threaded mount style, S key		
86133-6200	FDDI-ST adapter, polymer sleeve, threaded mount style, M key		
86130-0500	FDDI-ST adapter, zirconia alignment sleeve, snap-in mount style, removable keys		
86130-0600	FDDI-ST adapter, zirconia alignment sleeve, flange mount style, removable keys		
86133-0500	FDDI-ST adapter, polymer alignment sleeve, snap-in mount style, removable keys		
86133-0600	FDDI-ST adapter, polymer alignment sleeve, flange mount style, removable keys		