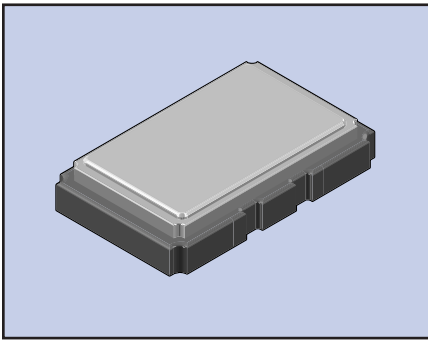


VC-TXO-35SM SERIES VC-TCXO



The VC-TXO-35SM is a VC (Voltage Controlled) TCXO (Temperature Compensated Crystal Oscillator) featuring very tight stability over a wide temperature range. The small subminiature SMD ceramic package measures 3.2 x 5.0 x 1.5 mm. The voltage control has a tuning range of ± 5 ppm minimum. The low profile package is ideal for wireless communications applications.

FEATURES

- Highly stable output
- Wide temperature
- Voltage control function
- Small footprint
- Tape and Reel (1,000 pcs.)
- PbFree/RoHS Compliant

PART NUMBERING GUIDE

SERIES	FREQUENCY	STABILITY / TEMPERATURE OPTION
VC-TXO-35SM	128	B

Sample Part Number: VC-TXO35SM-128-B, 128=12.8 MHz, B= ± 2.5 ppm -30 to +75°C

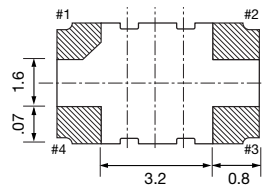
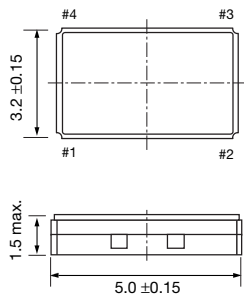
STANDARD FREQUENCIES

13.000, 14.400, 16.800 AND 19.440 MHz

OPERATING CONDITIONS/ELECTRICAL CHARACTERISTICS

PARAMETERS	CONDITIONS	VC-TXO-3SM (5V)			UNITS
		MIN	TYP	MAX	
FREQUENCY RANGE		12.000		26.000	MHz
FREQUENCY STABILITY/TEMP	(OPTION A) OPER. TEMP. -20 ~ +75°C			± 1.5	PPM
	(OPTION B) OPER. TEMP. -30 ~ +75°C			± 2.5	PPM
	(OPTION C) OPER. TEMP. -20 ~ +75°C			± 2.5	PPM
	(OPTION D) OPER. TEMP. -30 ~ +80°C			± 2.5	PPM
SUPPLY VOLTAGE CHANGE	+3.0 V $\pm 5\%$			± 0.3	PPM
LOAD CHANGE	10k Ω $\pm 10\%$ / 10pF $\pm 10\%$			± 0.2	PPM
AGING	Per Year @ +25°C ± 3 °C			± 1	PPM
STORAGE TEMPERATURE		-40		+85	°C
SUPPLY VOLTAGE	+3.0 V DC Nominal	+2.85	+3.0	+3.15	V DC
INPUT CURRENT	Without Load			1.5	mA
OUTPUT VOLTAGE	Clipped sine wave (DC-Cut)	0.8			Vp-p
OUTPUT LOAD	10k Ω $\pm 10\%$ / 10pF $\pm 10\%$				
FREQUENCY CONTROL RANGE	+1.5 V DC ± 1 V Positive Slope	± 9		± 15	PPM
CONTROL VOLTAGE		+0.5	+1.5	+2.5	V

PACKAGE DIMENSIONS (mm)



PAD CONNECTIONS	
#1	VCONTROL
#2	GND
#3	OUTPUT
#4	VCC

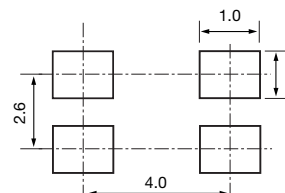


Figure 1) VC-TXO-35SM Top, Side and Bottom views

Figure 2) Land Pattern