

SKY77181 Power Amplifier Module for WCDMA / HSDPA (880–915 MHz)


Applications

- WCDMA Handsets
- HSDPA Handsets
- Personal Communications Services (PCS)
- Wireless local loop (WLL)

Features

- No V_{REF} required
- Low voltage positive bias - 3.1 V to 4.6 V
- Supports low collector voltage operation
- Good linearity
- High efficiency at all power levels (13.5% at 15 dBm)
- Large dynamic range
- Low Profile package - 3 x 3 x 1.1 mm
- 8-pad configuration
- Power down control
- InGaP
- Digital V_{ENABLE}
- Digital or Analog $V_{CONTROL}$

NEW Skyworks offers lead (Pb)-free, RoHS (Restriction of Hazardous Substances)-compliant packaging.



Description

The SKY77181 Power Amplifier module is a fully matched 8-pad surface mount module developed for Wideband Code Division Multiple Access (WCDMA) applications. This small and efficient power amplifier packs full coverage of the 880–915 MHz bandwidth into a single compact package. The SKY77181 meets the stringent spectral linearity requirements of High Speed Downlink Packet Access (HSDPA) data transmission with high power added efficiency for power output of up to 28 dBm. Because of high efficiencies attained throughout the entire power range, the SKY77181 delivers unsurpassed talk-time advantages.

The single Gallium Arsenide (GaAs) Microwave Monolithic Integrated Circuit (MMIC) contains all active circuitry in the module. The MMIC includes on-board bias circuitry, as well as input and interstage matching circuits. The output match is realized off-chip within the module package to optimize efficiency and power performance into a 50 Ω load. This device is manufactured with Skyworks' InGaP GaAs Heterojunction Bipolar Transistor (HBT) process that provides for all positive voltage DC supply operation while maintaining high efficiency and good linearity. Primary bias to the SKY77181 is supplied directly from a three-cell Ni-Cd, a single-cell Li-Ion, or other suitable battery with an output in the 3.1 to 4.6 volt range. No V_{REF} voltage is required. Power down is accomplished by setting the voltage on V_{ENABLE} to zero volts. Digital bias control can be used to optimize efficiency at high and low power or analog bias control can be used to optimize efficiency over the entire power range. No external supply side switch is needed as typical "off" leakage is a few microamperes with full primary voltage supplied from the battery.

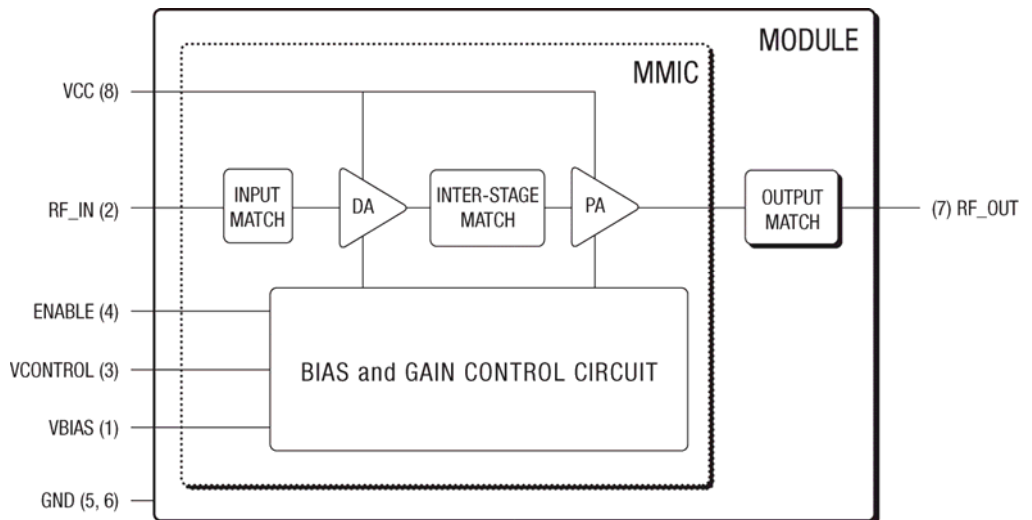


Figure 1. SKY77181 Functional Block Diagram

200643_001

Electrical Target Specifications

The following tables list the electrical characteristics of the SKY77181 Power Amplifier. [Table 1](#) lists the absolute maximum ratings, while [Table 2](#) shows the recommended operating conditions to achieve the performance characteristics for WCDMA and HSDPA listed, respectively, in [Table 4](#) and [Table 6](#).

[Table 3](#) lists the recommended Supply and Control voltage conditions over Output Power. Standard test configurations for WCDMA and HSDPA are shown in [Table 5](#) and [Table 7](#), respectively,.

Table 1. Absolute Maximum Ratings¹

Parameter	Symbol	Minimum	Maximum	Unit
RF Input Power	P _{IN}	—	9	dBm
Supply Voltage	V _{CC} , V _{BIAS} (no RF)	—	7	Volts
Control Voltage	V _{CONT}	0	1.5	Volts
Enable Voltage	V _{EN}	—	3	Volts
Case Temperature	Operating	T _{CASE}	110	°C
	Storage	T _{STG}	125	
Ruggedness – no damage ²	R _U	—	10:1	VSWR

¹ No damage assuming only one parameter is set at limit at a time with all other parameters set at nominal value.

² P_{O_MAX}, all phases, time = 10 sec, continuous modulated signal.

Table 2. Recommended Operating Conditions

Parameter	Symbol	Minimum	Nominal	Maximum	Unit
RF Output Power	WCDMA	P _{O_MAX}	—	28.5	dBm
	HSDPA		—	28.0	
Operating Frequency	F ₀	880.0	897.5	915.0	MHz
Supply Voltage ¹	V _{BATT}	V _{CC}	3.1	3.4	Volts
	DC/DC		0.5	3.4	
Bias Voltage	V _{BIAS}	3.4	3.6	4.6	Volts
Enable Voltage	PA On	V _{EN}	1.3	—	Volts
	PA Off		0.0	0.4	
V _{CONTROL} Range	V _{CONT}	0.6	—	1.2	Volts
Load Mismatch (all angles)	VSWR	—	1	—	VSWR
Case Operating Temperature	T _{CASE}	–20	+25	+85	°C

¹ When V_{CC} supply is 3.1 V, P_{O_MAX} must be backed off 1 dB.

Table 3. Recommended Supply Voltage (V_{CC}) and Control Voltage (V_{CONT}) Conditions Over Output Power (P_O)

P _{SET} (dBm)		V _{CONT}	V _{CC}
WCDMA	HSDPA		
-20	-21	0.72	1.15
-10	-11	0.72	1.15
-5	-6	0.81	1.17
0	-1	0.92	1.20
5	4	1.05	1.25
10	9	1.05	1.45
15	14	1.10	1.63
20	19	1.10	2.00
23	22	1.10	2.35
25	24	1.10	2.70
26	25	1.10	2.85
27	26	1.10	3.10
28	27	1.10	3.40
28.5	28	1.10	3.40

Table 4. SKY77181 Electrical Specifications for WCDMA — Recommended Operating Conditions ¹
Refer to Table 5. Standard Test Configuration — WCDMA Voice Mode (Uplink Reference Measurement Channel: 12.2 kbps)

<i>WCDMA (Wideband Code Division Multiple Access) ²</i>							
Characteristics		Symbol	Condition	Minimum	Typical	Maximum	Unit
Gain Conditions	High Power	G _{HIGH}	P _{0_MAX}	27.0	30.0	33.0	dB
	Low Power	G _{LOW}	P ₀ = -10 dBm	12.5	16.0	19.5	
Gain Variation Over Frequency			Fixed V _{CC} , Temp, P _{IN}	—	—	1	dB
Power Added Efficiency	High Power	PAE _{HIGH}	P _{0_MAX} T _{CASE} = +25 °C	36.0	—	—	%
	Low Power	PAE _{LOW}	P ₀ = 15 dBm T _{CASE} = +25 °C	12.5	—	—	
Error Vector Magnitude		EVM	—	—	—	5	%
Adjacent Channel Leakage power Ratio ³	5 MHz	ACLR1_H	P _{0_MAX}	—	-38.0	-35.5	dBc
		ACLR1_L	P ₀ ≤ 9 dBm	—	-45.0	-42.0	
	10 MHz	ACLR2_H	P _{0_MAX}	—	-50.0	-48.0	
		ACLR2_L	P ₀ ≤ 9 dBm	—	-56.0	-53.0	
Harmonic Suppression	Second	f _{H2}	V _{CC} = 3.4 V	—	-8	0	dBm/1 MHz
	Third	f _{L3}		—	-46	-30	
Noise Power		P _{N_WRX}	Band VIII_RX: 925–960 MHz, 45 MHz duplex	—	-90	-88	dBm/30 kHz
		P _{N_WRX2}	WCDMA _{RX} = 925 MHz WCDMA _{TX} = 915 MHz	—	-69	-65	
		P _{N_GPS}	A-GPS Band: 1570–1580 MHz	—	-110	-100	
		P _{N_DCS}	WCDMA _{RX} = 1805–1880 MHz	—	-111	-100	
		P _{N_UMTS}	2110–2170 MHz	—	-112	-100	
		P _{N_BT1}	2400–2480 MHz	—	-107	-90	
Input Voltage Standing Wave Ratio (VSWR)		VSWR	—	—	1.5	2.0	—
Stability		S	VSWR = 6:1 all phases	—	—	-46	dBm
Total Current		I _{TOTAL}	P _{0_MAX}	—	550	578	mA
Quiescent Current		I _Q	V _{CC} = 1.5 V V _{CONT} = 1.0 V, no RF	—	50	75	mA
Control Current		I _{CONT}	—	—	—	500	μA
Digital Enable Current		I _{EN}	V _{EN} ≥ 1.0 V	—	—	5	μA
Leakage Current		I _{LEAK}	V _{REF} = off V _{EN} = off	—	5	10	μA

¹ Refer to conditions in Table 2 and Table 3, unless otherwise specified.

² Data in this Table were verified with the signal configuration shown in Table 5.

³ ACLR is specified per 3GPP as the ratio of total in-band power to adjacent power, both measured in 3.84 MHz bandwidth at specified offsets.

Table 5. Standard Test Configuration — WCDMA Voice Mode (Uplink Reference Measurement Channel: 12.2 kbps)

Parameter	Level	Spread Code	Spread Factor	I/Q	β_c	β_d	β_{hs}	Relative Power
Information Bit Rate	12.2 kbps	—	—	—	—	—	—	—
DPCCH	15.0 kbps	0	256	Q	8/15	—	—	-6.57 dB
DPDCH	60.0 kbps	16	64	I	—	15/15	—	-1.087 dB
TFCI	ON	—	—	—	—	—	—	—

Table 6. SKY77181 Electrical Specifications for HSDPA — Recommended Operating Conditions¹

Refer to Table 7: Standard Test Configuration — HSDPA Mode

<i>HSDPA (High Speed Downlink Packet Access)²</i>							
Characteristics		Symbol	Condition	Minimum	Typical	Maximum	Unit
Gain Conditions	High Power	G _{HIGH}	P _{0_MAX}	27.0	30.0	33.0	dB
	Low Power	G _{LOW}	P ₀ = -10 dBm	12.5	16.0	19.5	
Gain Variation Over Frequency			Fixed V _{CC} , Temp.	—	—	1	dB
Power Added Efficiency	High Power	PAE _{HIGH}	P _{0_MAX} T _{CASE} = +25 °C	34.0	36.0	—	%
	Low Power	PAE _{LOW}	P ₀ = 14 dBm T _{CASE} = +25 °C	11.0	12.0	—	
Error Vector Magnitude		EVM	—	—	—	5	%
Adjacent Channel Leakage power Ratio ³	5 MHz offset	ACLR1_H	P _{0_MAX}	—	-38.0	-35.5	dBc
		ACLR1_L	V _{CONT} = 15 V P ₀ = 9 dBm	—	-45.0	-42.0	
	10 MHz offset	ACLR2_H	P _{0_MAX}	—	-52.0	-48.0	
		ACLR2_L	V _{CONT} = 15 V P ₀ = 9 dBm	—	-60.0	-53.0	

¹ Refer to condition in Table 2 and Table 3, unless otherwise specified.

² Data in this Table were verified with the signal configuration shown in Table 7.

³ ACLR is specified per 3GPP as the ratio of in-band power to adjacent power, both measured in 3.84 MHz bandwidth at specified offsets.

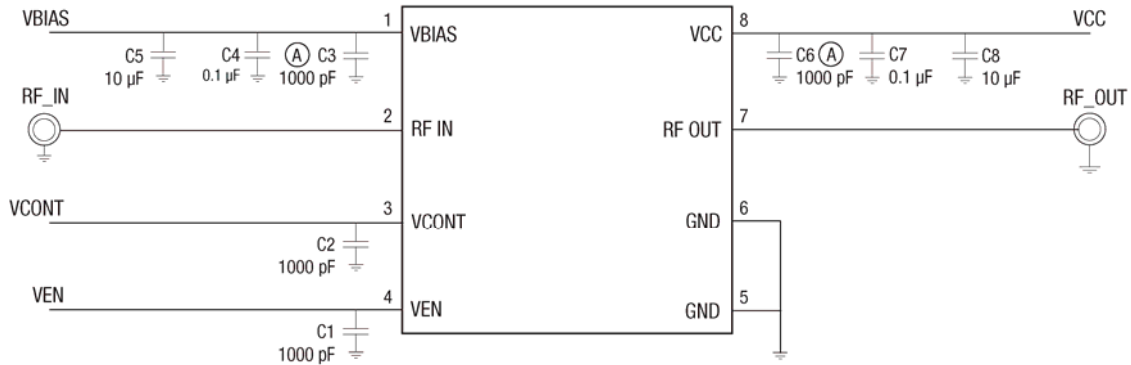
Table 7. Standard Test Configuration — HSDPA Mode

Parameter	Level	Spread Code	Spread Factor	I/Q	β_c	β_d	β_{hs}	Relative Power
DPCCH	15 kbps	0	256	Q	12/15	—	—	-8.17 dB
DPDCH	60 kbps	16	64	I	—	15/15	—	-6.23 dB
HS- DPDCH	15 kbps	64	256	Q	—	—	24/15	-2.15 dB
TFCI	On	—	—	—	—	—	—	—

Evaluation Board Description

The evaluation board is a platform for testing and interfacing design circuitry. To accommodate the interface testing of the SKY77181, the evaluation board schematic and diagrams are

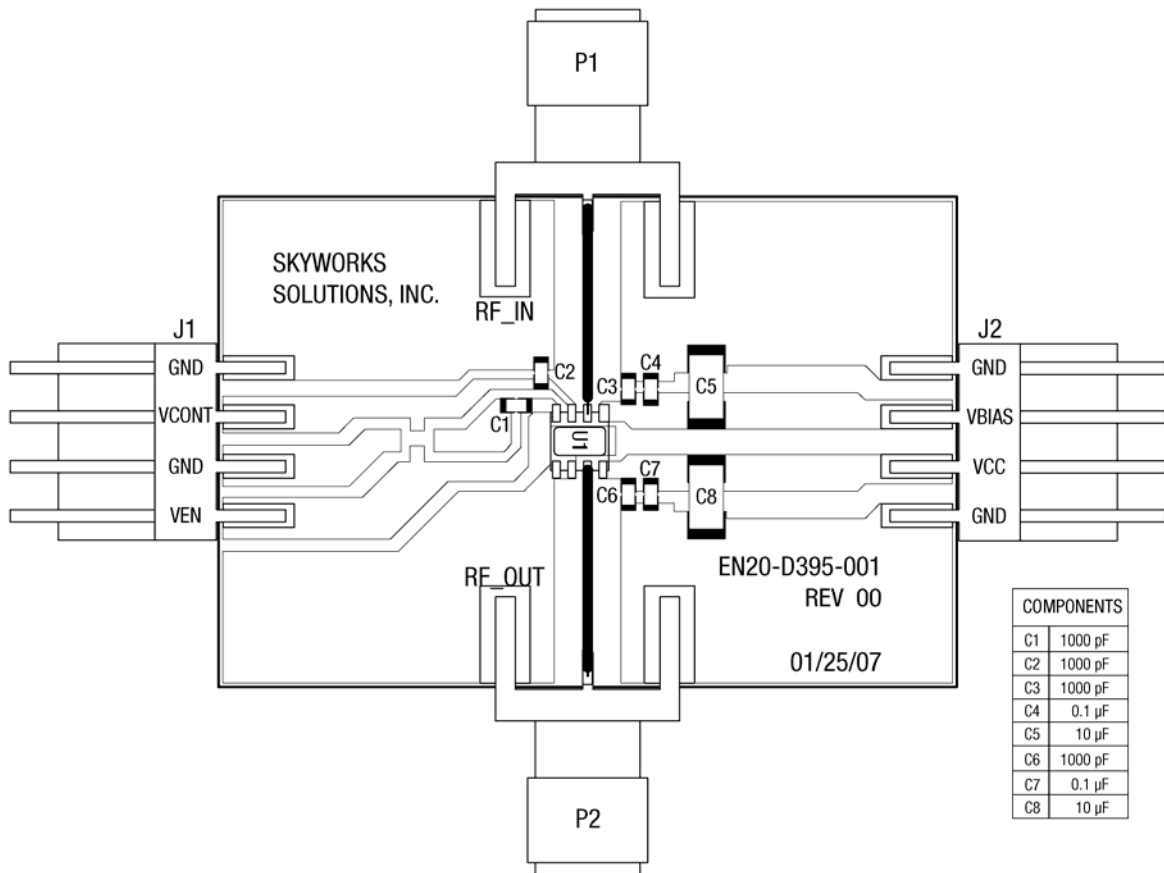
included for preliminary analysis and design. Figure 2 shows the basic schematic of the board for the 880 MHz to 915 MHz range.



(A) Place caps at closest proximity to PA module with the capacitor grounds directly connected to the PAM grounds.

200643_002

Figure 2. SKY77181 Evaluation Board Schematic



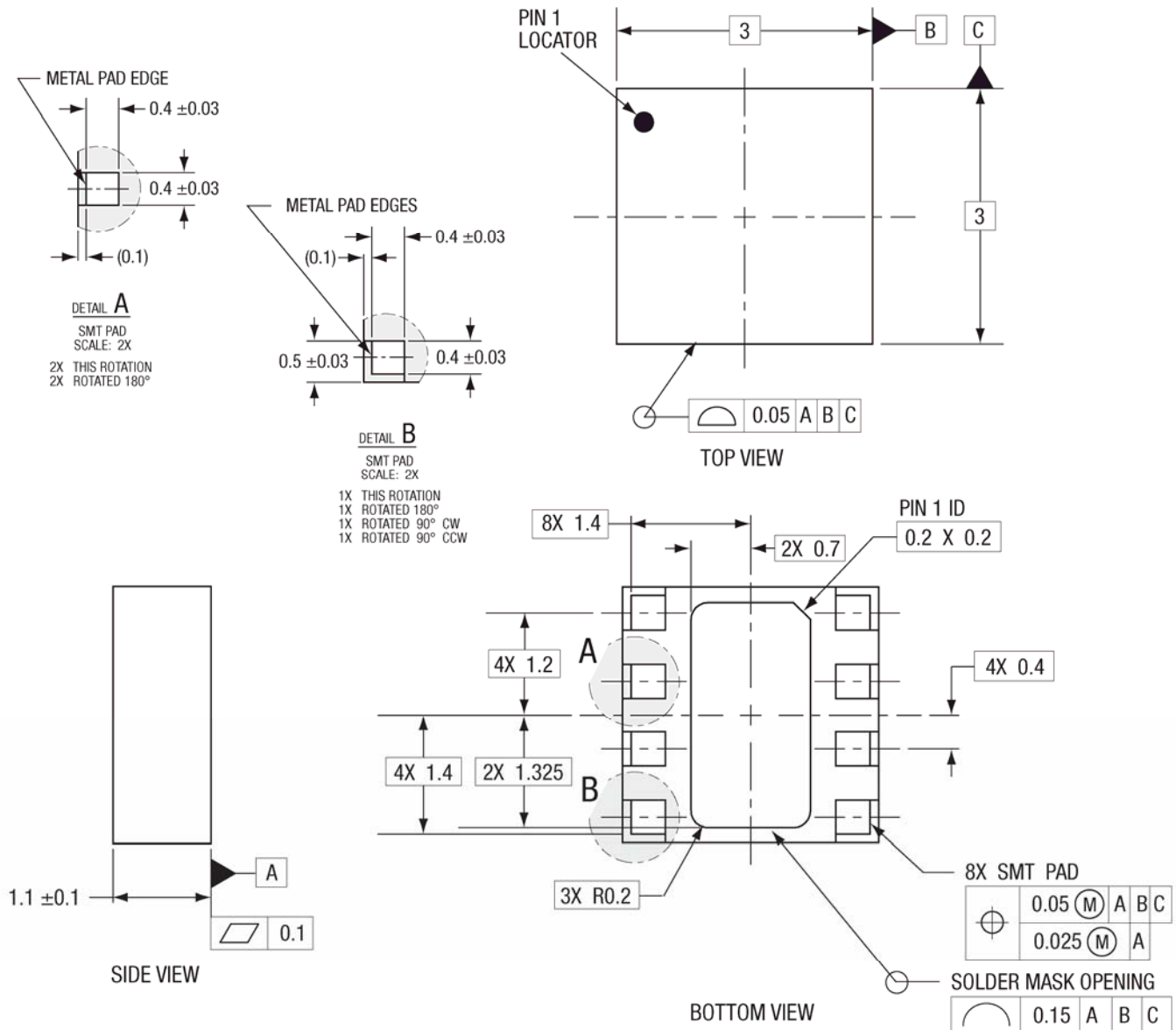
200643_003

Figure 3. SKY77181 Evaluation Board Assembly Diagram

Package Dimensions and Pad Descriptions

The SKY77181 is a multi-layer laminate base, overmold encapsulated modular package designed for surface mount solder attachment to a printed circuit board. Figure 4 is a mechanical drawing of the pad layout for this package. Figure 5 provides a recommended phone board layout footprint for the PAM to help the designer attain optimum thermal conductivity, good grounding,

and minimum RF discontinuity for the 50-ohm terminals. Figure 6 shows the pad names and the pad numbering convention, which starts with pad 1 at the upper left, and increments counter-clockwise around the package. Figure 7 illustrates typical case markings.

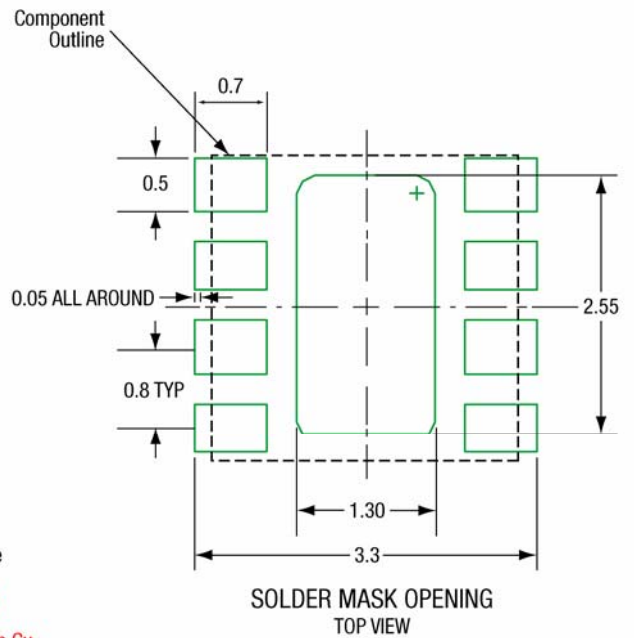
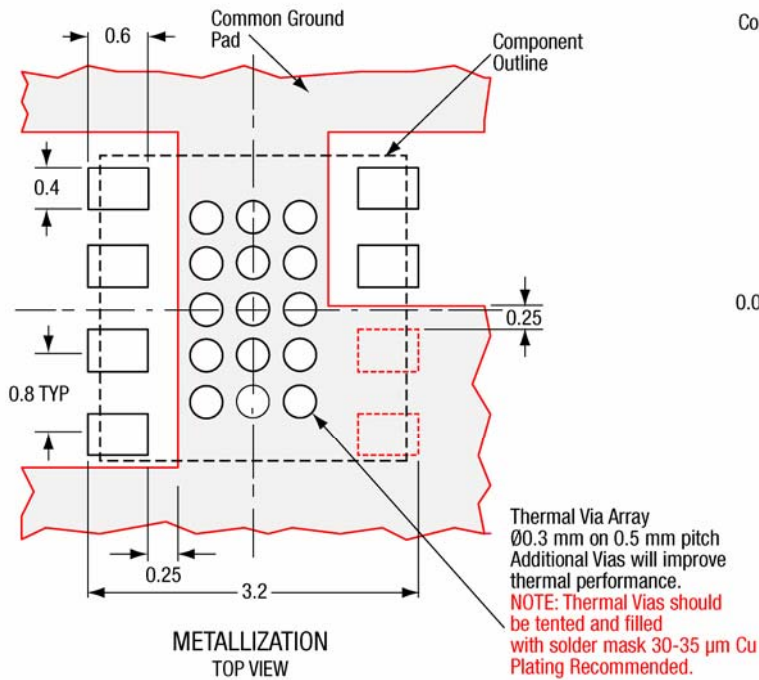
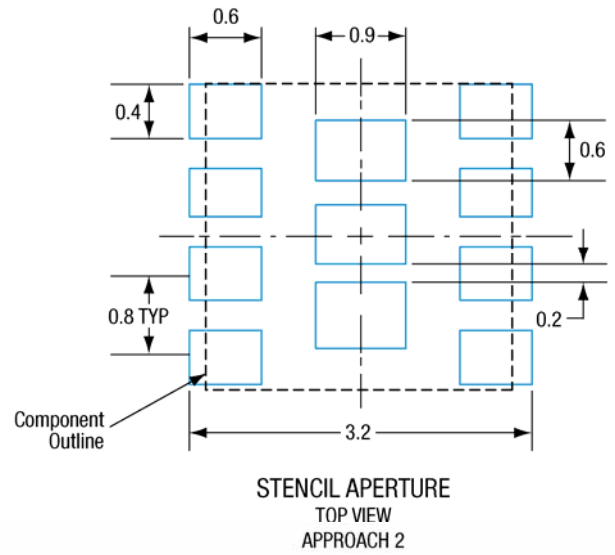
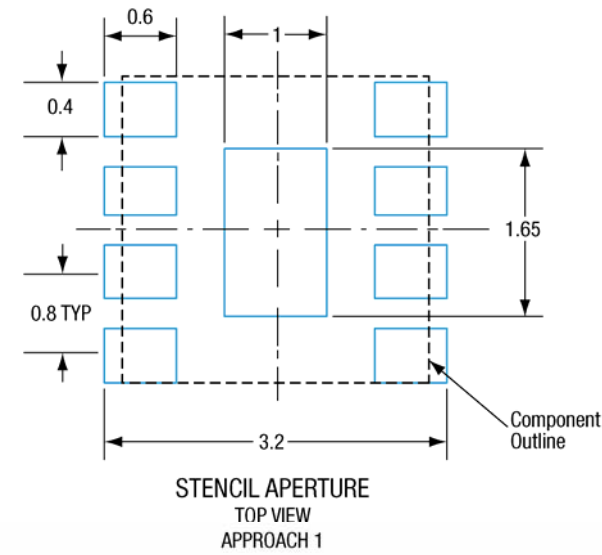


NOTES: Unless otherwise specified

1. DIMENSIONING AND TOLERANCES IN ACCORDANCE WITH ASME Y14.5M-1994.
2. SEE APPLICABLE BONDING DIAGRAM AND DEVICE ASSEMBLY DRAWING FOR DIE AND COMPONENT PLACEMENT.
3. PADS ARE SOLDER MASK DEFINED ON ALL INSIDE EDGES.
4. ALL DIMENSIONS ARE IN MILLIMETERS.

Figure 4. Dimensional Drawing for 3 x 3 x 1.1 mm, 8-pad Package – SKY77181 (All Views)

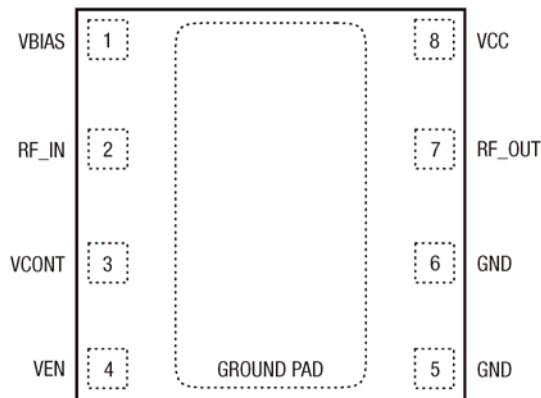
200643_004



All dimensions are in millimeters.

200643_005

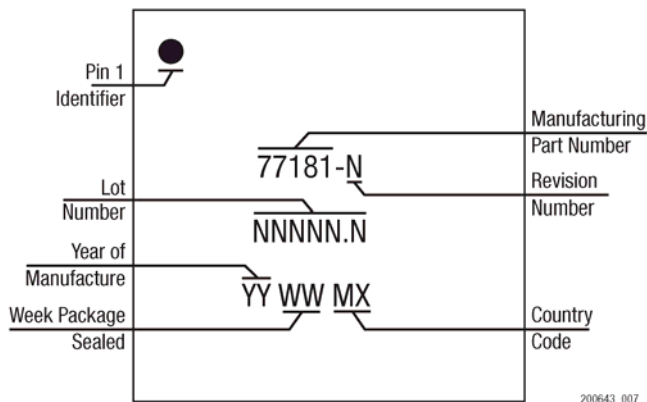
Figure 5. Phone PCB Layout Footprint for 3 x 3 x 1.1 mm, 8-pad Package – SKY77181



Pad layout as seen from top view looking through package. GROUND PAD is package underside.

200643_006

Figure 6. SKY77181 Pad Configuration



200643_007

Figure 7. Typical Case Markings – 3 mm x 3 mm Package

Package and Handling Information

Because of its sensitivity to moisture absorption, this device package is baked and vacuum-packed prior to shipment. Instructions on the shipping container label must be followed regarding exposure to moisture after the container seal is broken, otherwise, problems related to moisture absorption may occur when the part is subjected to high temperature during solder assembly.

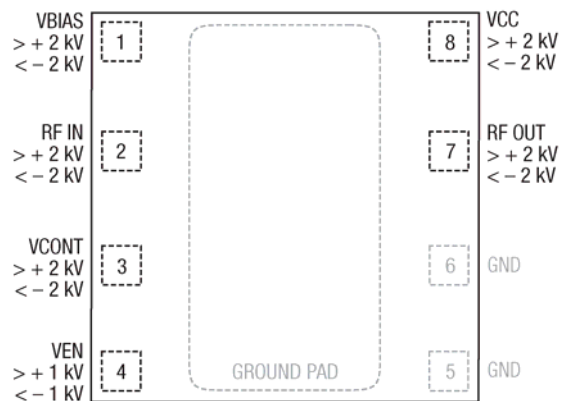
The SKY77181 is capable of withstanding an MSL3/260 °C solder reflow. Care must be taken when attaching this product, whether it is done manually or in a production solder reflow environment. If the part is attached in a reflow oven, the temperature ramp rate should not exceed 3 °C per second; maximum temperature should not exceed 260 °C. If the part is manually attached, precaution should be taken to insure that the part is not subjected to temperatures exceeding 260 °C for more

than 10 seconds. For details on attachment techniques, precautions, and handling procedures recommended by Skyworks, please refer to Skyworks Application Note: *PCB Design and SMT Assembly/Rework*, Document Number 101752. Additional information on standard SMT reflow profiles can also be found in the *JEDEC Standard J-STD-020*.

Production quantities of this product are shipped in the standard tape-and-reel format. For packaging details, refer to Skyworks Application Note: *Tape and Reel Information – RF Modules*, Document Number 101568.

Electrostatic Discharge Sensitivity

The SKY77181 is a Class 1 device. Figure 8 lists the Electrostatic Discharge (ESD) immunity level for each non-ground pad of the SKY77181 product. The numbers in Figure 8 specify the ESD threshold level for each pad where the I-V curve between the pad and ground starts to show degradation. ESD testing was performed in compliance with MIL-STD-883E Method 3015.7 using the Human Body Model. If ESD damage threshold magnitude is found to consistently exceed 2000 volts on a given pad, this so is indicated. If ESD damage threshold below 2000 volts is measured for either polarity, numbers are indicated that represent worst case values observed in product characterization.



Pad layout as seen from top view looking through package.

200643_008

Figure 8. SKY77181 ESD Sensitivity Areas

Various failure criteria can be utilized when performing ESD testing. Many vendors employ relaxed ESD failure standards, which fail devices only after “the pad fails the electrical specification limits” or “the pad becomes completely non-functional”. Skyworks employs most stringent criteria, fails devices as soon as the pad begins to show any degradation on a curve tracer.

To avoid ESD damage, both latent and visible, it is very important that the product assembly and test areas follow the Class-1 ESD

handling precautions listed below.

- Personnel Grounding
 - Wrist Straps
 - Conductive Smocks, Gloves and Finger Cots
 - Antistatic ID Badges
- Protective Workstation
 - Dissipative Table Top
 - Protective Test Equipment (Properly Grounded)
 - Grounded Tip Soldering Irons
 - Solder Conductive Suckers
 - Static Sensors
- Facility
 - Relative Humidity Control and Air Ionizers
 - Dissipative Floors (less than $10^9 \Omega$ to GND)
- Protective Packaging and Transportation
 - Bags and Pouches (Faraday Shield)
 - Protective Tote Boxes (Conductive Static Shielding)
 - Protective Trays
 - Grounded Carts
 - Protective Work Order Holders

Ordering Information

Model Number	Manufacturing Part Number	Product Revision	Package	Operating Temperature
SKY77181	SKY77181		MCM3x3LM	-20 °C to 85 °C

Revision History

Revision	Level	Date	Description
A		January 7, 2008	Initial Issue – Preliminary Information

References

Application Note: PCB Design and SMT Assembly/Rework, Document Number 101752

Application Note: Tape and Reel Information – RF Modules, Document Number 101568

Standard SMT Reflow Profiles: JEDEC Standard J-STD-020

© 2007, Skyworks Solutions, Inc. All Rights Reserved.

Information in this document is provided in connection with Skyworks Solutions, Inc. ("Skyworks") products. These materials are provided by Skyworks as a service to its customers and may be used for informational purposes only. Skyworks assumes no responsibility for errors or omissions in these materials. Skyworks may make changes to its products, specifications and product descriptions at any time, without notice. Skyworks makes no commitment to update the information and shall have no responsibility whatsoever for conflicts, incompatibilities, or other difficulties arising from future changes to its products and product descriptions.

No license, express or implied, by estoppel or otherwise, to any intellectual property rights is granted by this document. Except as may be provided in Skyworks' Terms and Conditions of Sale for such products, Skyworks assumes no liability whatsoever.

THESE MATERIALS ARE PROVIDED "AS IS" WITHOUT WARRANTY OF ANY KIND, EITHER EXPRESS OR IMPLIED, RELATING TO SALE AND/OR USE OF SKYWORKS™ PRODUCTS INCLUDING WARRANTIES RELATING TO FITNESS FOR A PARTICULAR PURPOSE, MERCHANTABILITY, PERFORMANCE, QUALITY OR NON-INFRINGEMENT OF ANY PATENT, COPYRIGHT OR OTHER INTELLECTUAL PROPERTY RIGHT. SKYWORKS FURTHER DOES NOT WARRANT THE ACCURACY OR COMPLETENESS OF THE INFORMATION, TEXT, GRAPHICS OR OTHER ITEMS CONTAINED WITHIN THESE MATERIALS. SKYWORKS SHALL NOT BE LIABLE FOR ANY SPECIAL, INDIRECT, INCIDENTAL, OR CONSEQUENTIAL DAMAGES, INCLUDING WITHOUT LIMITATION, LOST REVENUES OR LOST PROFITS THAT MAY RESULT FROM THE USE OF THESE MATERIALS.

Skyworks® products are not intended for use in medical, lifesaving or life-sustaining applications. Skyworks' customers using or selling Skyworks® products for use in such applications do so at their own risk and agree to fully indemnify Skyworks for any damages resulting from such improper use or sale.

The following are trademarks of Skyworks Solutions, Inc.: Skyworks®, the Skyworks symbol, and "Breakthrough Simplicity"®. Product names or services listed in this publication are for identification purposes only, and may be trademarks of third parties. Third-party brands and names are the property of their respective owners.

Additional information, posted at www.skyworksinc.com, is incorporated by reference.