

# Glass Seal SMD Crystal



**Model: FEG Series**

**RoHS Compliant**

**Rev. 12/5/2007**

Page 1 of 2

[http://www.foxonline.com/need\\_a\\_sample.htm](http://www.foxonline.com/need_a_sample.htm)

Need a  
Sample®

## • PART NUMBER [Learn More - Internet Required](#)

Part Number	Model Number	Frequency Range (MHz)
511-Frequency-xxxxx	FEG	7.3728 ~ 80.000

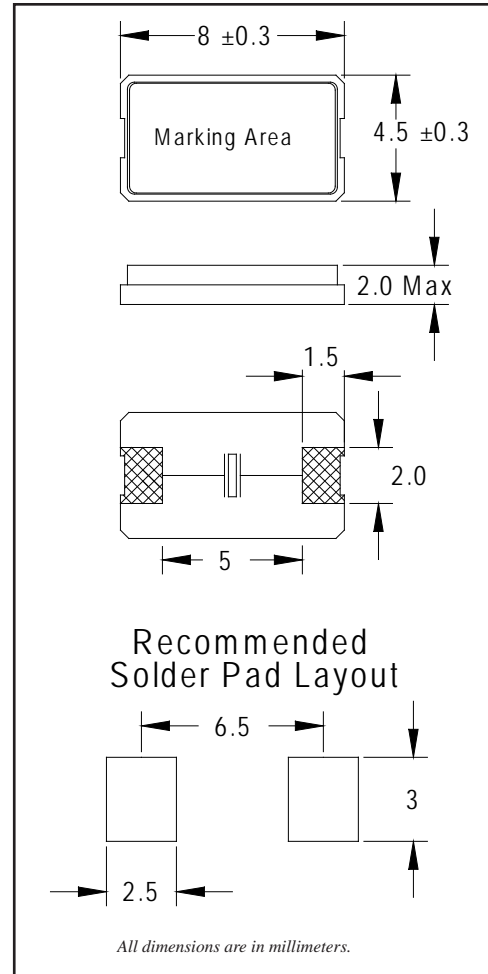
## • STANDARD SPECIFICATIONS<sup>1</sup>

PARAMETERS	MAX (unless otherwise noted)
Frequency Range (Fo)	7.3728 ~ 80.000 MHz
Frequency Tolerance @ 25°C	±50 PPM <sup>1</sup>
Frequency Stability, ref @ 25°C Over Operating Temp Range	±50 PPM <sup>1</sup>
Temperature Range	
Operating (TOPR)	10°C ~ +70°C <sup>1</sup>
Storage (TSTG)	-40°C ~ +85°C
Shunt Capacitance (Co)	7 pF
Load Capacitance (CL)	10 pF ~ Series (Customer Specified)
Drive Level	0.1 mW
Aging per year	±5 PPM
Maximum Soldering Temp / Time	260°C / 10 Seconds
Moisture Sensitivity Level (MSL)	1
Termination Finish	Au

<sup>1</sup> Other stabilities & operating temperature ranges available.

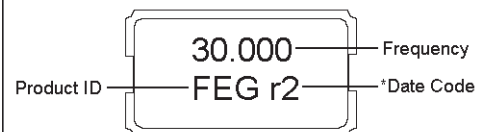
Note: Dimensional drawing is for reference to critical specifications defined by size measurements. Certain non-critical visual attributes, such as side castellations, reference pin shape, etc. may vary.

The above specifications, having been carefully prepared and checked, is believed to be accurate at the time of publication; however, no responsibility is assumed by Fox Electronics for inaccuracies.



Frequency Range (MHz)	Operating Mode	Max ESR Ω
7.3728 ~ 10.000	Fundamental	110
10.000+ ~ 12.000	Fundamental	80
12.000+ ~ 37.500	Fundamental	50
37.500+ ~ 80.000	3rd OT	70

## FEG Marking Identification



Example: ' H2 ': H = August 2005, 2 = 2nd week in August 2005

Year/Month	Jan	Feb	Mar	Apr	May	Jun	Jul	Aug	Sep	Oct	Nov	Dec
2005	A	B	C	D	E	F	G	H	J	K	L	M
2006	N	P	Q	R	S	T	U	V	W	X	Y	Z
2007	a	b	c	d	e	f	g	h	j	k	l	m
2008	n	p	q	r	s	t	u	v	w	x	y	z
2009	A	B	C	D	E	F	G	H	J	K	L	M

# Glass Seal SMD Crystal



Model: FEG Series

RoHS Compliant

Rev. 12/5/2007

Page 2 of 2

[http://www.foxonline.com/need\\_a\\_sample.htm](http://www.foxonline.com/need_a_sample.htm)



• TAPE SPECIFICATIONS (millimeters)							
MODEL	A	B	C	D	E	F	STD Reel QTY
FEG	∅1.5	4.0	8.0	7.5	16.0	2.0	1,000

• REEL SPECIFICATIONS (millimeters)							
MODEL	G	H	I	J	K	L	M
FEG	2.5	∅13.5	∅21.6	∅60.0	∅178	17.5	1.6

