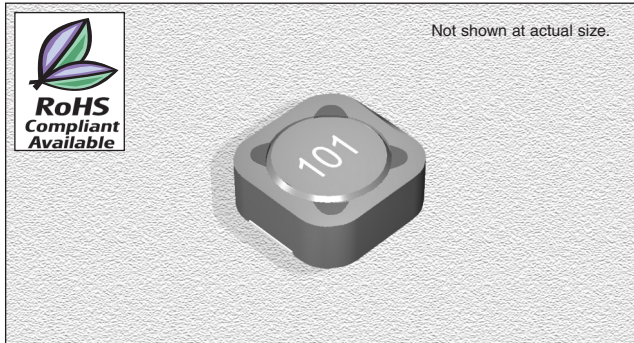


CTCDRH124 Series

From 3.9 μH to 330 μH

ENGINEERING KIT #23F



SPECIFICATIONS

Part numbers indicate tolerance available.

N = $\pm 30\%$, M = $\pm 20\%$

CTCDRH124E Please specify "F" for RoHS Compliant

Part Number	Inductance (μH)	L Test Freq. (kHz)	DCR Max. (Ω)	IDC Max. (A)
CTCDRH124_-3R9N	3.9	100	.02	6.5
CTCDRH124_-4R7N	4.7	100	.02	5.7
CTCDRH124_-6R8N	6.8	100	.02	4.9
CTCDRH124_-8R2N	8.2	100	.03	4.6
CTCDRH124_-100M	10	100	.03	4.5
CTCDRH124_-120M	12	100	.04	4.0
CTCDRH124_-150M	15	100	.05	3.2
CTCDRH124_-180M	18	100	.06	3.1
CTCDRH124_-220M	22	100	.07	2.9
CTCDRH124_-270M	27	100	.08	2.8
CTCDRH124_-330M	33	100	.10	2.7
CTCDRH124_-390M	39	100	.13	2.1
CTCDRH124_-470M	47	100	.16	1.9
CTCDRH124_-560M	56	100	.19	1.8
CTCDRH124_-680M	68	100	.22	1.5
CTCDRH124_-820M	82	100	.26	1.3
CTCDRH124_-101M	100	100	.31	1.2
CTCDRH124_-121M	120	100	.38	1.1
CTCDRH124_-151M	150	100	.53	1.0
CTCDRH124_-181M	180	100	.62	0.9
CTCDRH124_-221M	220	100	.70	0.8
CTCDRH124_-271M	270	100	.87	0.6
CTCDRH124_-331M	330	100	.99	0.5

CHARACTERISTICS

Description: SMD (shielded) power inductor

Applications: Power supplies for VTR, OA equipment, LCD televisions, PC notebooks, portable communication equipment, DC/DC converters, etc.

Operating Temperature: -25°C to $+80^{\circ}\text{C}$

Inductance Tolerance: $\pm 20\%$, $\pm 30\%$

Testing: Inductance is tested on an HP4284A at 100 kHz

Packaging: Tape & Reel

Marking: Parts are marked with inductance code.

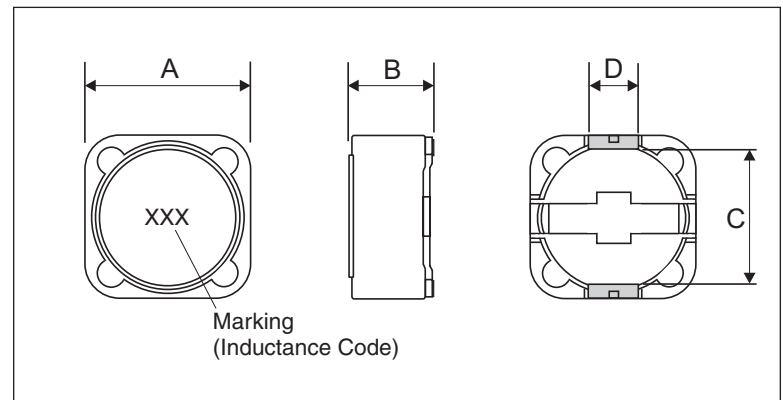
Miscellaneous: RoHS Compliant available

Additional Information: Additional electrical & physical information available upon request

Samples available. See website for ordering information.

PHYSICAL DIMENSIONS

Size	A Max.	B Max.	C	D
mm	12.5	4.5	7.6	5.0
inches	0.492	0.18	0.299	0.197



08.01.07