



Frontier Electronics Corp.

667 E. COCHRAN STREET, SIMI VALLEY, CA 93065

TEL: (805) 522-9998 FAX: (805) 522-9989

E-mail: frontiersales@frontierusa.com

Web: frontierusa.com

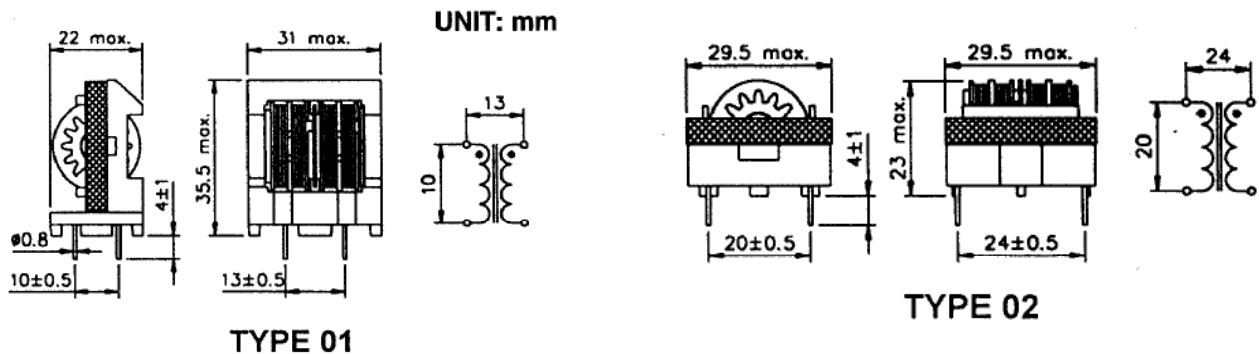
Common Mode Line Filters—CFS28xx series

A. Specifications:

Part Number	Inductance (mH)	DCR (OHMS) Max.	Rated Current (A) RMS.
CFS28xx-01	3.3	0.12	3.0
CFS28xx-02	5.6	0.16	2.5
CFS28xx-03	8.0	0.16	2.0
CFS28xx-04	16	0.40	1.5
CFS28xx-05	39	0.65	1.0
CFS28xx-06	45	0.80	0.9
CFS28xx-07	60	1.00	0.8
CFS28xx-08	68	1.50	0.7
CFS28xx-09	96	2.00	0.6
CFS28xx-10	120	2.50	0.5

Note: xx means: Type "01" or "02".

B. Mechanical Dimensions:



C. General information:

1. Test Condition: 1.0KHz / 1V.
2. Electrical specifications at 25°C.
3. Temperature Rise: 45°C.
4. Operating temperature: -20°C TO +105°C.
5. Insulation Resistance: 100M OHMS at 500VDC.
6. Rated Voltage: 100V to 270V / 50-60 Hz.
7. Hi-Pot Voltage: 1500VAC for one minute between line.

★ Custom specifications are available.

Note: **RoHS** compliant; for the **ROHS** parts, we add "**-LFR**" at the end of the P/N.