

## Silicon PNP Power Transistors

2SB609

## DESCRIPTION

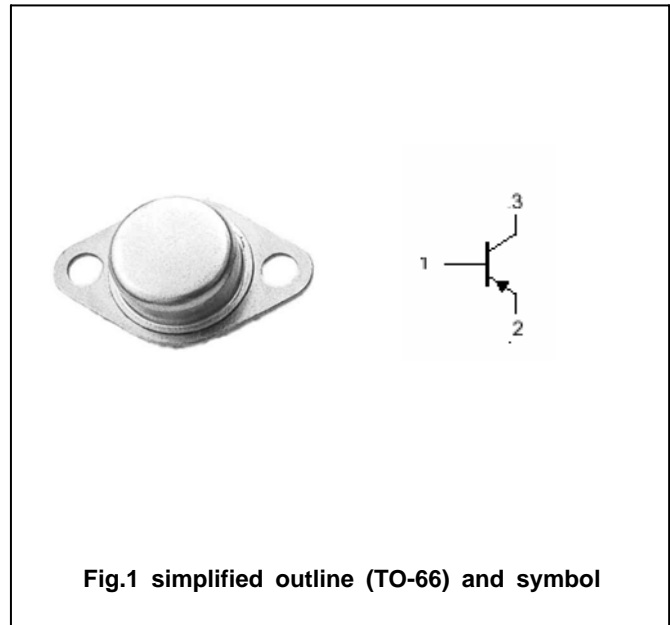
- With TO-66 package
- Wide area of safe operation

## APPLICATIONS

- For use in audio frequency power amplifier application

## PINNING(see Fig.2)

PIN	DESCRIPTION
1	Base
2	Emitter
3	Collector

Absolute maximum ratings( $T_a = ^\circ\text{C}$ )

SYMBOL	PARAMETER	CONDITIONS	VALUE	UNIT
$V_{CBO}$	Collector-base voltage	Open emitter	-100	V
$V_{CEO}$	Collector-emitter voltage	Open base	-80	V
$V_{EBO}$	Emitter-base voltage	Open collector	-5	V
$I_C$	Collector current		-4	A
$P_C$	Collector power dissipation	$T_C = 25^\circ\text{C}$	40	W
$T_j$	Junction temperature		150	$^\circ\text{C}$
$T_{stg}$	Storage temperature		-40~150	$^\circ\text{C}$

## Silicon PNP Power Transistors

## 2SB609

## CHARACTERISTICS

T<sub>j</sub>=25°C unless otherwise specified

SYMBOL	PARAMETER	CONDITIONS	MIN	TYP.	MAX	UNIT
V <sub>(BR)CEO</sub>	Collector-emitter breakdown voltage	I <sub>C</sub> =-10mA ; I <sub>B</sub> =0	-80			V
V <sub>(BR)CBO</sub>	Collector-base breakdown voltage	I <sub>C</sub> =-1mA ; I <sub>E</sub> =0	-100			V
V <sub>(BR)EBO</sub>	Emitter-base breakdown voltage	I <sub>E</sub> =-1mA ; I <sub>C</sub> =0	-5			V
V <sub>CEsat</sub>	Collector-emitter saturation voltage	I <sub>C</sub> =-2A; I <sub>B</sub> =-0.2A			-1.0	V
V <sub>BE</sub>	Base-emitter on voltage	I <sub>C</sub> =-0.5A ; V <sub>CE</sub> =-4V			-1.5	V
I <sub>CBO</sub>	Collector cut-off current	V <sub>CB</sub> =-80V; I <sub>E</sub> =0			-0.1	mA
I <sub>EBO</sub>	Emitter cut-off current	V <sub>EB</sub> =-4V; I <sub>C</sub> =0			-0.1	mA
h <sub>FE</sub>	DC current gain	I <sub>C</sub> =-0.5A ; V <sub>CE</sub> =-4V	60		320	

PACKAGE OUTLINE

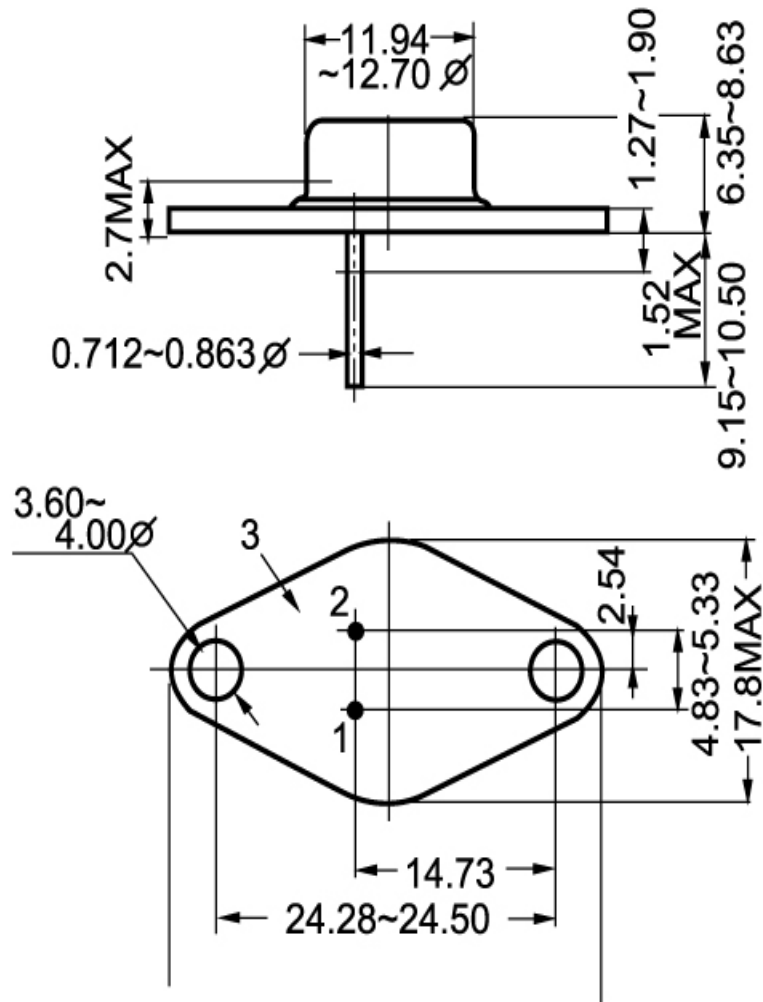


Fig.2 outline dimensions