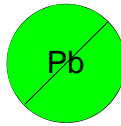


These components are RoHS compliant



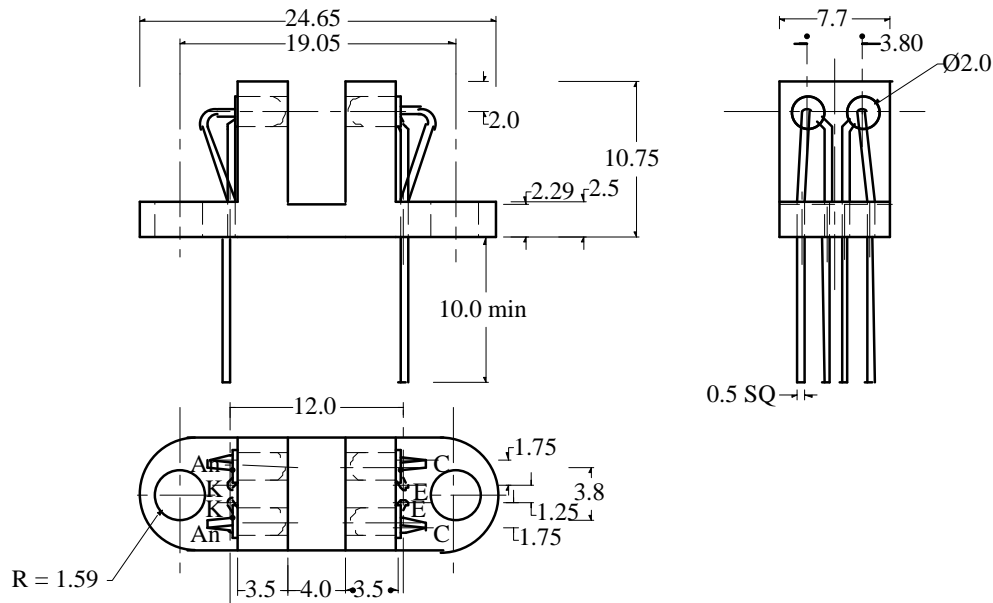
# SSS-017 Two Channel Optical Switch

SSS-017 is a Two-Channel slotted optical switch using Hermetic Gallium Arsenide light emitting diodes and silicon phototransistors.

- Hermetic emitters and sensors for wide operating temperature range.
- High current transfer ratio TTL compatible output.
- Low cross talk between channels.
- 4mm slot width emitter to sensor.
- Polycarbonate filter package available SSS017F
- Custom specifications available



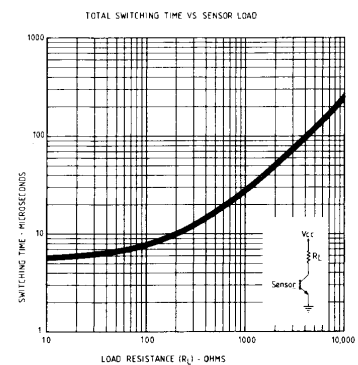
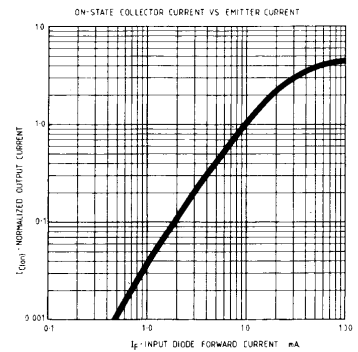
## MECHANICAL DATA



**BEDFORD OPTO TECHNOLOGY LTD**  
**1 BIGGAR BUSINESS PARK, BIGGAR, LANARKSHIRE, ML12 6NR**  
Tel: +44 (0) 1899 221221 Fax: +44 (0) 1899 221009  
Website: [bot.co.uk](http://bot.co.uk) E-mail: [bill@bot.co.uk](mailto:bill@bot.co.uk)

## ELECTRICAL CHARACTERISTICS at 25 °C

SYMBOL	PARAMETER	MIN	TY P	MAX	UNIT S	TEST CONDI- TION
<b>INPUT DIODE</b>	Forward Voltage		1.3	1.5	V	If = 20 mA
<b>OUTPUT SENSOR</b>	Collector-emitter Voltage	50	60		V	Ic = 1mA
<b>BV<sub>ECO</sub></b>	Emitter-Collector Voltage	7	8		V	Ie = 0.1mA
<b>I<sub>CEO</sub></b>	Collector-Emitter dark current			25	nA	Vce = 10V IF = 0
<b>COUPLED CTR</b>	Curent Transfer ratio	10	30		%	If = 20 mA Vce = 5V
<b>V<sub>CE (SAT)</sub></b>	Collector-emitter saturation voltage		0.2	0.4	V	If = 20 mA Ic = 2 mA Ic = 2 mA
<b>T<sub>R</sub></b>	Non-saturated output rise time		10		u sec	Vce = 5V
<b>T<sub>F</sub></b>	Non-saturated		25		u sec	RL = 1Kohm



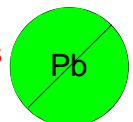
## ABSOLUTE MAXIMUM RATINGS (25 °C unless otherwise noted)

<b>INPUT DIODE</b>	
FORWARD DC CURRENT	100mA
REVERSE DC VOLTAGE	2V
POWER DISSIPATION 1)	
<b>OUTPUT SENSOR</b>	
COLLECTOR-EMITTER VOLTAGE	50V
EMITTER-COLLECTOR VOLTAGE	7V
COLLECTOR CURRENT 2)	
<b>OPERATING TEMP</b>	-55 °C to +125°C
<b>LEAD SOLDERING TEMP</b>	240 °C

NOTE:

- 1) Derate linearly above 25°C at 1.6 mW/ °C
- 2) Derate linearly above 25°C at 2.5 mW/ °C

These components are RoHS compliant



**BEDFORD OPTO TECHNOLOGY LTD**  
**1 BIGGAR BUSINESS PARK, BIGGAR, LANARKSHIRE, ML12 6NR**  
 Tel: +44 (0) 1899 221221 Fax: +44 (0) 1899 221009  
 Website: bot.co.uk E-mail: bill@bot.co.uk