



- WT - standard plug-in version with indicating flag and manual testing/latching lever
- Miniature size
- Cadmium - free contacts
- Coil AC and DC
- Plug-in version - rail mount TH35, EN 50022
- General purpose relays

Contacts

Contact number & arrangement		3C/O
Contact material		AgNi, AgNi/Au 0,2 µm, AgNi/Au 5 µm
Voltage		
Max. switching voltage AC/DC		250 V / 250 V
Min. switching voltage		5 V
Current		
Rated load	AC1 DC1	10 A / 250 V AC 10 A / 24 V DC
Min. switching current		5 mA (AgNi, AgNi/Au 0,2 µm) 1 mA (AgNi/Au 5 µm)
Max. inrush current		20 A
Rated current		10 A
Max. breaking capacity	AC1	2 500 VA
Min. breaking capacity		0,1 W (AgNi/Au 5 µm); 0,3 W (AgNi, AgNi/Au 0,2 µm)
Resistance		≤ 100 mΩ at 100 mA, 24 V
Max. operating frequency		
• at rated load	AC1	1 200 cycles/hour
• no load		18 000 cycles/hour

Coil

Voltage	
Rated voltage	5...220 V DC 6...240 V AC 50 Hz
Must release voltage	≥ 0,1 U _n DC; ≥ 0,2 U _n AC
Operating range of supply voltage	see Tables 1, 2
Rated power consumption	0,9 W DC 1,6 VA AC

Insulation

Insulation category	C250
Voltage	
Insulation rated voltage	250 V AC
Dielectric strength	
• coil-contact	2 500 V AC
• contact-contact	1 500 V AC
• pole-pole	2 500 V AC
Contact-coil distance	
• clearance	≥ 2,5 mm
• creepage	≥ 4 mm
• contact-contact	≥ 0,35 mm

General data

Operating time (typical value)	10 ms AC; 13 ms DC
Release time (typical value)	8 ms AC; 3 ms DC
Electrical life	
• resistive	≥ 10 ⁵ at 10 A, 250 V AC
• cos φ	see Fig. 2
Mechanical life (cycles)	≥ 2 x 10 ⁷
Dimensions (L x W x H)	27,5 x 21,2 x 35,6 mm
Weight	35 g
Ambient temperature	
• storing	-40...+85 °C
• operating	AC: -40...+55 °C; DC: -40...+70 °C
Cover protection category	IP 40
Shock resistance	10 g (NO); 5 g (NC)
Vibration resistance	5 g for 10...150 Hz
Solder bath temperature	max. 270 °C
Soldering time	max. 5 s
Approvals	B, cUL, UL, VDE, GOST

Coil data - DC version

Table 1

Coil code	Rated voltage V DC	Coil resistance ($\pm 10\%$) at 20 °C	Coil operating range V DC	
			min. (at 20 °C)	max. (at 55 °C)
1005	5	28	4,0	5,5
1006	6	40	4,8	6,6
1012	12	160	9,6	13,2
1024	24	640	19,2	26,4
1048	48	2 600	38,4	52,8
1060	60	4 000	48,0	66,0
1080	80	7 100	64,0	88,0
1110	110	13 600	88,0	121,0
1125	125	16 000	100,0	137,5
1220	220	54 000	176,0	242,0

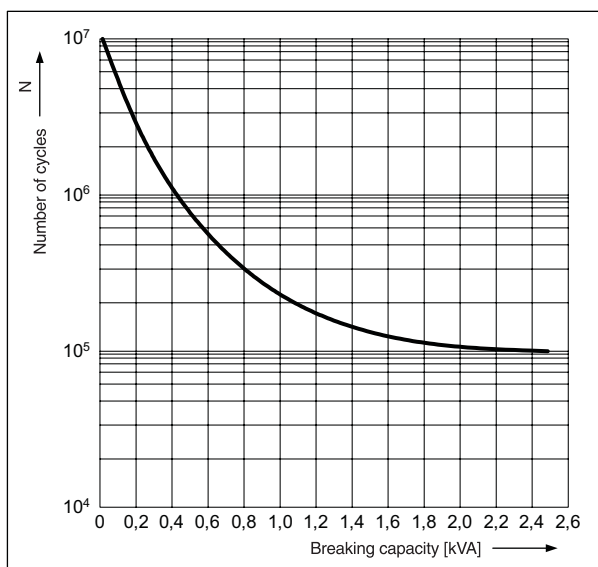
Coil data - AC 50 Hz version

Table 2

Coil code	Rated voltage V AC	Coil resistance ($\pm 10\%$) at 20 °C Ω	Coil operating range V AC	
			min. (at 20 °C)	max. (at 55 °C)
3006	6	12	4,8	6,6
3012	12	50	9,6	13,2
3024	24	190	19,2	26,4
3042	42	565	33,6	46,2
3048	48	785	38,4	52,8
3060	60	1 240	48,0	66,0
3080	80	2 190	64,0	88,0
3110	110	3 880	88,0	121,0
3120	120	4 150	96,0	132,0
3127	127	4 940	101,6	139,0
3220	220	16 300	176,0	242,0
3230	230/240	17 400	184,0	253,0

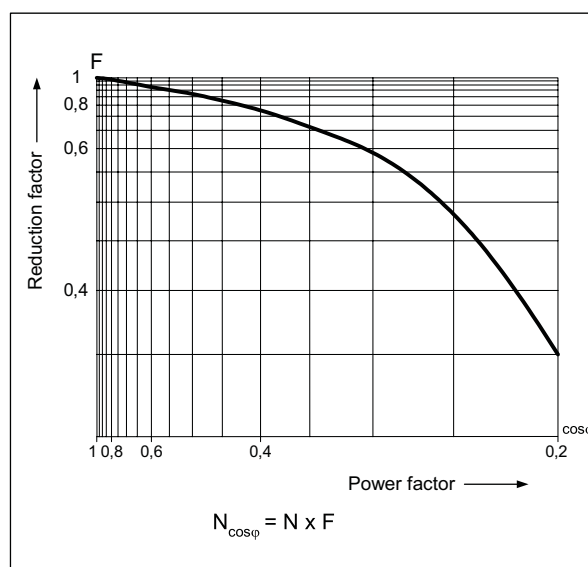
Electrical life at AC resistive load

Fig. 1



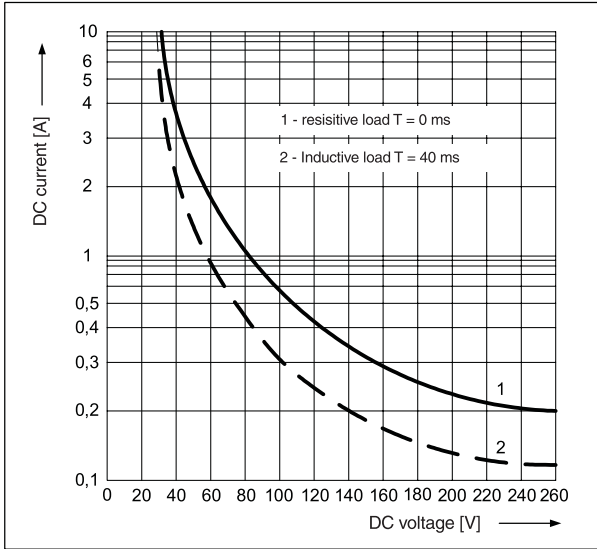
Electrical life reduction factor at AC inductive load

Fig. 2

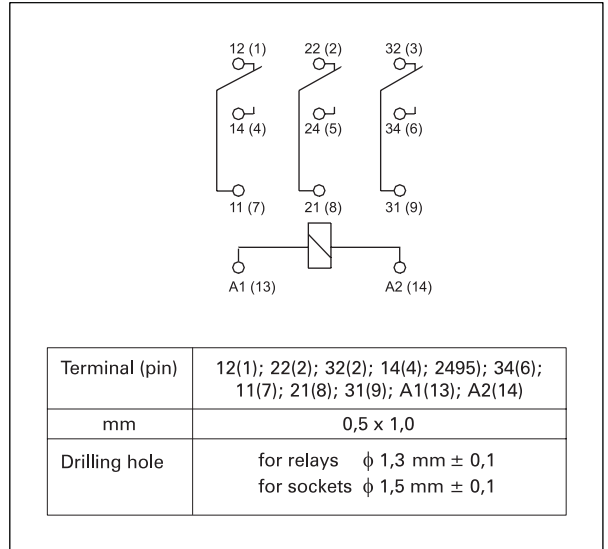


Maximum DC resistive load breaking capacity

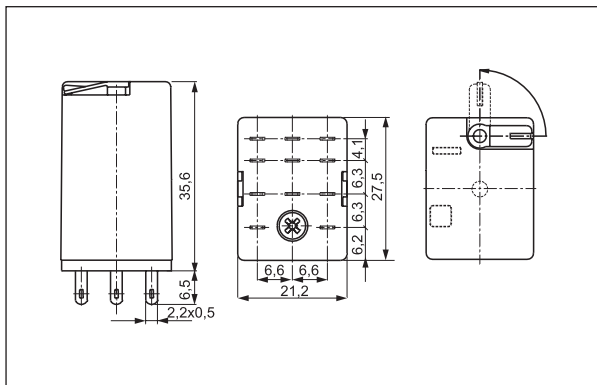
Fig. 3



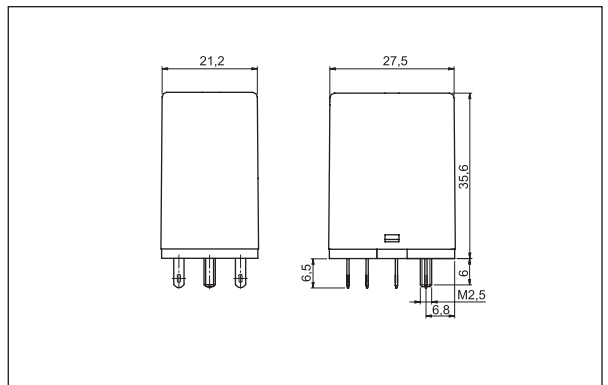
Connections diagram (pin side view)



Dimensions - plug-in version (WT), with manual testing/latching lever



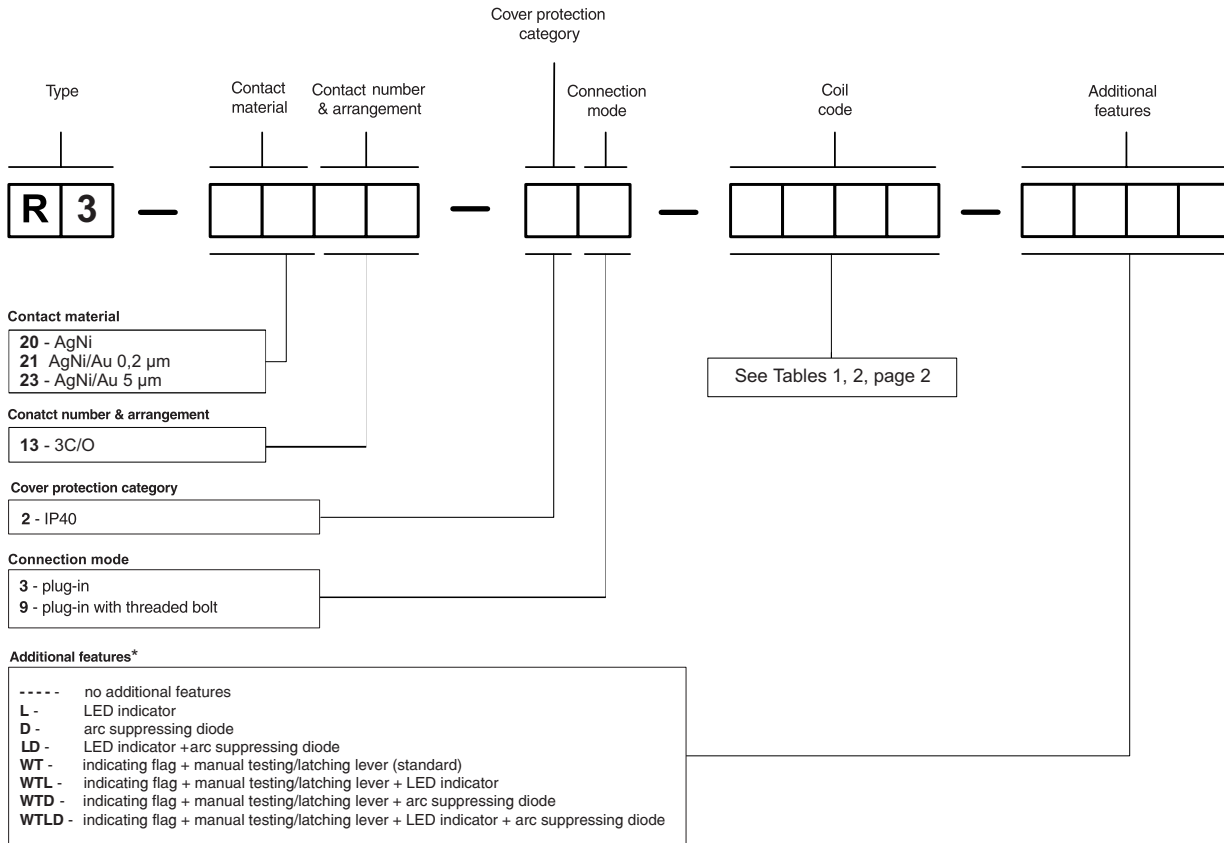
Dimensions - version with threaded bolt (without WT)



Mounting

Relays **R3** are designed for screw terminals sockets **GZT3** - for DIN rail mounting.

Ordering codes



* D, LD, WTD, WTL D - only for DC coils
 WT - standard features plug-in power relays