

# IC80C54

# IC80C58



## CMOS SINGLE CHIP 8-BIT MICROCONTROLLER

### FEATURES

- 80C52 based architecture
- 16K x 8 ROM (80C54)  
32K x 8 ROM (80C58)
- 256 x 8 RAM
- Three 16-bit Timer/Counters
- Full duplex serial channel
- Boolean processor
- Four 8-bit I/O ports, 32 I/O lines
- Memory addressing capability
  - 64K ROM and 64K RAM
- Program memory lock
  - Lock bits (2)
- Power save modes:
  - Idle and power-down
- Eight interrupt sources
- Most instructions execute in 0.3  $\mu$ s
- CMOS and TTL compatible
- Maximum speed: 40 MHz @ Vcc = 5V
- Packages available:
  - 40-pin DIP
  - 44-pin PLCC
  - 44-pin PQFP

### GENERAL DESCRIPTION

The *ICSI* IC80C54 and IC80C58 are high-performance microcontroller fabricated using high-density CMOS technology. The CMOS IC80C54/58 is functionally compatible with the industry standard 80C52/32 microcontrollers.

The IC80C54/58 is designed with 16K x 8 ROM (IC80C54) and 32Kx8 ROM (IC80C58); 256 x 8 RAM; 32 programmable I/O lines; a serial I/O port for either multiprocessor communications, I/O expansion or full duplex UART; three 16-bit timer/counters; an eight-source, two-priority-level, nested interrupt structure; and an on-chip oscillator and clock circuit. The IC80C54/58 can be expanded using standard TTL compatible memory.

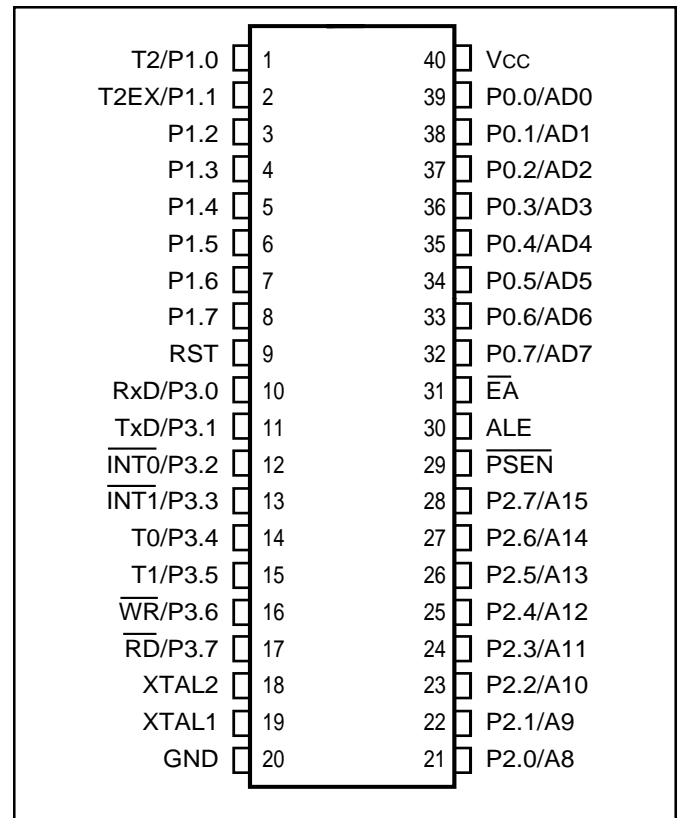


Figure 1. IC80C54/58 Pin Configuration: 40-pin DIP

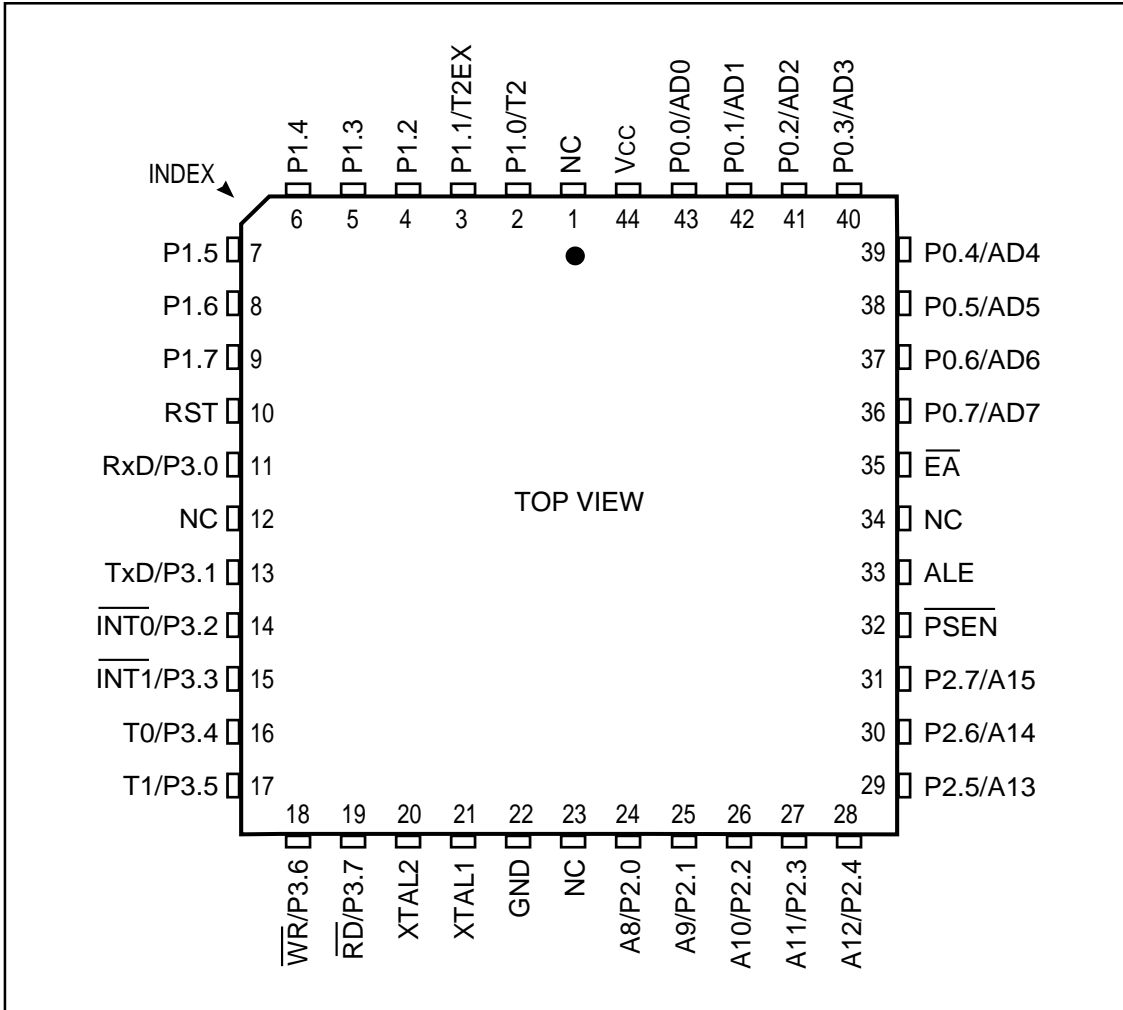


Figure 2. IC80C54/58 Pin Configuration: 44-pin PLCC

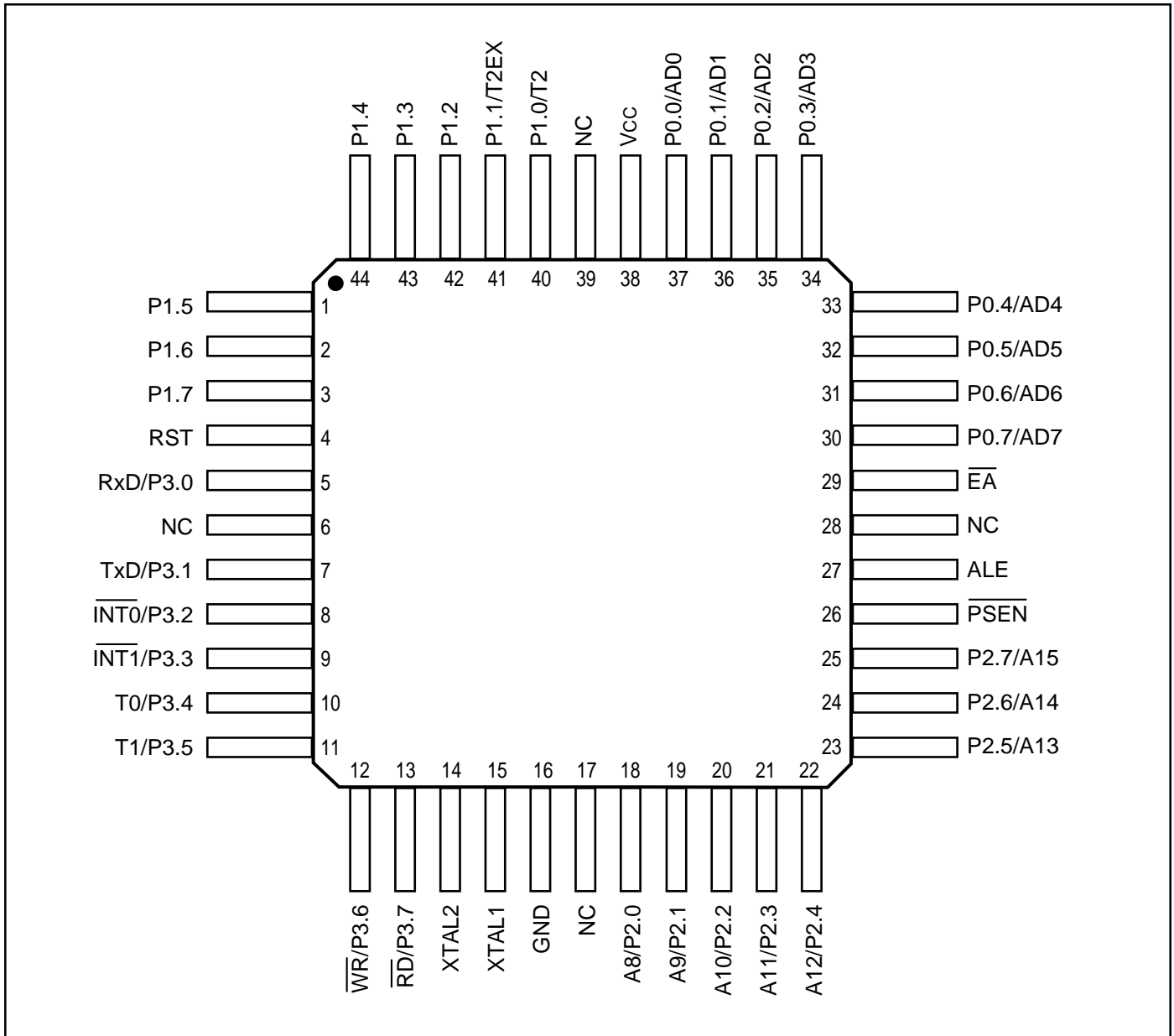


Figure 3. IC80C54/58 Pin Configuration: 44-pin PQFP

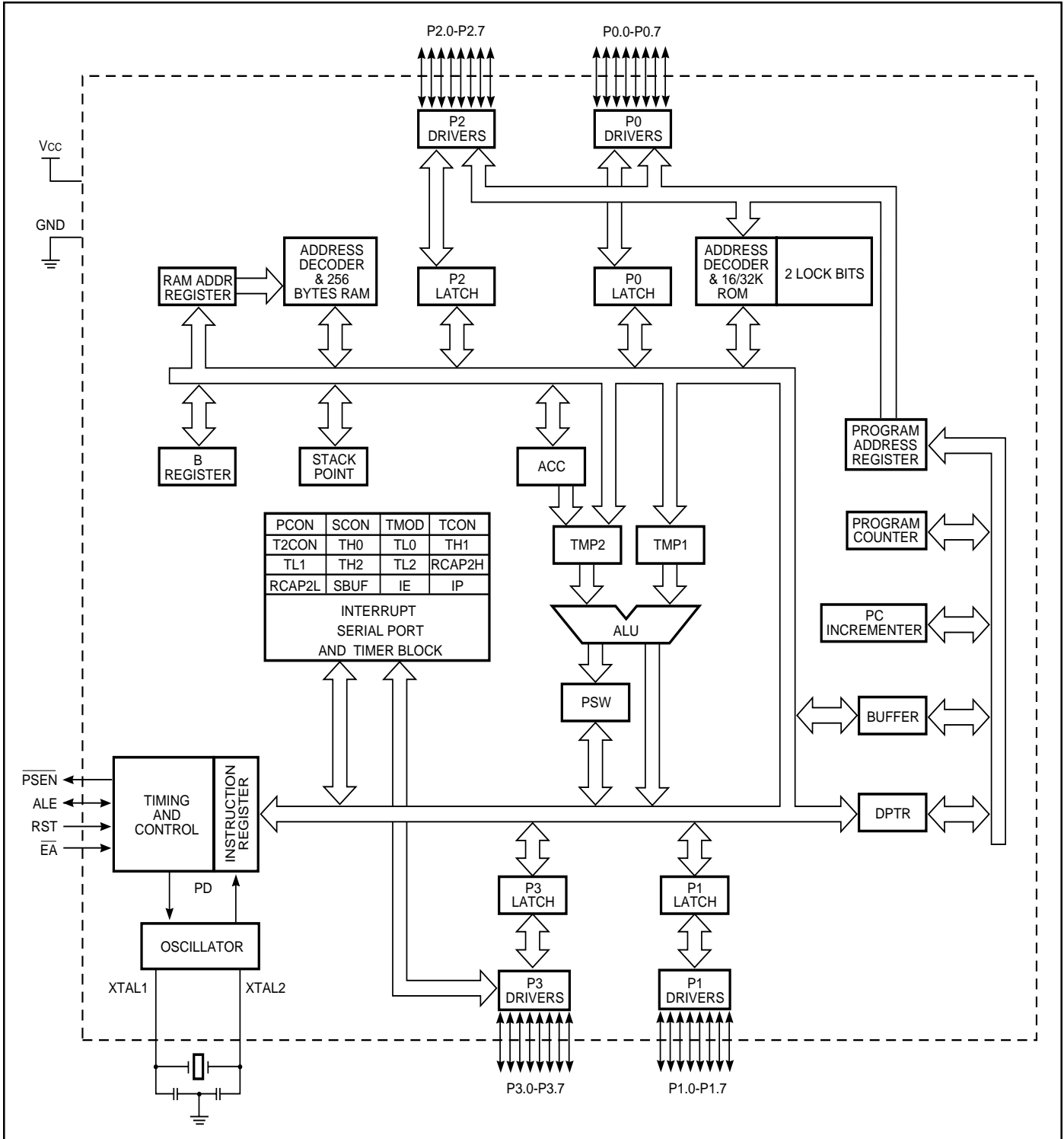


Figure 4. IC80C54/58 Block Diagram

Table 1. Detailed Pin Description

Symbol	PDIP	PLCC	PQFP	I/O	Name and Function
ALE	30	33	27	I/O	<b>Address Latch Enable:</b> Output pulse for latching the low byte of the address during an access to the external memory. In normal operation, ALE is emitted at a constant rate of 1/6 the oscillator frequency, and can be used for external timing or clocking. Note that one ALE pulse is skipped during each access to external data memory.
$\overline{EA}$	31	35	29	I	<b>External Access enable:</b> $\overline{EA}$ must be externally held low to enable the device to fetch code from external program memory locations 0000H to FFFFH. If $\overline{EA}$ is held high, the device executes from internal program memory unless the program counter contains an address greater than internal ROM size.
P0.0-P0.7	39-32	43-36	37-30	I/O	<b>Port 0:</b> Port 0 is an 8-bit open-drain, bidirectional I/O port. Port 0 pins that have 1s written to them float and can be used as high-impedance inputs. Port 0 is also the multiplexed low-order address and data bus during accesses to external program and data memory. In this application, it uses strong internal pullups when emitting 1s.
P1.0-P1.7	1-8	2-9	40-44 1-3	I/O	<b>Port 1:</b> Port 1 is an 8-bit bidirectional I/O port with internal pullups. Port 1 pins that have 1s written to them are pulled high by the internal pullups and can be used as inputs. As inputs, Port 1 pins that are externally pulled low will source current because of the internal pullups. (See DC Characteristics: $I_{IL}$ ). The Port 1 output buffers can sink/source four TTL inputs.  Port 1 also receives the low-order address byte during verification.
	1	2	40	I	<b>T2(P1.0):</b> Timer/Counter 2 external count input.
	2	3	41	I	<b>T2EX(P1.1):</b> Timer/Counter 2 trigger input.
P2.0-P2.7	21-28	24-31	18-25	I/O	<b>Port 2:</b> Port 2 is an 8-bit bidirectional I/O port with internal pullups. Port 2 pins that have 1s written to them are pulled high by the internal pullups and can be used as inputs. As inputs, Port 2 pins that are externally pulled low will source current because of the internal pullups. (See DC Characteristics: $I_{IL}$ ). Port 2 emits the high order address byte during fetches from external program memory and during accesses to external data memory that used 16-bit addresses (MOVX @ DPTR). In this application, Port 2 uses strong internal pullups when emitting 1s. During accesses to external data memory that use 8-bit addresses (MOVX @ Ri [i = 0, 1]), Port 2 emits the contents of the P2 Special Function Register.  Port 2 also receives the high-order bits and some control signals during verification.

Table 1. Detailed Pin Description (*continued*)

Symbol	PDIP	PLCC	PQFP	I/O	Name and Function
P3.0-P3.7	10-17	11, 13-19	5, 7-13	I/O	<p><b>Port 3:</b> Port 3 is an 8-bit bidirectional I/O port with internal pullups. Port 3 pins that have 1s written to them are pulled high by the internal pullups and can be used as inputs. As inputs, Port 3 pins that are externally pulled low will source current because of the internal pullups. (See DC Characteristics: I<sub>IL</sub>).</p> <p>Port 3 also serves the special features of the IC80C54/58, as listed below:</p> <p><b>RxD (P3.0):</b> Serial input port.  <b>TxD (P3.1):</b> Serial output port.  <b>INT0 (P3.2):</b> External interrupt 0.  <b>INT1 (P3.3):</b> External interrupt 1.  <b>T0 (P3.4):</b> Timer 0 external input.  <b>T1 (P3.5):</b> Timer 1 external input.  <b>WR (P3.6):</b> External data memory write strobe.  <b>RD (P3.7):</b> External data memory read strobe.</p>
PSEN	29	32	26	O	<p><b>Program Store Enable:</b> The read strobe to external program memory. When the device is executing code from the external program memory, PSEN is activated twice each machine cycle except that two PSEN activations are skipped during each access to external data memory. PSEN is not activated during fetches from internal program memory.</p>
RST	9	10	4	I	<p><b>Reset:</b> A high on this pin for two machine cycles while the oscillator is running, resets the device. An internal MOS resistor to GND permits a power-on reset using only an external capacitor connected to Vcc.</p>
XTAL 1	19	21	15	I	<p><b>Crystal 1:</b> Input to the inverting oscillator amplifier and input to the internal clock generator circuits.</p>
XTAL 2	18	20	14	O	<p><b>Crystal 2:</b> Output from the inverting oscillator amplifier.</p>
GND	20	22	16	I	<p><b>Ground:</b> 0V reference.</p>
Vcc	40	44	38	I	<p><b>Power Supply:</b> This is the power supply voltage for operation.</p>

## OPERATING DESCRIPTION

The detail description of the IC80C54/58 included in this description are:

- **Memory Map and Registers**
- **The Timer/Counters**
- **The Serial Interface**
- **The Interrupt System**
- **Information**
- **Another information**

The detail information description of the IC80C54/58 refer to IC80C52/32 date sheet

## OTHER INFORMATION

### Reset

The reset input is the RST pin, which is the input to a Schmitt Trigger.

A reset is accomplished by holding the RST pin high for at least two machine cycles (24 oscillator periods), *while the oscillator is running*. The CPU responds by generating an internal reset, with the timing shown in Figure 7.

The external reset signal is asynchronous to the internal clock. The RST pin is sampled during State 5 Phase 2 of every machine cycle. The port pins will maintain their current activities for 19 oscillator periods after a logic 1 has been sampled at the RST pin; that is, for 19 to 31 oscillator periods after the external reset signal has been applied to the RST pin.

The internal reset algorithm writes 0s to all the SFRs except the port latches, the Stack Pointer, and SBUF. The port latches are initialized to FFH, the Stack Pointer to 07H, and SBUF is indeterminate. Table 9 lists the SFRs and their reset values.

Then internal RAM is not affected by reset. On power-up the RAM content is indeterminate.

Table 2. Reset Values of the SFR's

SFR Name	Reset Value
PC	0000H
ACC	00H
B	00H
PSW	00H
SP	07H
DPTR	0000H
P0-P3	FFH
IP	XX000000B
IE	0X000000B
TMOD	00H
TCON	00H
T2CON	00H
TH0	00H
TL0	00H
TH1	00H
TL1	00H
TH2	00H
TL2	00H
RCAP2H	00H
RCAP2L	00H
SCON	00H
SBUF	Indeterminate
PCON	0XXX0000B

### Power-on Reset

An automatic reset can be obtained when  $V_{cc}$  goes through a  $10\ \mu\text{F}$  capacitor and GND through an  $8.2\text{K}$  resistor, providing the  $V_{cc}$  rise time does not exceed  $1\ \text{msec}$  and the oscillator start-up time does not exceed  $10\ \text{msec}$ . This Power-on reset circuit is shown in Figure 21. The CMOS devices do not require the  $8.2\text{K}$  pulldown resistor, although its presence does no harm.

When power is turned on, the circuit holds the RST pin high for an amount of time that depends on the value of the capacitor and the rate at which it charges. To ensure a good reset, the RST pin must be high long enough to allow the oscillator time to start-up (normally a few msec) plus two machine cycles.

*Note that the port pins will be in a random state until the oscillator has start and the internal reset algorithm has written 1s to them.*

With this circuit, reducing  $V_{cc}$  quickly to 0 causes the RST pin voltage to momentarily fall below 0V. However, this voltage is internally limited and will not harm the device.

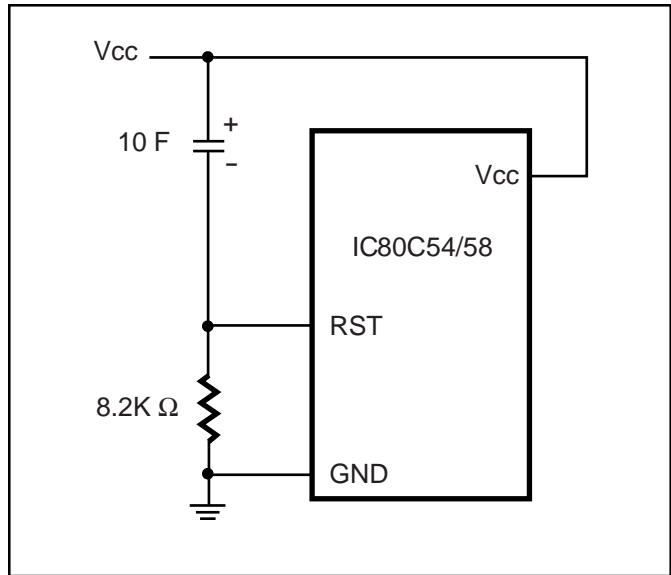


Figure 6. Power-On Reset Circuit

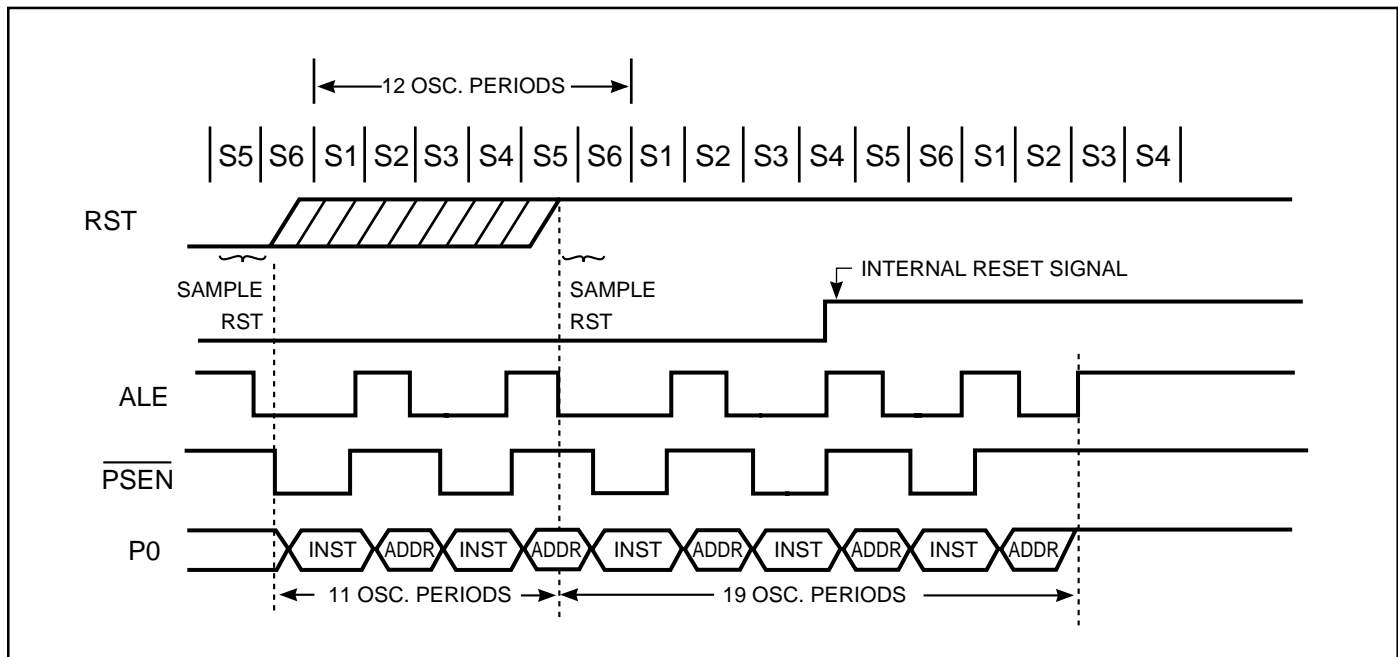


Figure 7. Reset Timing



## Power-Saving Modes of Operation

The IC80C54/58 has two power-reducing modes. Idle and Power-down. The input through which backup power is supplied during these operations is  $V_{cc}$ . Figure 23 shows the internal circuitry which implements these features. In the Idle mode ( $IDL = 1$ ), the oscillator continues to run and the Interrupt, Serial Port, and Timer blocks continue to be clocked, but the clock signal is gated off to the CPU. In Power-down ( $PD = 1$ ), the oscillator is frozen. The Idle and Power-down modes are activated by setting bits in Special Function Register PCON.

### Idle Mode

An instruction that sets  $PCON.0$  is the last instruction executed before the Idle mode begins. In the Idle mode, the internal clock signal is gated off to the CPU, but not to the Interrupt, Timer, and Serial Port functions. The CPU status is preserved in its entirety; the Stack Pointer, Program Counter, Program Status Word, Accumulator, and all other registers maintain their data during Idle. The port pins hold the logical states they had at the time Idle was activated.  $ALE$  and  $PSEN$  hold at logic high levels.

There are two ways to terminate the Idle. Activation of any enabled interrupt will cause  $PCON.0$  to be cleared by hardware, terminating the Idle mode. The interrupt will be serviced, and following  $RETI$  the next instruction to be executed will be the one following the instruction that put the device into Idle.

The flag bits  $GF0$  and  $GF1$  can be used to indicate whether an interrupt occurred during normal operation or during an Idle. For example, an instruction that activates Idle can also set one or both flag bits. When Idle is terminated by an interrupt, the interrupt service routine can examine the flag bits.

The other way of terminating the Idle mode is with a hardware reset. Since the clock oscillator is still running, the hardware reset must be held active for only two machine cycles (24 oscillator periods) to complete the reset.

The signal at the  $RST$  pin clears the  $IDL$  bit directly and asynchronously. At this time, the CPU resumes program execution from where it left off; that is, at the instruction following the one that invoked the Idle Mode. As shown in Figure 22, two or three machine cycles of program execution may take place before the internal reset algorithm takes control. On-chip hardware inhibits access to the internal RAM during his time, but access to the port pins is not inhibited. To eliminate the possibility of unexpected outputs at the port pins, the instruction following the one that invokes Idle should not write to a port pin or to external data RAM.

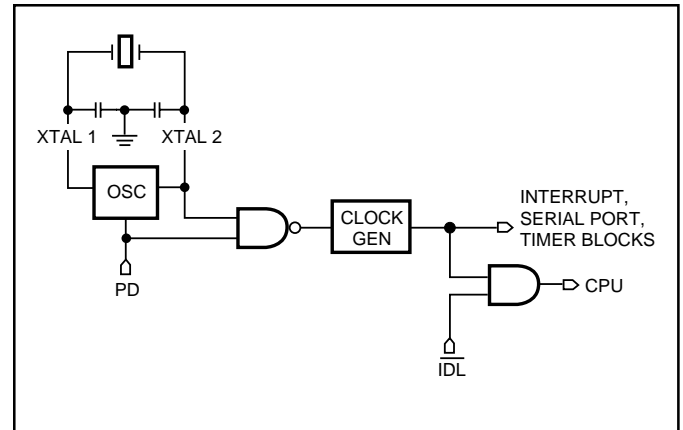


Figure 8. Idle and Power-Down Hardware

### Power-down Mode

An instruction that sets  $PCON.1$  is the last instruction executed before Power-down mode begins. In the Power-down mode, the on-chip oscillator stops. With the clock frozen, all functions are stopped, but the on-chip RAM and Special function Registers are held. The port pins output the values held by their respective SFRs.  $ALE$  and  $PSEN$  output lows.

In the Power-down mode of operation,  $V_{cc}$  can be reduced to as low as 2V. However,  $V_{cc}$  must not be reduced before the Power-down mode is invoked, and  $V_{cc}$  must be restored to its normal operating level before the Power-down mode is terminated. The reset that terminates Power-down also frees the oscillator. The reset should not be activated before  $V_{cc}$  is restored to its normal operating level and must be held active long enough to allow the oscillator to restart and stabilize (normally less than 10 msec).

The only exit from Power-down is a hardware reset. Reset redefines all the SFRs but does not change the on-chip RAM.

Table 3. Status of the External Pins During Idle and Power-down Modes.

Mode	Memory	ALE	$\overline{\text{PSEN}}$	PORT 0	PORT 1	PORT 2	PORT 3
Idle	Internal	1	1	Data	Data	Data	Data
Idle	External	1	1	Float	Data	Address	Data
Power-down	Internal	0	0	Data	Data	Data	Data
Power-down	External	0	0	Float	Data	Data	Data

### On-Chip Oscillators

The on-chip oscillator circuitry of the IC80C54/58 is a single stage inverter, intended for use as a crystal-controlled, positive reactance oscillator. In this application the crystal is operated in its fundamental response mode as an inductive reactance in parallel resonance with capacitance external to the crystal (Figure 9). Examples of how to drive the clock with external oscillator are shown in Figure 10.

The crystal specifications and capacitance values (C1 and C2 in Figure 9) are not critical. 20 pF to 30 pF can be used in these positions at a 12 MHz to 24 MHz frequency with good quality crystals. (For ranges greater than 24 MHz refer to Figure 11.) A ceramic resonator can be used in place of the crystal in cost-sensitive applications. When a ceramic resonator is used, C1 and C2 are normally selected to be of somewhat higher values. The manufacturer of the ceramic resonator should be consulted for recommendation on the values of these capacitors.

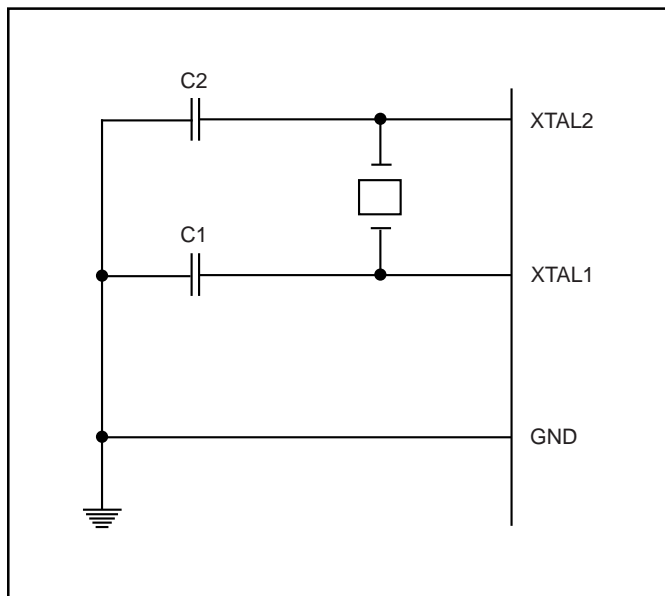


Figure 9. Oscillator Connections

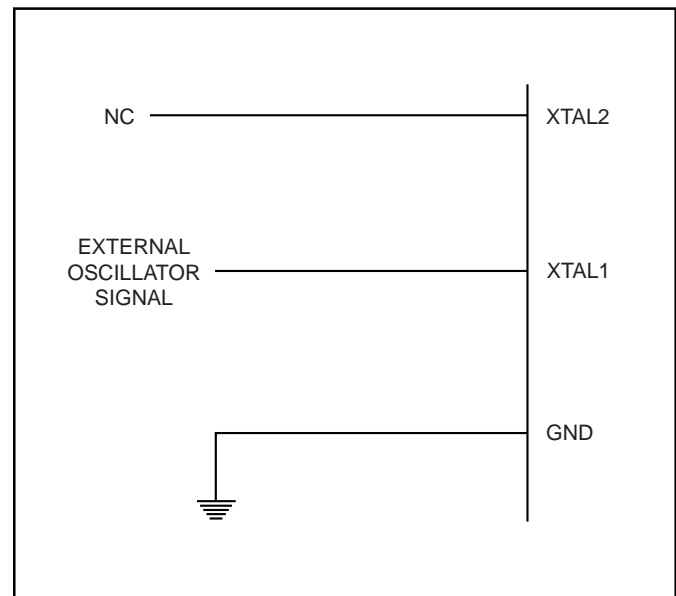


Figure 10. External Clock Drive Configuration

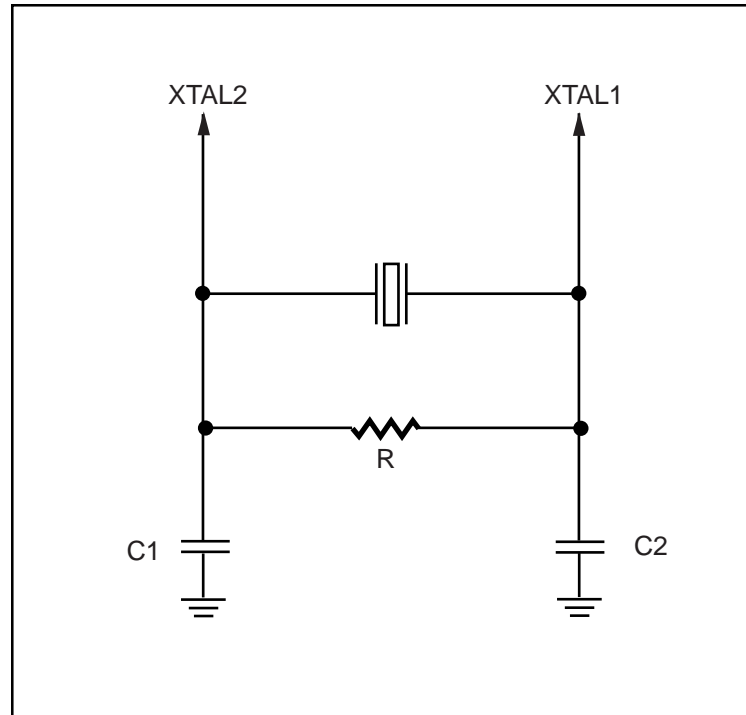


Figure 11. Oscillator Connections for High Speed (> 24 MHz)

**Note:**

When the frequency is higher than 24 MHz, please refer to Table 4 for recommended values of C1, C2, and R.

Table 4. Recommended Value for C1, C2, R

	Frequency Range	
	3.5 MHz - 24 MHz	24 MHz - 40 MHz
C1	20 pF-30 pF	3 pF-10 pF
C2	20 pF-30 pF	3 pF-10 pF
R	Not Apply	6.2K-10K

**ROM Verification**

The address of the program memory location to be read is applied to Port 1 and pins P2.5-P2.0 (A14 is P3.4 for IC80C58). The other pins should be held at the “Verify” level are indicated in Figure 12. The contents of the addressed locations exits on Port 0. External pullups are required on Port 0 for this operation. Figure 12 shows the setup to verify the program memory.

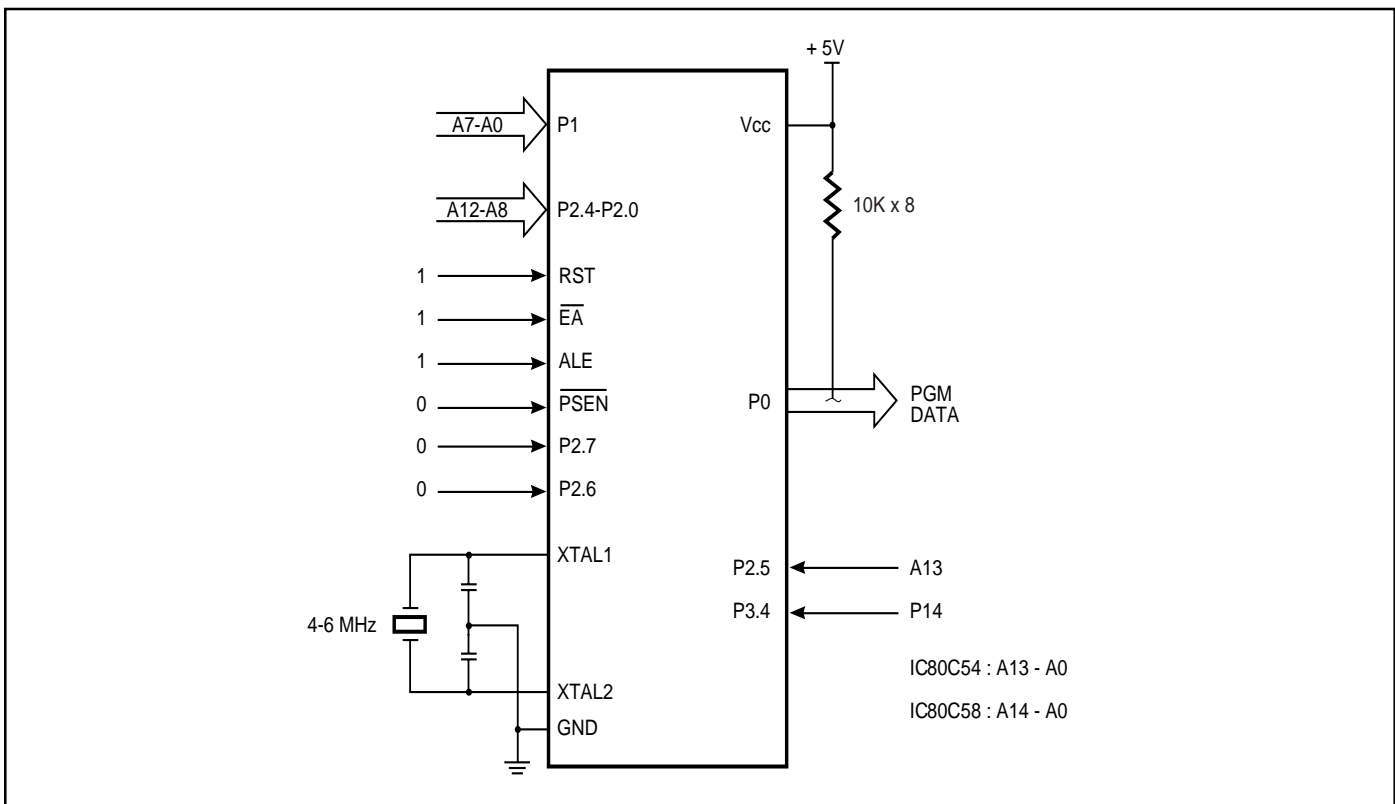


Figure 12. ROM Verification

## ROM Lock System

The ICSI 80C54/58 contains two Program Memory Locking:

### Security Bit 1:

When programmed, this bit two effects on masked ROM parts:

- 1) External MOV<sub>C</sub> is disable, and
- 2) EA pin is latch on reset.

### Security Bit2:

When programmed, this bit inhibits Verify User ROM.

## ABSOLUTE MAXIMUM RATINGS<sup>(1)</sup>

Symbol	Parameter	Value	Unit
V <sub>TERM</sub>	Terminal Voltage with Respect to GND <sup>(2)</sup>	-2.0 to +7.0	V
T <sub>BIAS</sub>	Temperature Under Bias <sup>(3)</sup>	0 to +70	°C
T <sub>STG</sub>	Storage Temperature	-65 to +125	°C
P <sub>T</sub>	Power Dissipation	1.5	W

**Note:**

1. Stress greater than those listed under ABSOLUTE MAXIMUM RATINGS may cause permanent damage to the device. This is a stress rating only and functional operation of the device at these or any other conditions above those indicated in the operational sections of this specification is not implied. Exposure to absolute maximum rating conditions for extended periods may affect reliability.
2. Minimum DC input voltage is -0.5V. During transitions, inputs may undershoot to -2.0V for periods less than 20 ns. Maximum DC voltage on output pins is V<sub>CC</sub> + 0.5V which may overshoot to V<sub>CC</sub> + 2.0V for periods less than 20 ns.
3. Operating temperature is for commercial products only defined by this specification.

## OPERATING RANGE<sup>(1)</sup>

Range	Ambient Temperature	V <sub>CC</sub>	Oscillator Frequency
Commercial	0°C to +70°C	5V ± 10%	3.5 to 40 MHz

**Note:**

1. Operating ranges define those limits between which the functionality of the device is guaranteed.

## DC CHARACTERISTICS

( $T_a=0^{\circ}\text{C}$  to  $70^{\circ}\text{C}$ ;  $V_{CC}=5\text{V}+10\%$ ;  $V_{SS}=0\text{V}$ )

Symbol	Parameter	Test conditions	Min	Max	Unit
$V_{IL}$	Input low voltage (All except $\overline{EA}$ )		-0.5	$0.2V_{CC} - 0.1$	V
$V_{IL1}$	Input low voltage ( $\overline{EA}$ )		-0.5	$0.2V_{CC} - 0.3$	V
$V_{IH}$	Input high voltage (All except XTAL 1, RST)		$0.2V_{CC} + 0.9$	$V_{CC} + 0.5$	V
$V_{IH1}$	Input high voltage (XTAL 1)		$0.7V_{CC}$	$V_{CC} + 0.5$	V
$V_{SCH+}$	RST positive schmitt-trigger threshold voltage		$0.7V_{CC}$	$V_{CC} + 0.5$	V
$V_{SCH-}$	RST negative schmitt-trigger threshold voltage		0	$0.3V_{CC}$	V
$V_{OL}^{(1)}$	Output low voltage (Ports 1, 2, 3)	$I_{OL} = 100 \mu\text{A}$	—	0.3	V
		$I_{OL} = 1.6 \text{ mA}$	—	0.45	V
		$I_{OL} = 3.5 \text{ mA}$	—	1.0	V
$V_{OL1}^{(1)}$	Output low voltage (Port 0, ALE, $\overline{PSEN}$ )	$I_{OL} = 200 \mu\text{A}$	—	0.3	V
		$I_{OL} = 3.2 \text{ mA}$	—	0.45	V
		$I_{OL} = 7.0 \text{ mA}$	—	1.0	V
$V_{OH}$	Output high voltage (Ports 1, 2, 3, ALE, $\overline{PSEN}$ )	$I_{OH} = -10 \mu\text{A}$ $V_{CC} = 4.5\text{V}-5.5\text{V}$	$0.9V_{CC}$	—	V
		$I_{OL} = -25 \mu\text{A}$	$0.75V_{CC}$	—	V
		$I_{OL} = -60 \mu\text{A}$	2.4	—	V
$V_{OH1}$	Output high voltage (Port 0, ALE, $\overline{PSEN}$ )	$I_{OH} = -80 \mu\text{A}$ $V_{CC} = 4.5\text{V}-5.5\text{V}$	$0.9V_{CC}$	—	V
		$I_{OH} = -300 \mu\text{A}$	$0.75V_{CC}$	—	V
		$I_{OH} = -800 \mu\text{A}$	2.4	—	V
$I_{IL}$	Logical 0 input current (Ports 1, 2, 3)	$V_{IN} = 0.45\text{V}$	—	-50	$\mu\text{A}$
$I_{LI}$	Input leakage current (Port 0)	$0.45\text{V} < V_{IN} < V_{CC}$	-10	+10	$\mu\text{A}$
$I_{TL}$	Logical 1-to-0 transition current (Ports 1, 2, 3)	$V_{IN} = 2.0\text{V}$	—	-650	$\mu\text{A}$
$R_{RST}$	RST pulldown resistor		50	300	$\text{K}\Omega$

### Note:

1. Under steady state (non-transient) conditions,  $I_{OL}$  must be externally limited as follows:

Maximum  $I_{OL}$  per port pin: 10 mA

Maximum  $I_{OL}$  per 8-bit port

Port 0: 26 mA

Ports 1, 2, 3: 15 mA

Maximum total  $I_{OL}$  for all output pins: 71 mA

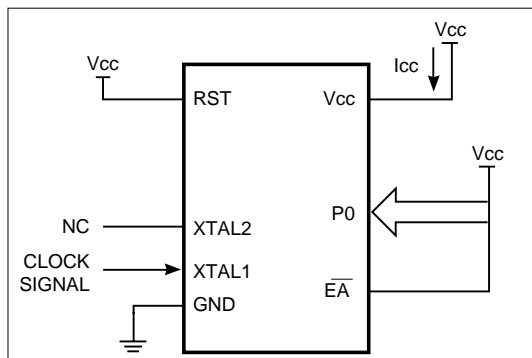
If  $I_{OL}$  exceeds the test condition,  $V_{OL}$  may exceed the related specification.

**POWER SUPPLY CHARACTERISTICS**

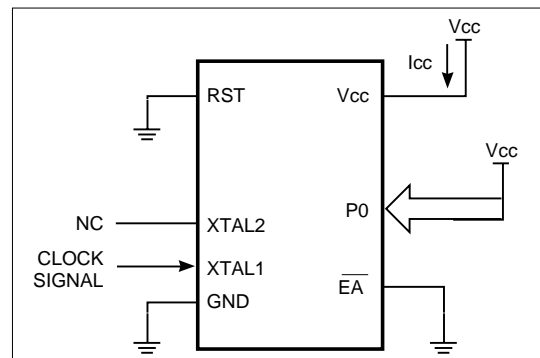
Symbol	Parameter	Test conditions	Min	Max	Unit		
I <sub>cc</sub>	Power supply current <sup>(1)</sup>	V <sub>cc</sub> = 5.0V					
			Active mode	12 MHz	—	20	mA
				16 MHz	—	26	mA
				20 MHz	—	32	mA
				25 MHz	—	38	mA
				36 MHz	—	50	mA
				40 MHz	—	62	mA
			Idle mode	12 MHz	—	5	mA
				16 MHz	—	6	mA
				20 MHz	—	7.6	mA
				25 MHz	—	9	mA
				36 MHz	—	12	mA
				40 MHz	—	15	mA
			Power-down mode	V <sub>cc</sub> = 5V	—	100	μA

**Note:**

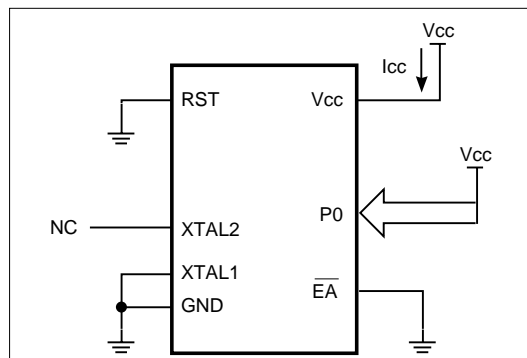
1. See Figures 13, 14, 15, and 16 for I<sub>cc</sub> test conditions.



**Figure 13. Active Mode**



**Figure 14. Idle Mode**



**Figure 15. Power-down Mode**

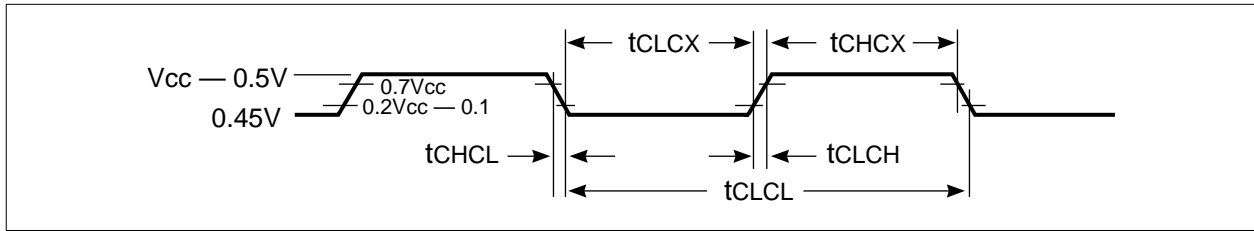


Figure 16. Clock Signal Waveform for  $I_{cc}$  Tests in Active and Idle Mode ( $t_{CLCH}=t_{CHCL}=5$  ns)

## EXTERNAL MEMORY CHARACTERISTICS

Symbol	Parameter	24 MHz Clock		40 MHz Clock		Variable Oscillator (3.5 - 40 MHz)		Unit
		Min	Max	Min	Max	Min	Max	
$1/t_{CLCL}$	Oscillator frequency	—	—	—	—	3.5	40	MHz
$t_{LHLL}$	ALE pulse width	68	—	35	—	$2t_{CLCL}-15$	—	ns
$t_{AVLL}$	Address valid to ALE low	26	—	10	—	$t_{CLCL}-15$	—	ns
$t_{LLAX}$	Address hold after ALE low	31	—	15	—	$t_{CLCL}-10$	—	ns
$t_{LLIV}$	ALE low to valid instr in	—	147	—	80	—	$4t_{CLCL}-20$	ns
$t_{LLPL}$	ALE low to $\overline{PSEN}$ low	31	—	15	—	$t_{CLCL}-10$	—	ns
$t_{PLPH}$	$\overline{PSEN}$ pulse width	110	—	60	—	$3t_{CLCL}-15$	—	ns
$t_{PLIV}$	$\overline{PSEN}$ low to valid instr in	—	105	—	55	—	$3t_{CLCL}-20$	ns
$t_{PXIX}$	Input instr hold after $\overline{PSEN}$	0	—	0	—	0	—	ns
$t_{PXIZ}$	Input instr float after $\overline{PSEN}$	—	37	—	20	—	$t_{CLCL}-5$	ns
$t_{AVIV}$	Address to valid instr in	—	188	—	105	—	$5t_{CLCL}-20$	ns
$t_{PLAZ}$	$\overline{PSEN}$ low to address float	—	10	—	10	—	10	ns
$t_{RLRH}$	$\overline{RD}$ pulse width	230	—	130	—	$6t_{CLCL}-20$	—	ns
$t_{WLWH}$	$\overline{WR}$ pulse width	230	—	130	—	$6t_{CLCL}-20$	—	ns
$t_{RLDV}$	$\overline{RD}$ low to valid data in	—	157	—	90	—	$4t_{CLCL}-10$	ns
$t_{RHDX}$	Data hold after $\overline{RD}$	0	—	0	—	0	—	ns
$t_{RHDX}$	Data float after $\overline{RD}$	—	78	—	45	—	$2t_{CLCL}-5$	ns
$t_{LLDV}$	ALE low to valid data in	—	282	—	165	—	$7t_{CLCL}-10$	ns
$t_{AVDV}$	Address to valid data in	—	323	—	190	—	$8t_{CLCL}-10$	ns
$t_{LLWL}$	ALE low to $\overline{RD}$ or $\overline{WR}$ low	105	145	55	95	$3t_{CLCL}-20$	$3t_{CLCL}+20$	ns
$t_{AVWL}$	Address to $\overline{RD}$ or $\overline{WR}$ low	146	—	80	—	$4t_{CLCL}-20$	—	ns
$t_{QVWX}$	Data valid to $\overline{WR}$ transition	26	—	10	—	$t_{CLCL}-15$	—	ns
$t_{WHQX}$	Data hold after $\overline{WR}$	31	—	15	—	$t_{CLCL}-10$	—	ns
$t_{RLAZ}$	$\overline{RD}$ low to address float	—	0	—	0	—	0	ns
$t_{WHLH}$	$\overline{RD}$ or $\overline{WR}$ high to ALE high	26	57	10	40	$t_{CLCL}-15$	$t_{CLCL}+15$	ns



## EXTERNAL MEMORY CHARACTERISTICS

Symbol	Parameter	24 MHz Clock		40 MHz Clock		Variable Oscillator (3.5-40 MHz)		Unit
		Min	Max	Min	Max	Min	Max	
t <sub>XLXL</sub>	Serial port clock cycle time	490	510	290	310	12t <sub>CLCL</sub> -10	12t <sub>CLCL</sub> +10	ns
t <sub>QVXH</sub>	Output data setup to clock rising edge	406	—	240	—	10t <sub>CLCL</sub> -10	—	ns
t <sub>XHQX</sub>	Output data hold after clock rising edge	73	—	40	—	2t <sub>CLCL</sub> -10	—	ns
t <sub>XHDX</sub>	Input data hold after clock rising edge	0	—	0	—	0	—	ns
t <sub>XHDV</sub>	Clock rising edge to input data valid	—	417	—	250	—	10t <sub>CLCL</sub>	ns

## EXTERNAL CLOCK DRIVE

Symbol	Parameter	Min	Max	Unit
1/t <sub>CLCL</sub>	Oscillator Frequency	3.5	40	MHz
t <sub>CHCX</sub>	High time	10	—	ns
t <sub>CLCX</sub>	Low time	10	—	ns
t <sub>CLCH</sub>	Rise time	—	10	ns
t <sub>CHCL</sub>	Fall time	—	10	ns

## ROM VERIFICATION CHARACTERISTICS

Symbol	Parameter	Min	Max	Unit
1/t <sub>CLCL</sub>	Oscillator Frequency	4	6	MHz
t <sub>AVQV</sub>	Address to data valid	—	40t <sub>CLCL</sub>	
t <sub>ELQV</sub>	ENABLE low to data valid	—	48t <sub>CLCL</sub>	
t <sub>EHQZ</sub>	Data float after ENABLE	0	48t <sub>CLCL</sub>	

TIMING WAVEFORMS

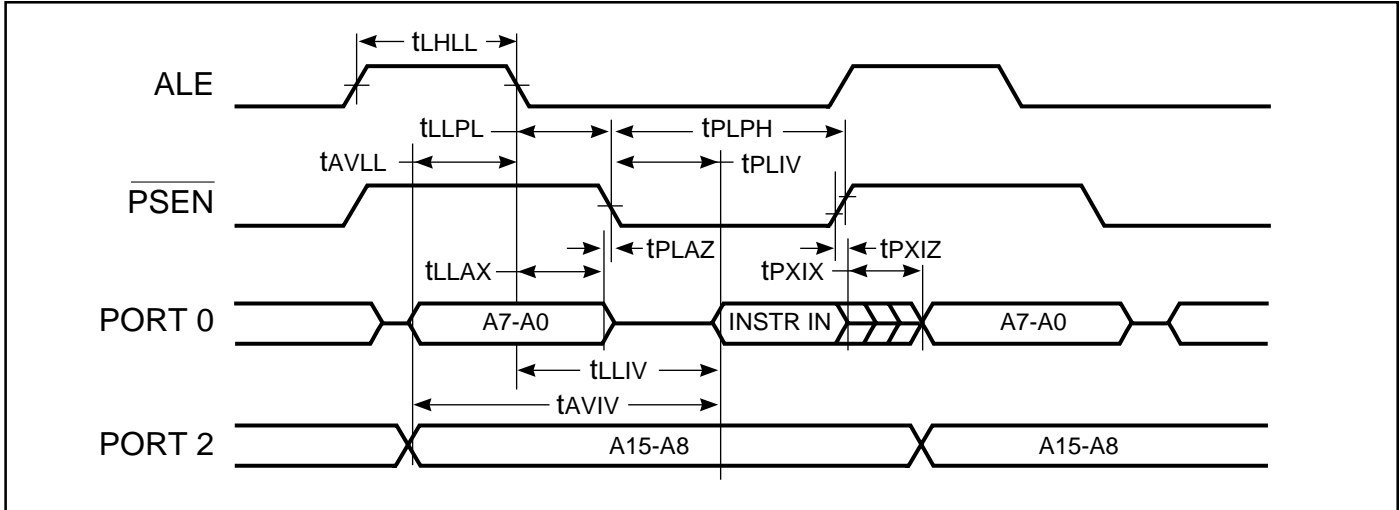


Figure 17. External Program Memory Read Cycle

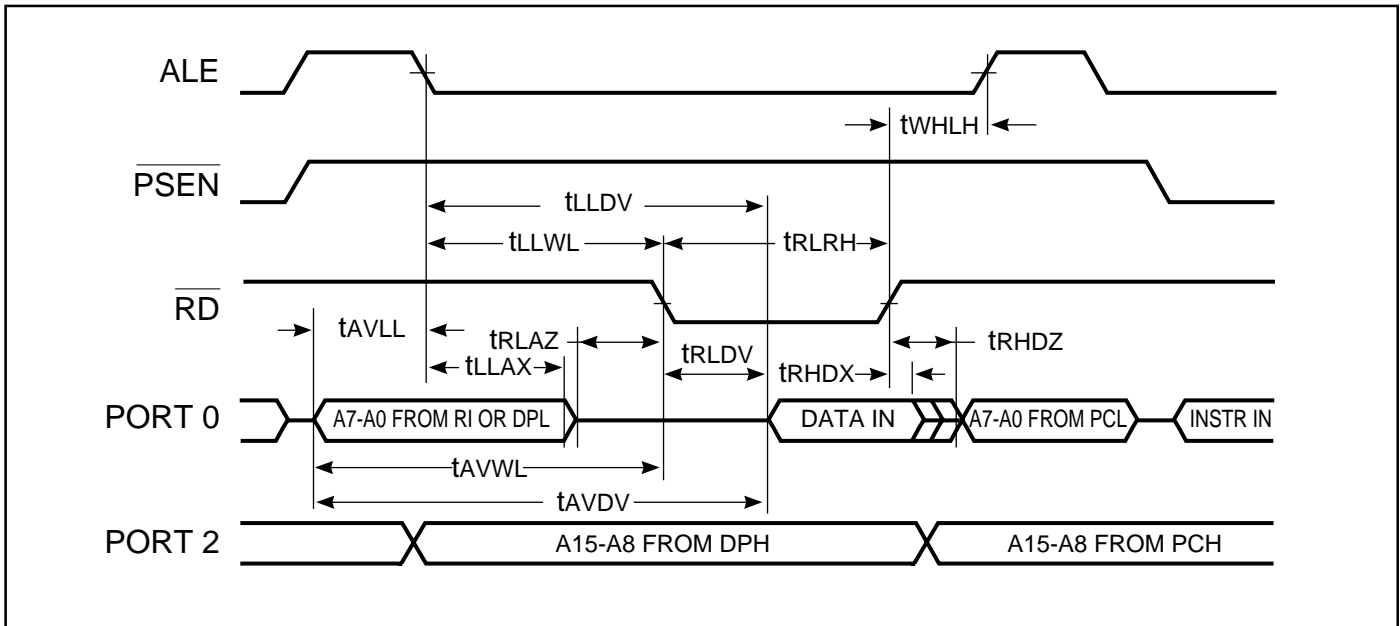


Figure 18. External Data Memory Read Cycle

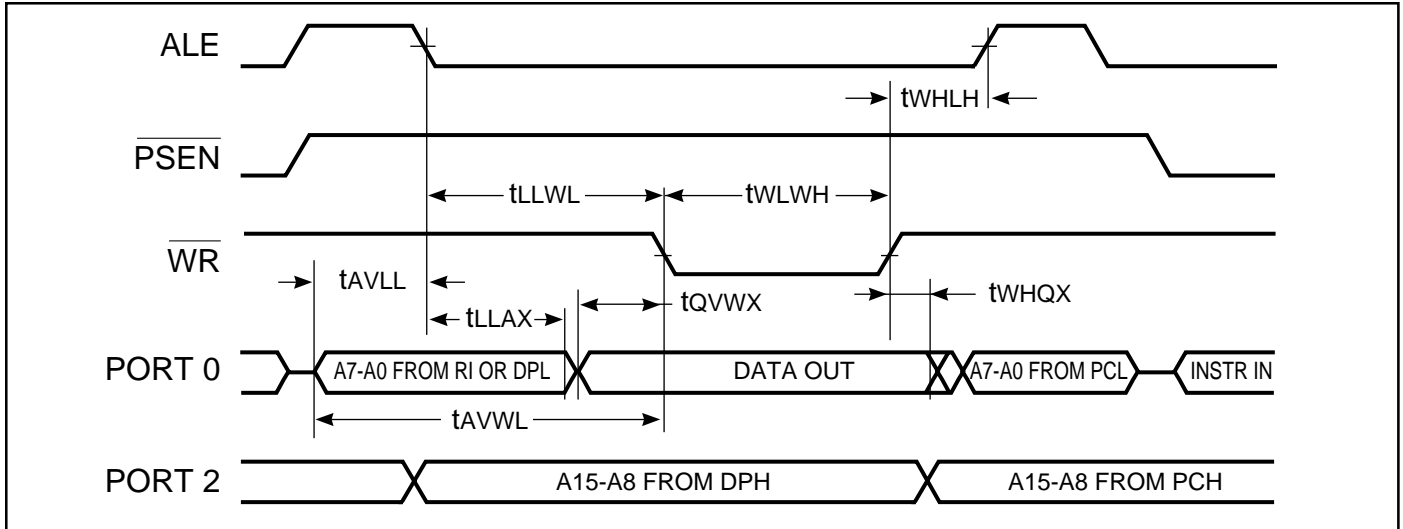


Figure 19. External Data Memory Write Cycle

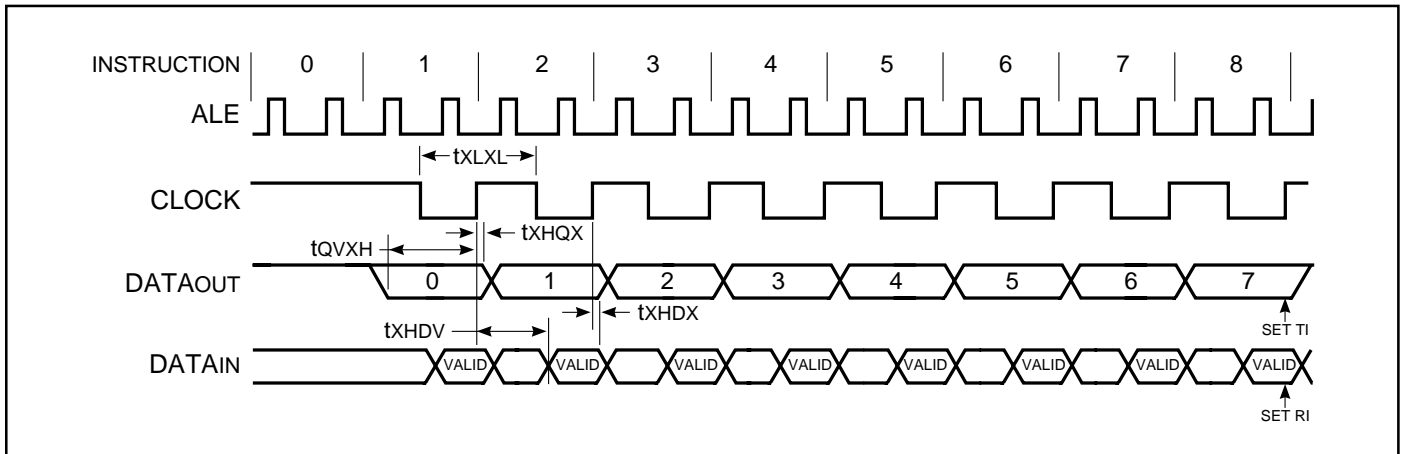


Figure 20. Shift Register Mode Timing Waveform

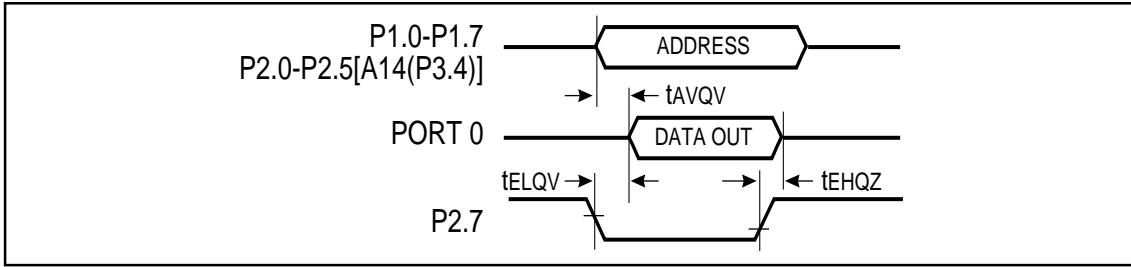


Figure 21. ROM Verification Waveforms

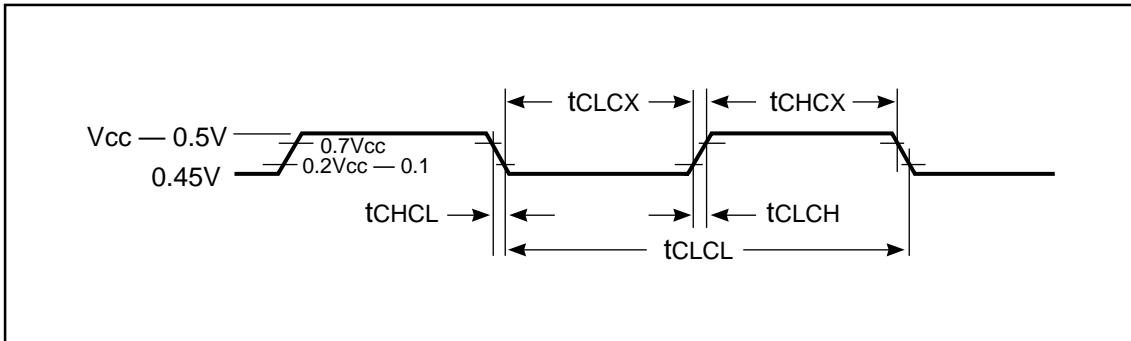


Figure 22. External Clock Drive Waveforms

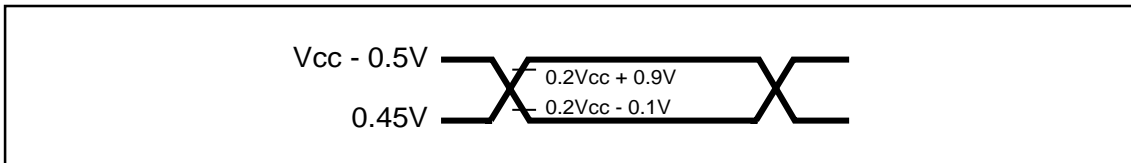


Figure 23. AC Test Point

**Note:**

1. AC inputs during testing are driven at  $V_{CC} - 0.5V$  for logic "1" and  $0.45V$  for logic "0". Timing measurements are made at  $V_{IH \text{ min}}$  for logic "1" and max for logic "0".

**ORDERING INFORMATION**  
**Commercial Temperature: 0°C to +70°C**

Speed	Order Part Number	Package
12 MHz	IC80C54/58-12PL	PLCC
	IC80C54/58-12PQ	PQFP
	IC80C54/58-12W	600mil DIP
24 MHz	IC80C54/58-24PL	PLCC
	IC80C54/58-24PQ	PQFP
	IC80C54/58-24W	600mil DIP
40 MHz	IC80C54/58-40PL	PLCC
	IC80C54/58-40PQ	PQFP
	IC80C54/58-40W	600mil DIP



***Integrated Circuit Solution Inc.***

HEADQUARTER:  
NO.2, TECHNOLOGY RD. V, SCIENCE-BASED INDUSTRIAL PARK,  
HSIN-CHU, TAIWAN, R.O.C.  
TEL: 886-3-5780333  
Fax: 886-3-5783000

BRANCH OFFICE:  
7F, NO. 106, SEC. 1, HSIN-TAI 5<sup>TH</sup> ROAD,  
HSICHIH TAIPEI COUNTY, TAIWAN, R.O.C.  
TEL: 886-2-26962140  
FAX: 886-2-26962252  
<http://www.icsi.com.tw>

