

GC79...R

BAR CLAMP FOR HOCKEY PUK DEVICES

- Clamping total thickness of assembly from 16mm to 119mm
- Pre-loaded to the specific clamping force (10 ÷ 20 kN)
- Maximum device diameter: 66mm
- Surface passivation to provide extra protection
- Hexagon head bolt partially threaded M8x1.25, UNI5737, 8.8 steel
- Various lengths of bolts and insulators
- Round shaped clamping head for optimal clamping force application
- Four styles available
- User friendly clamping force indicator
- UL94 certified insulation material

Parameter	Unit	Types	Testing conditions	Notes	Values			
					Min	Typ	Max	
Weight	g	GC79S...R			550		650	
		GC79B...R			830		970	
Clamping Force*	kN	GC79...10R				10		
		GC79...12R				12		
		GC79...15R					15	
		GC70...20R					20	
Clamping Force tolerance						± 10%		
Insulation Voltage	V _{RMS}		1 min			3000		
Insulating Material				Noryl ® **				
UL File				E121562				
Max. working temperature	°C				-30		110	
Creepage distance:	mm					28		
Clearance distance:	mm					20.3		
Storage temperature	°C				-40		110	
Flammability	mm			UL94 V-1 Flame class rating		1.5		
	mm			UL94 V-0 Flame class rating		8.00		
	mm			CSA Flammability		1.00		

* Other clamping forces available: contact factory

** Noryl ® is a registered trade mark of General Electric

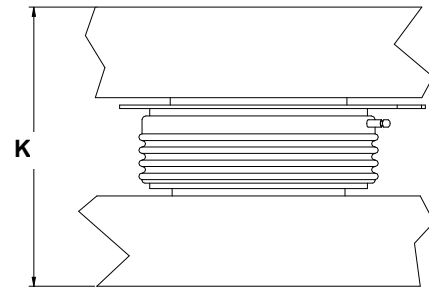


ORDERING INFORMATION TABLE

Clamps can be ordered using the following part numbering system

GC79	B	N	A	B	15	R	S
(1)	(2)	(3)	(4)	(5)	(6)		

(1) Construction type:	B = with double bar S = with single bar
(2) Insulator position:	N = upper side R = lower side
(3) Insulator code:	see table below
(4) Bolt code:	see table below
(5) Clamping force (in kN):	10 12 15 20
(6) Special accessories	blank = no accessories S = extra bar spacer D = pressure disc in place of pressure bar


K: Total thickness of the assembly to be clamped

 For thicknesses $S'_{Min} < K < S_{Min}$ an additional 4mm thick bar spacer is needed (see list of special accessories)

Type GC79BN...R: suggested insulator/bolt types

Allowed clearance S			Insulator choice		Bolt choice		Max height
S'_{Min} [mm]**	S_{Min} [mm]	S_{Max} [mm]	(3)	Ins. Length [mm]	(4)	Bolt Length [mm]	T [mm]
16	20	35	A	50	Z	100	110
26	30	45	A	50	A	110	120
36	40	55	B	70	B	120	130
46	50	65	B	70	C	130	140
56	60	75	C	95	D	140	150
66	70	85	C	95	E	150	160
76	80	95	C	95	F	160	170

** with additional bar spacer only

Type GC79BR...R: suggested insulator/bolt types

Allowed clearance S			Insulator choice		Bolt choice		Max height
S'_{Min} [mm]**	S_{Min} [mm]	S_{Max} [mm]	(3)	Ins. Length [mm]	(4)	Bolt Length [mm]	T [mm]
16	20	35	A	50 ***	Z	100	124
26	30	45	A	50	A	110	134
36	40	55	A	50	B	120	144
46	50	65	B	70	C	130	154
56	60	75	B	70	D	140	164
66	70	85	B	70	E	150	174
76	80	95	C	95	F	160	184

** with additional bar spacer only

 *** For S_{MAX}
Type GC79SN...R: suggested insulator/bolt types

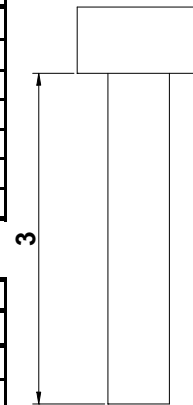
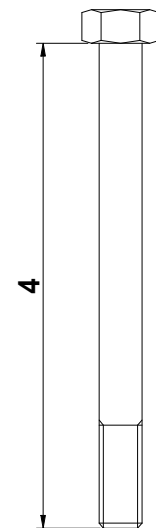
Allowed clearance S			Insulator choice		Bolt choice		Max height
S'_{Min} [mm]**	S_{Min} [mm]	S_{Max} [mm]	(3)	Ins. Length [mm]	(4)	Bolt Length [mm]	T [mm]
25	29	44	A	50	Z	100	110
35	39	54	B	70	A	110	120
45	49	64	B	70	B	120	130
55	59	74	C	95	C	130	140
65	69	84	C	95	D	140	150
75	79	94	C	95	E	150	160
85	89	104	D	120	F	160	170

** with additional bar spacer only

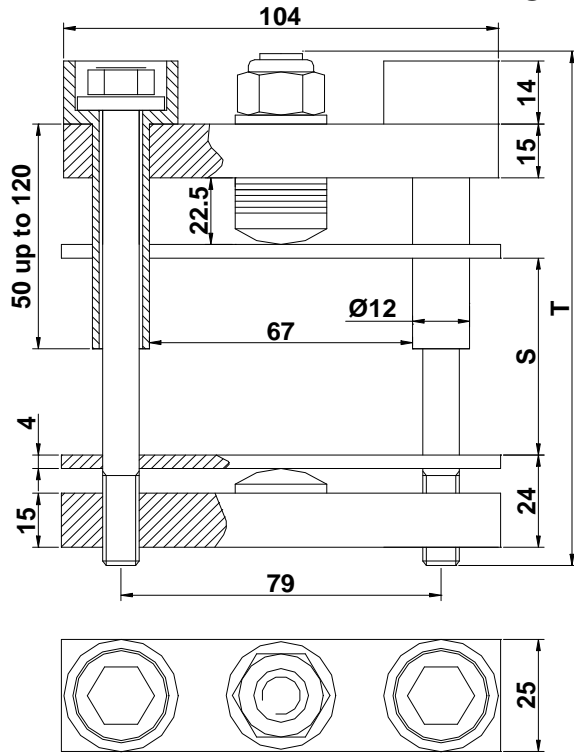
Type GC79SR...R: suggested insulator/bolt types

Allowed clearance S			Insulator choice		Bolt choice		Max height
S'_{Min} [mm]**	S_{Min} [mm]	S_{Max} [mm]	(3)	Ins. Length [mm]	(4)	Bolt Length [mm]	T [mm]
40	44	59	A	50	Z	100	124
50	54	69	B	70	A	110	134
60	64	79	B	70	B	120	144
70	74	89	C	95	C	130	154
80	84	99	C	95	D	140	164
90	94	109	C	95	E	150	174
100	104	119	D	120	F	160	184

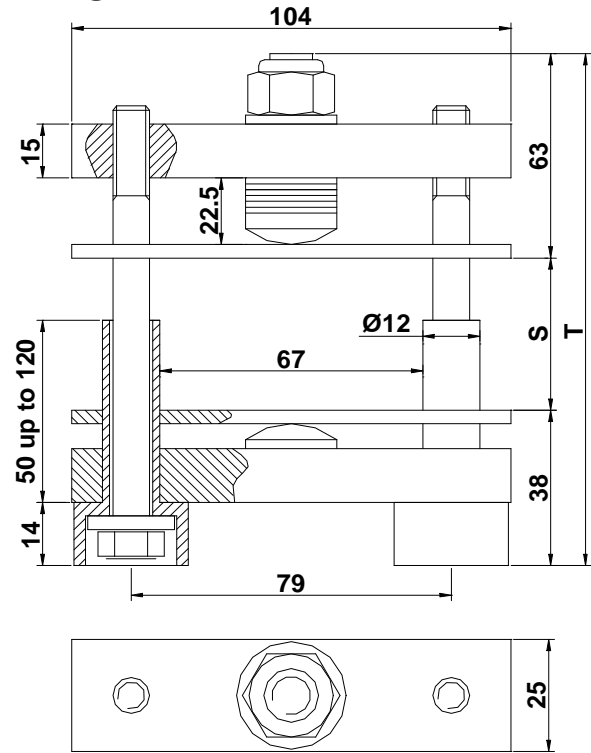
** with additional bar spacer only


3

4

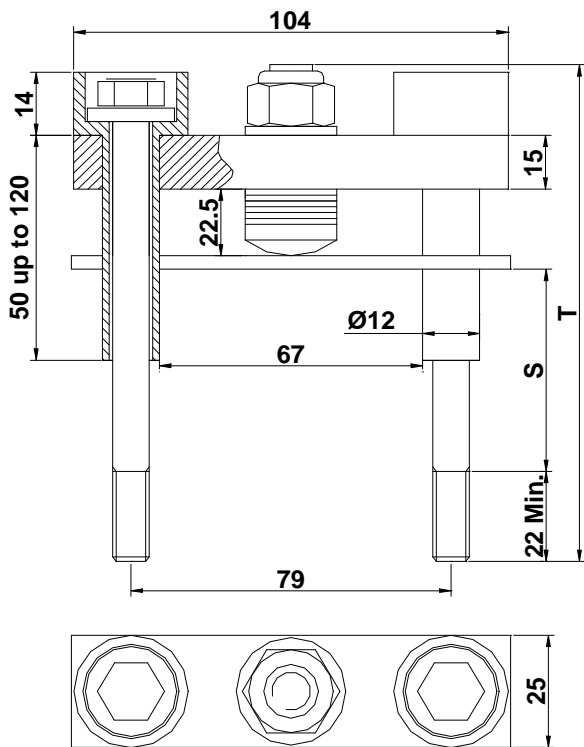
BAR CLAMP OUTLINES



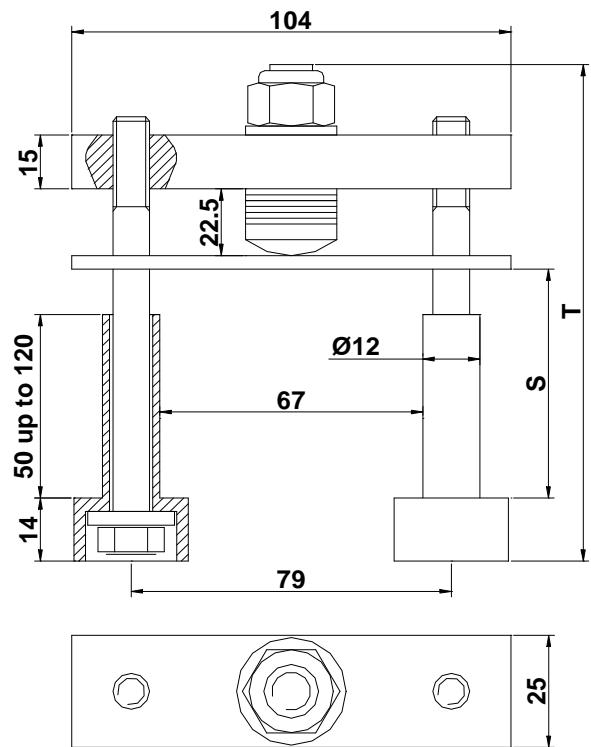
GC79BN...R



GC79BR...R

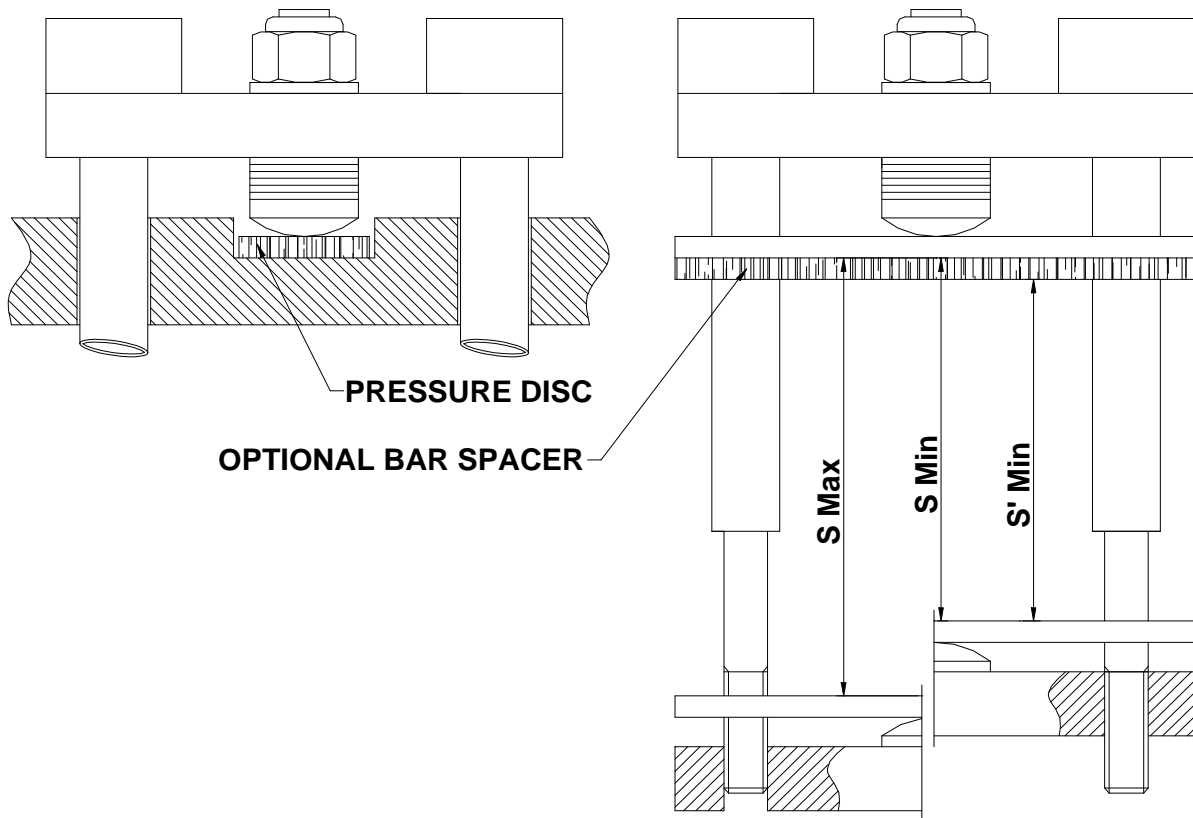


GC79SN...R



GC79SR...R

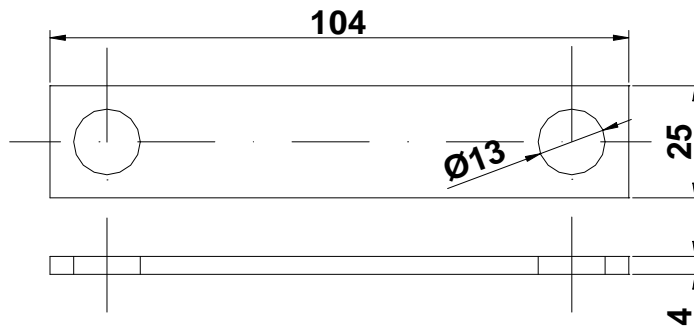
Dimensions in mm - Tolerances according to ISO 2768 MK



SPECIAL ACCESSORIES

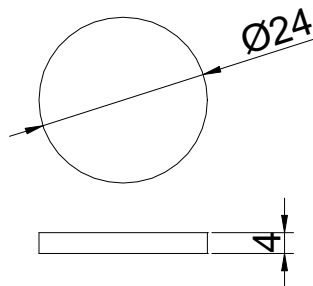
The following special accessories are available on request (see ordering information table)

Bar spacer



Pressure disc

Useful for grooved heatsink
Suggested groove diameter 27mm +/- 0.5



Dimensions in mm - Tolerances according to ISO 2768 MK

In the interest of product improvement Green Power Solutions reserves the right to change any specification given in this data sheet without notice.