

Silicon NPN Power Transistors

2SC4928

**DESCRIPTION**

- With TO-3PL package
- High speed switching
- High breakdown voltage,high current

**APPLICATIONS**

- Character display horizontal deflection output applications

**PINNING**

PIN	DESCRIPTION
1	Base
2	Collector;connected to mounting base
3	Emitter

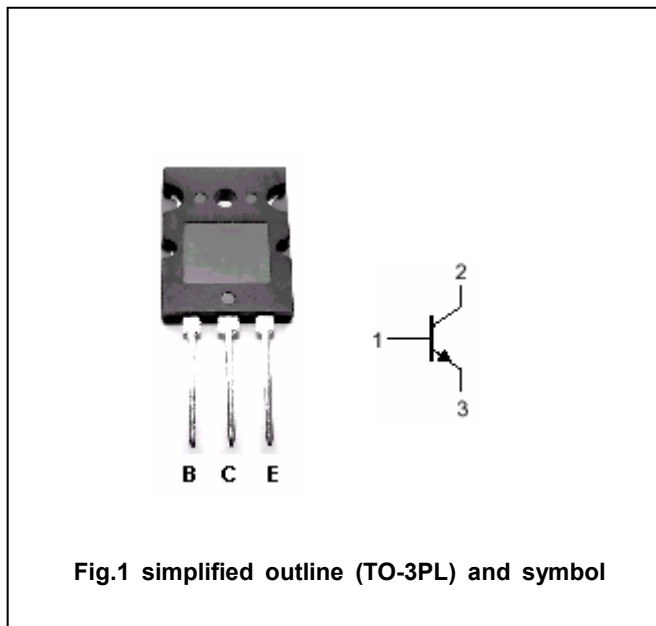


Fig.1 simplified outline (TO-3PL) and symbol

**Absolute maximum ratings(Ta=25°C)**

SYMBOL	PARAMETER	CONDITIONS	VALUE	UNIT
V <sub>CBO</sub>	Collector-base voltage	Open emitter	1500	V
V <sub>CEO</sub>	Collector-emitter voltage	Open base	800	V
V <sub>EBO</sub>	Emitter-base voltage	Open collector	6	V
I <sub>C</sub>	Collector current		15	A
I <sub>C(surge)</sub>	Collector surge current		20	A
P <sub>C</sub>	Collector power dissipation	T <sub>C</sub> =25°C	150	W
T <sub>j</sub>	Junction temperature		150	°C
T <sub>stg</sub>	Storage temperature		-55~150	°C

## Silicon NPN Power Transistors

## 2SC4928

## CHARACTERISTICS

T<sub>j</sub>=25 °C unless otherwise specified

SYMBOL	PARAMETER	CONDITIONS	MIN	TYP.	MAX	UNIT
V <sub>(BR)CEO</sub>	Collector-emitter breakdown voltage	I <sub>C</sub> =10mA; R <sub>BE</sub> =∞	800			V
V <sub>(BR)EBO</sub>	Emitter-base breakdown voltage	I <sub>E</sub> =10mA; I <sub>C</sub> =0	6			V
V <sub>CEsat</sub>	Collector-emitter saturation voltage	I <sub>C</sub> =12A; I <sub>B</sub> =3A			5.0	V
V <sub>BEsat</sub>	Base-emitter saturation voltage	I <sub>C</sub> =12A; I <sub>B</sub> =3A			1.5	V
I <sub>CES</sub>	Collector cut-off current	V <sub>CB</sub> =1500V; R <sub>BE</sub> =0			500	μA
I <sub>EBO</sub>	Emitter cut-off current	V <sub>EB</sub> =6V; I <sub>C</sub> =0			500	μA
h <sub>FE</sub>	DC current gain	I <sub>C</sub> =1A; V <sub>CE</sub> =5V			38	
t <sub>f</sub>	Fall time	I <sub>C</sub> =8A; I <sub>B1</sub> =1.4A; I <sub>B2</sub> ≈-2.5A f <sub>H</sub> =31.5kHz			0.5	μs

Silicon NPN Power Transistors

2SC4928

PACKAGE OUTLINE

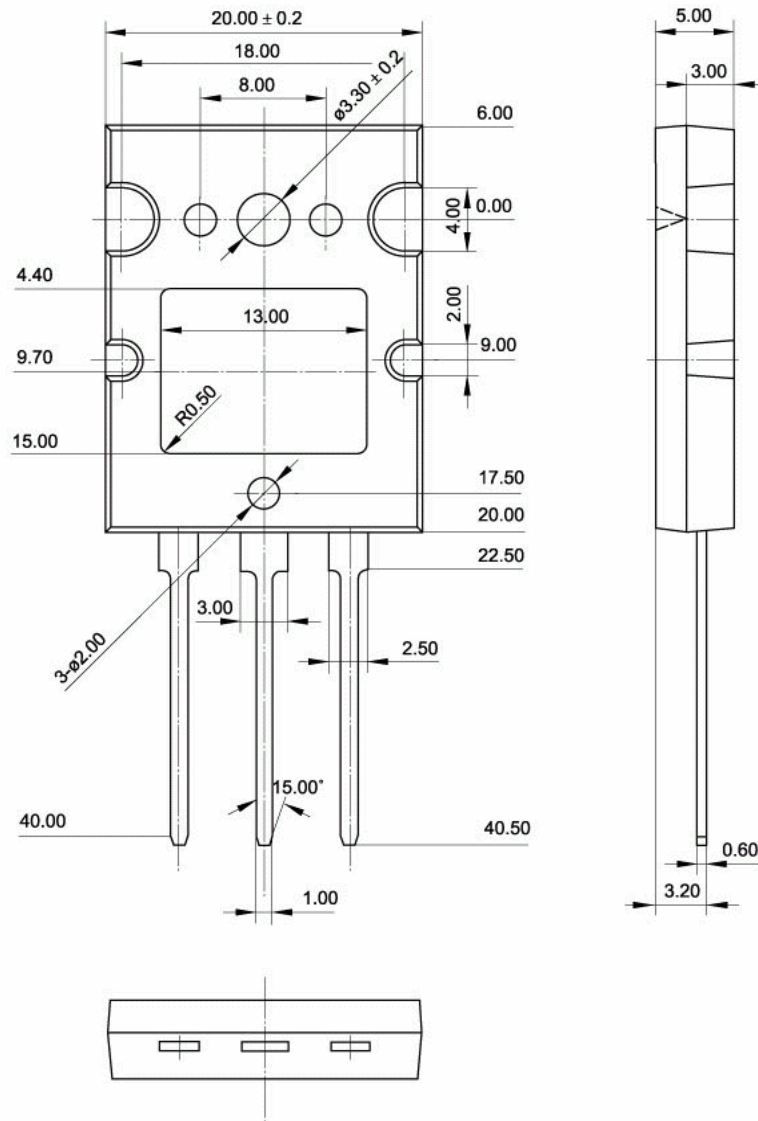


Fig.2 Outline dimensions (unindicated tolerance:  $\pm 0.50$  mm)