

# Accessories

## Torque supports for hollow shaft encoders

### Z 119.050



#### Features

- For low-dynamic applications and constant movements

#### Mounting description

Fix spring coupling onto flange by help of the attached screws. Push encoder onto the drive shaft and mount torque support onto the contact surface.

#### Part number

Z 119.050 Spring coupling

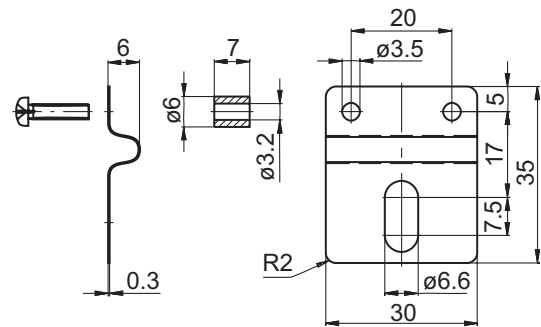
#### Scope of delivery

Included: spring coupling, two screws M3 x 12 with two spacer sleeves

#### Suitable for

G0AMH, G0M2H, G0MMH, G0P5H, GBAMH, GBAMS, GBMMH, GBMMS, GBP5H, GCM2S, GCMMS, GXA2S, GXM2S, GXM7S, GXMMS, GXP5S

#### Dimensions



#### Dimension

