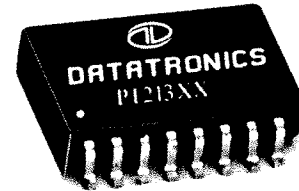


10BASE-T Isolation Modules in PCMCIA package

Features

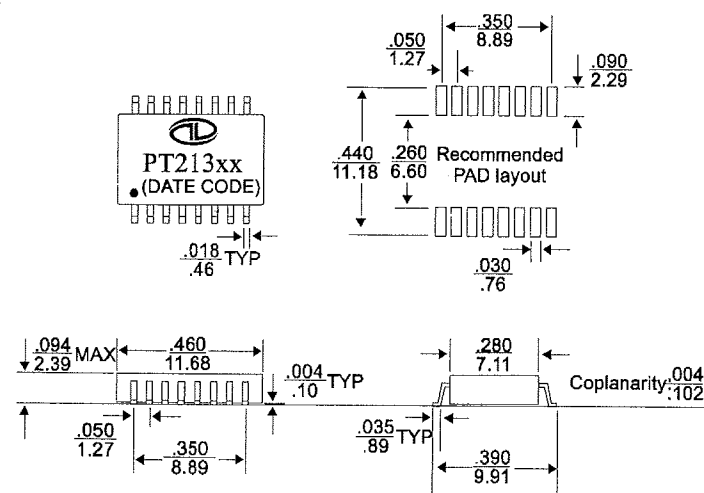
- Standard low profile PCMCIA package
- Ideal for Type I or Type II applications
- Transfer molded SMD package
- Pick and place compatible
- 2000Vrms isolation
- Designed to withstand IR reflow soldering
- Support most 10Base-T transceiver chips



Electrical Specifications @25°C

Part Number	Turns Ratio (±5%)		OCL (μH Min)	Rise Time (ns Max)	Cww Pri:Sec (pF Max)	Leakage Inductance (μH Max)	DCR (Ω Max)	Hipot (Vrms)
	RX	TX						
PT21311	1ct : 1ct	1ct : 1ct	100	3.0	10	0.20	.30	2000
PT21312	1ct : 1ct	1ct : 1ct	150	3.0	10	0.20	.30	2000
PT21313	1ct : 1ct	1ct : 1ct	200	3.5	10	0.20	.18	2000
PT21314	1ct : 1ct	1ct : 1.4ct	140	3.5	10	0.20	.20	2000
PT21315	1ct : 1ct	1ct : 2ct	140	3.5	10	0.20	.20	2000

Mechanical Outline



- Note:
1. All dimensions are specified in inches
mm
 2. Unless otherwise specified, tolerances are ± .010
mm
 3. Dimensions are exclusive of solder

Schematic

