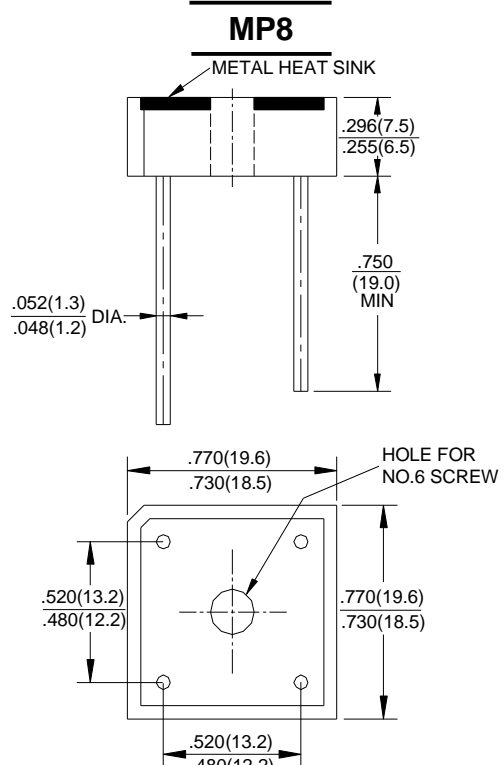


## GLASS PASSIVATED BRIDGE RECTIFIERS

REVERSE VOLTAGE - 50 to 1000Volts  
FORWARD CURRENT - 10.0 Amperes

### FEATURES

- Surge overload rating -200 amperes peak
- Low forward voltage drop
- Small size; simple installation
- Sliver plated copper leads
- Mounting position: Any



Polarity shown on side of case, Positive lead by beveled corner.  
Dimensions in inches and (millimeters)

### MAXIMUM RATINGS AND ELECTRICAL CHARACTERISTICS

Rating at 25°C ambient temperature unless otherwise specified.

Single phase, half wave ,60Hz, resistive or inductive load.

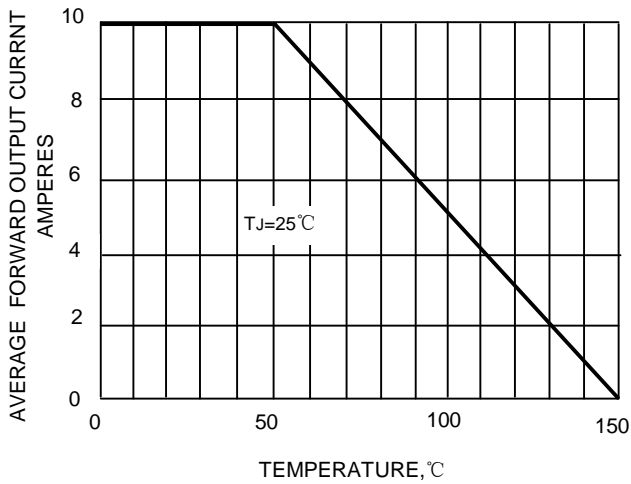
For capacitive load, derate current by 20%

CHARACTERISTICS	SYMBOL	MP 10005G	MP 1001G	MP 1002G	MP 1004G	MP 1006G	MP 1008G	MP 1010G	UNIT
Maximum Recurrent Peak Reverse Voltage	V <sub>RRM</sub>	50	100	200	400	600	800	1000	v
Maximum RMS Bridge Input Voltage	V <sub>RMS</sub>	30	70	140	280	420	560	700	v
Maximum Average Forward Rectified Output Current at T <sub>c</sub> =50°C T <sub>A</sub> =100°C (Note1) T <sub>A</sub> =50°C (Note2)	I <sub>(AV)</sub>	10.0 6.0 6.0							A
Peak Forward Surge Current 8.3ms Single Half Sine-Wave Super Imposed on Rated Load	I <sub>FSM</sub>	200							A
Maximum Forward Voltage Drop Per Bridge Element at 5.0A Peak	V <sub>F</sub>	1.1							V
Maximum Reverse Current at Rated DC Blocking Voltage Per Element T <sub>A</sub> =25°C T <sub>A</sub> =100°C	I <sub>R</sub>	10.0 1.0							uA mA
Operating Temperature Rang	T <sub>J</sub>	-55 to +150							°C
Storage Temperature Rang	T <sub>STG</sub>	-55 to +150							°C

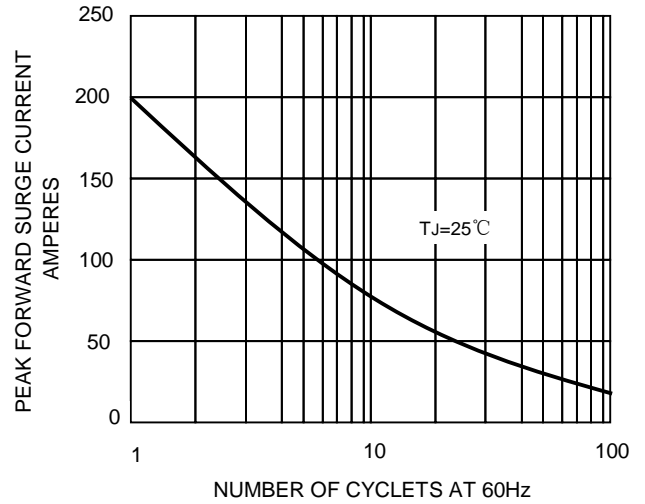
Notes:1.Unit mounted on metal chassis

2. Unit mounted on P.C. board

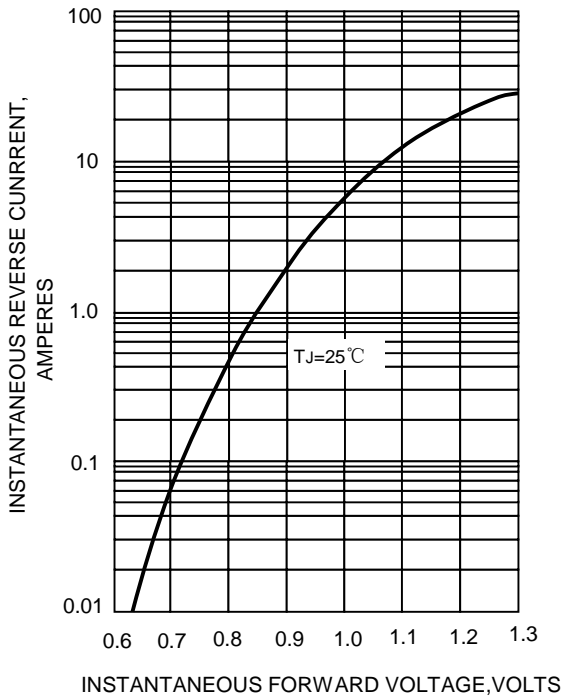
**FIG.1-DERATING CURVE**  
**OUTPUT RECTIFIED CURRENT**



**FIG.2-MAXIMUM FORWARD SURGE CURRENT**



**FIG.3-TYPICAL FORWARD**  
**CHARACTERISTICS**



**FIG.4-TYPICAL REVERSE**  
**CHARACTERISTICS**

