

Technical drawings for IEC-NA-4 connector showing front, side, and PCB layout views with dimensions in inches and millimeters.

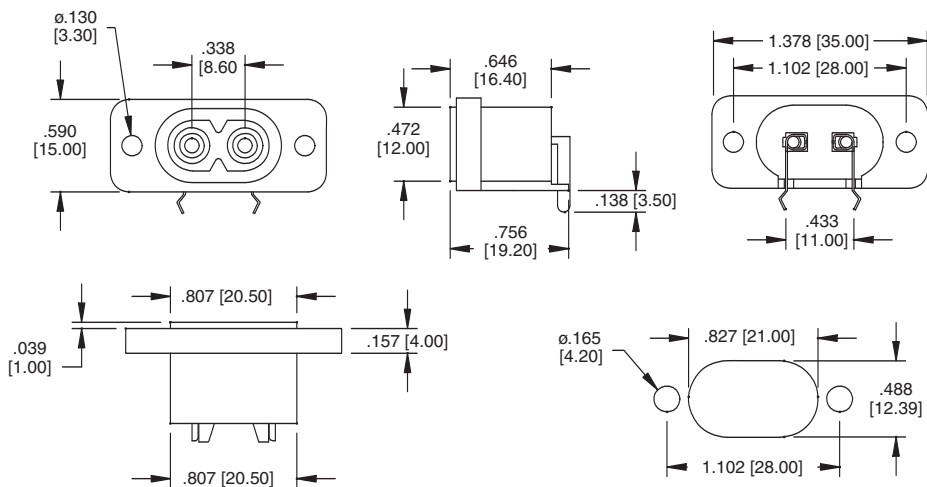
IEC-NA-4
UNIVERSAL PANEL SNAP

Technical drawings for IEC-NB-4 connector showing front, side, and PCB layout views with dimensions in inches and millimeters.

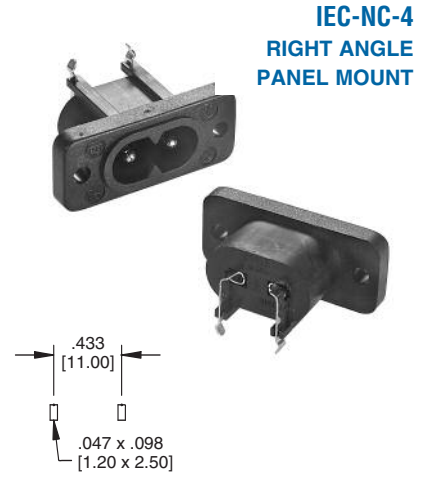
IEC-NB-4
DEDICATED PANEL SNAP

Technical drawings for IEC-NB-A-4 connector showing front, side, and PCB layout views with dimensions in inches and millimeters.

IEC-NB-A-4
SLIDE ON PANEL

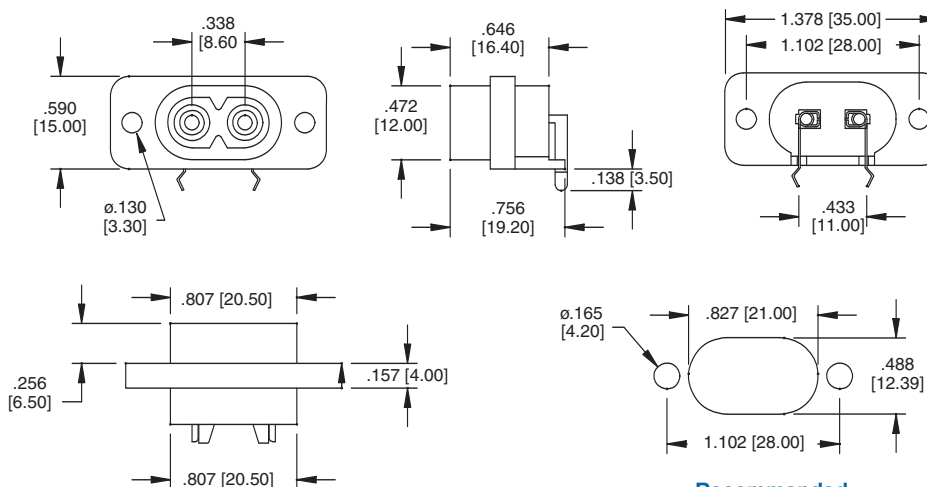


**Recommended
PCB Layout**

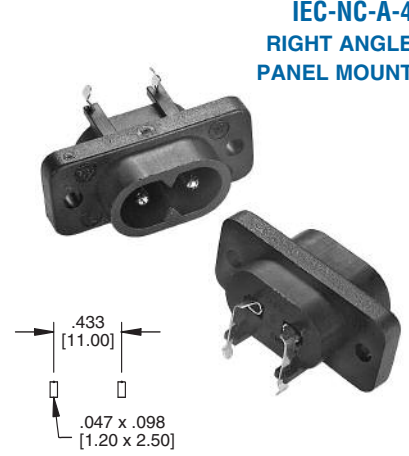


**IEC-NC-4
RIGHT ANGLE
PANEL MOUNT**

**Recommended
Panel Cut-Out**

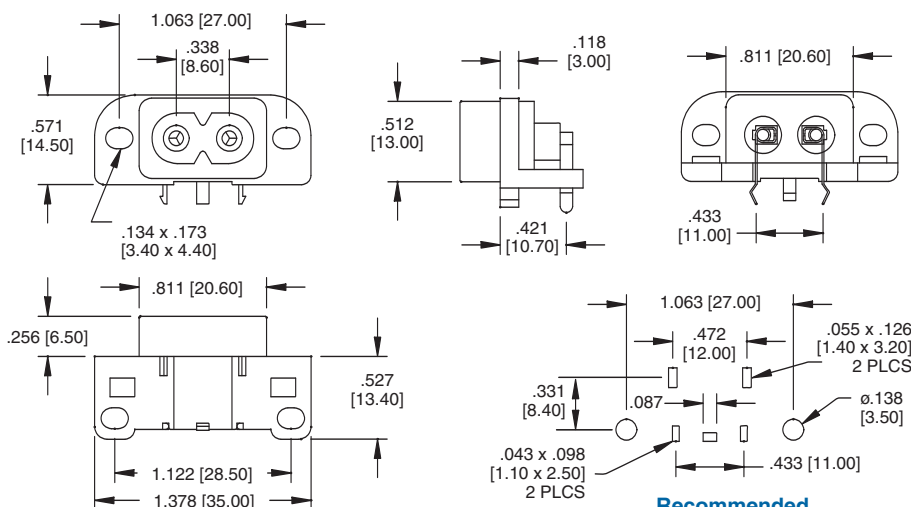


**Recommended
PCB Layout**

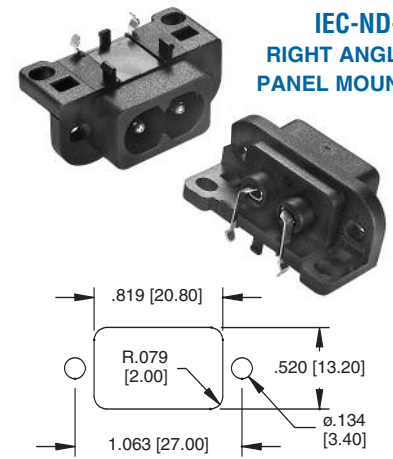


**IEC-NC-A-4
RIGHT ANGLE
PANEL MOUNT**

**Recommended
Panel Cut-Out**



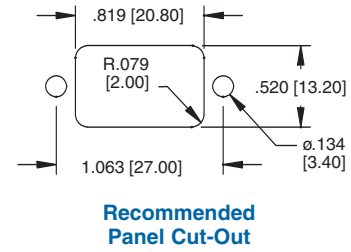
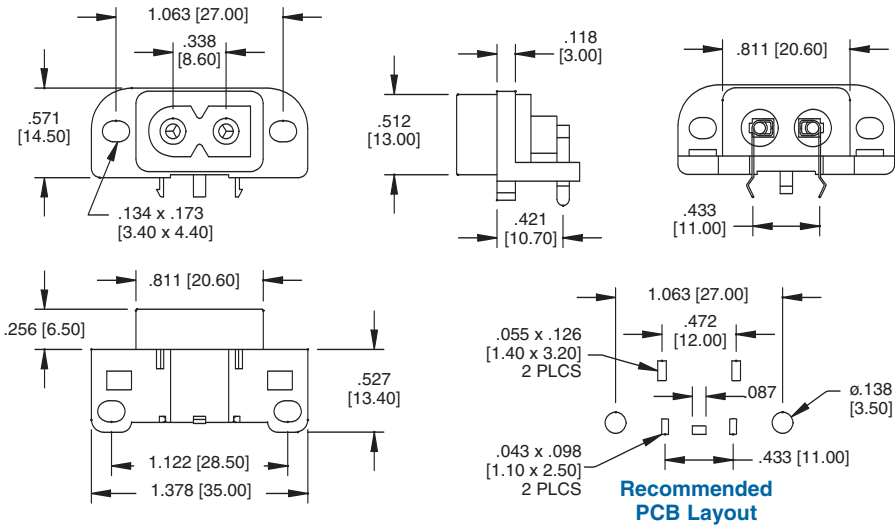
**Recommended
PCB Layout**



**IEC-ND-4
RIGHT ANGLE
PANEL MOUNT**

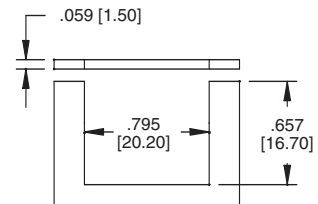
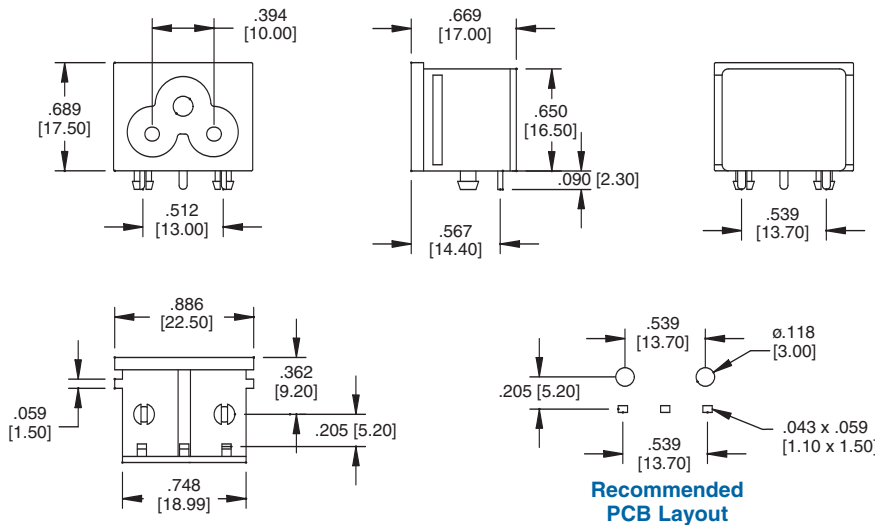
**Recommended
Panel Cut-Out**

IEC-NF-4 RIGHT ANGLE PANEL MOUNT



Recommended Panel Cut-Out

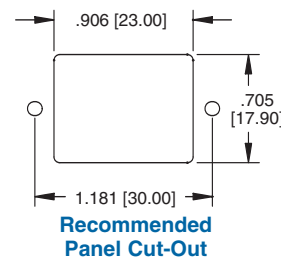
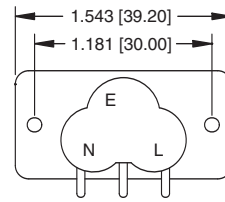
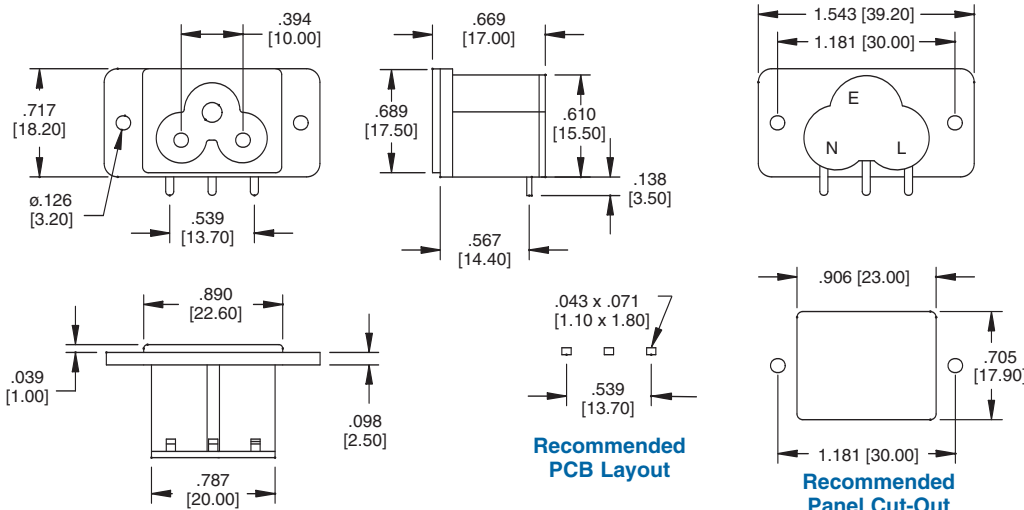
IEC-NH-4 RIGHT ANGLE SLIDE ON PANEL



Recommended Panel Cut-Out

Recommended PCB Layout

IEC-NH-A-4 RIGHT ANGLE SCREW ON PANEL MOUNT



Recommended PCB Layout

Recommended Panel Cut-Out