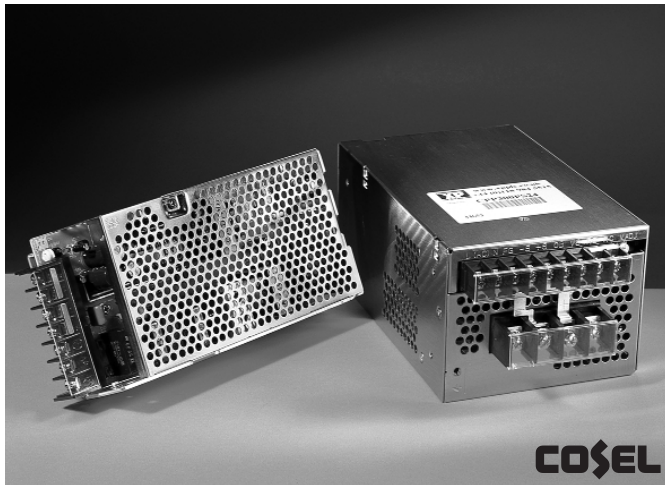


Single Output Enclosed Switchers

15-600 Watts CPP Series

THE XPERTS IN POWER



85-264 VAC Universal Input

•
Single Outputs

•
High Reliability

•
Power Factor Corrected

•
Remote Control Available

•
Parallel Operation Available

•
Din Rail Mounting Accessories Available

Specification

Input

- Input Voltage** • 85-264 VAC
- Power Factor** • 0.95 typical (230 V) up to 0.99 at 100 V (CPP50 & above only) at full load
- Input Frequency** • 47-63 Hz
- Inrush Current** • 40 A max

Output

- Hold Up Time** • 20 ms typical at low line & full load (100 ms typical at 230 V)
- Output Voltage** • See Table
- Remote Control** • Standard on 300 & 600 watt models
Optional on all others add suffix '-R'
- Voltage Adjustment** • $\pm 10\%$ trim min
(-5% to +20% 3 V models)
- Line Regulation** • 0.4% max over input range
- Load Regulation** • 0.8% max for 100% load change
- Ripple & Noise** • 40 mV pk-pk typical (150 mV max)
- Overload Protection** • Operates at >105% of rating & recovers automatically (300 & 600 W constant current)
- Overvoltage Protection** • 115-140% (except 3 V units : 4.00-5.25 V)
- Temperature Coefficient** • 0.02%/°C

General

- LED Indicator** • Indicates output on
- Parallel Operation** • Master/Slave operation available - 300 & 600 watt models - Contact Sales for details
- Efficiency** • Ranges 65% (3 V) to 80% (24 V) output
- Leakage Current** • 0.75 mA max at 60 Hz
- Mounting Options** • See DIN, Wall & Panel Mounting Accessories

Environmental

- Operating Temperature** • -10 °C to +65 °C, derate above 50 °C - Contact Office
- Storage Temperature** • -20 °C to +75 °C
- Relative Humidity** • 20-90% RH
- Vibration** • 20 G, 11 ms once each X, Y & Z axis

EMC & Safety

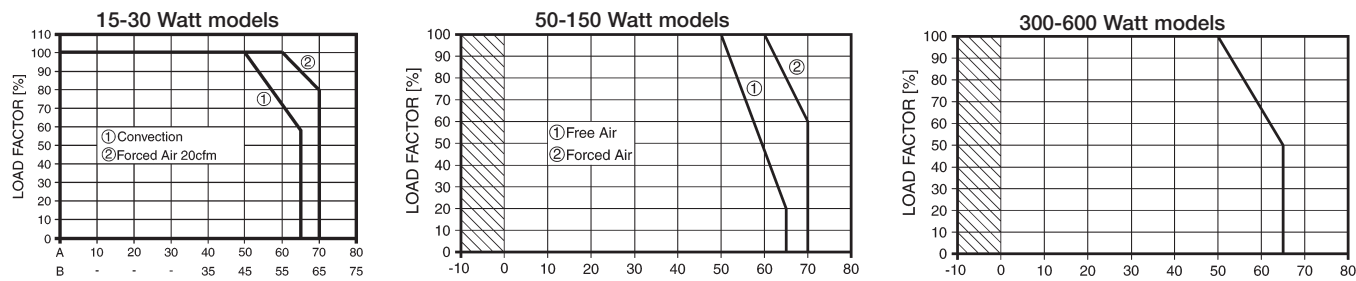
- Safety Approvals** • EN60950, UL1950, CSA22.2 No. 234, VDE 0160
- Immunity** • IEC 1000-3-2
- EMC** • CISPR22 Level B, FCC Level B

OUTPUT VOLTAGE & CURRENT RATINGS							CPP
Voltage	3 Volts	5 Volts	12 Volts	15 Volts	24 Volts	48 Volts	
Power							
15 Watts	-	CPP15US05 5 V @ 3.00 A	CPP15US12 12 V @ 1.30 A	CPP15US15 15 V @ 1.00 A	CPP15US24 24 V @ 0.70 A	CPP15US48 48 V @ 0.35 A	
30 Watts	-	CPP30US05 5 V @ 6.00 A	CPP30US12 12 V @ 2.50 A	CPP30US15 15 V @ 2.00 A	CPP30US24 24 V @ 1.30 A	CPP30US48 48 V @ 0.63 A	
50 Watts	CPP50PS03 3 V @ 10.00 A	CPP50PS05 5 V @ 10.00 A	CPP50PS12 12 V @ 4.30 A	CPP50PS15 15 V @ 3.50 A	CPP50PS24 24 V @ 2.20 A	CPP50PS48 48 V @ 1.10 A	
75 Watts	CPP75PS03 3 V @ 15.00 A	CPP75PS05 5 V @ 15.00 A	CPP75PS12 12 V @ 6.30 A	CPP75PS15 15 V @ 5.00 A	CPP75PS24 24 V @ 3.20 A	CPP75PS48 48 V @ 1.60 A	
100 Watts	CPP100PS03 3 V @ 20.00 A	CPP100PS05 5 V @ 20.00 A	CPP100PS12 12 V @ 8.50 A	CPP100PS15 15 V @ 7.00 A	CPP100PS24 24 V @ 4.50 A	CPP100PS48 48 V @ 2.10 A	
150 Watts	CPP150PS03 3 V @ 30.00 A	CPP150PS05 5 V @ 30.00 A	CPP150PS12 12 V @ 13.00 A	CPP150PS15 15 V @ 10.00 A	CPP150PS24 24 V @ 6.50 A	CPP150PS48 48 V @ 3.30 A	
300 Watts	CPP300PS03 3 V @ 60.00 A	CPP300PS05 5 V @ 60.00 A	CPP300PS12 12 V @ 27.00 A	CPP300PS15 15 V @ 22.00 A	CPP300PS24 24 V @ 14.00 A	CPP300PS48 48 V @ 7.00 A	
600 Watts	CPP600PS03 3 V @ 120.00 A	CPP600PS05 5 V @ 120.00 A	CPP600PS12 12 V @ 53.00 A	CPP600PS15 15 V @ 43.00 A	CPP600PS24 24 V @ 27.00 A	CPP600PS48 48 V @ 13.00 A	

Notes

- 300 & 600 watt models have cover and integral cooling fan as standard.
- 50-150 watt models can have remote control, add suffix '-R' to the model number.
- DIN rail mounting brackets and mounting plates available.

Derating Curves

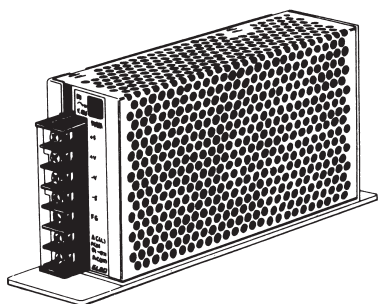


Ambient Temperature(°C) A : Open Frame B : Cover Attached. Derating test has not been conducted by CSA

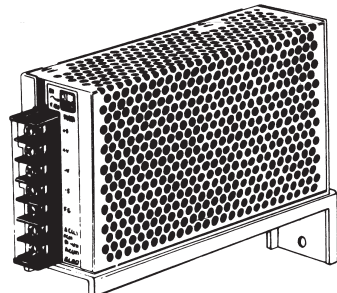
NOTE: Curves are shown for units mounted in the normal mounting orientation with the connector strip vertical. Check with technical sales for derating when mounted in other planes

Mounting Plates & Brackets

Base Plate Fixing for CPP50-150



Wall Fixing for CPP50-150



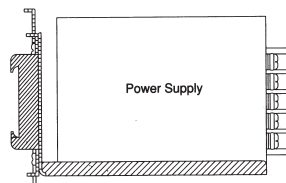
Model	Part No.
CPP50	F-K50-1
CPP100	F-P100-1
CPP150	F-P150-1

Model	Part No.
CPP50	F-K50-2
CPP100	F-P100-2
CPP150	F-P150-2

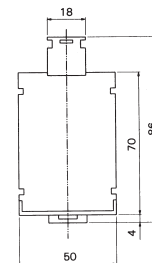
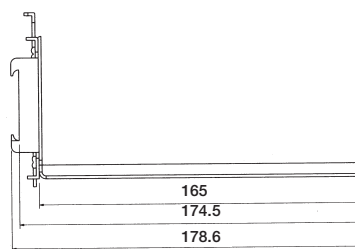
DIN Rail Mounting

Suitable for 35 mm top hat style DIN rails.
DIN Rail Mounting Clips are also available.

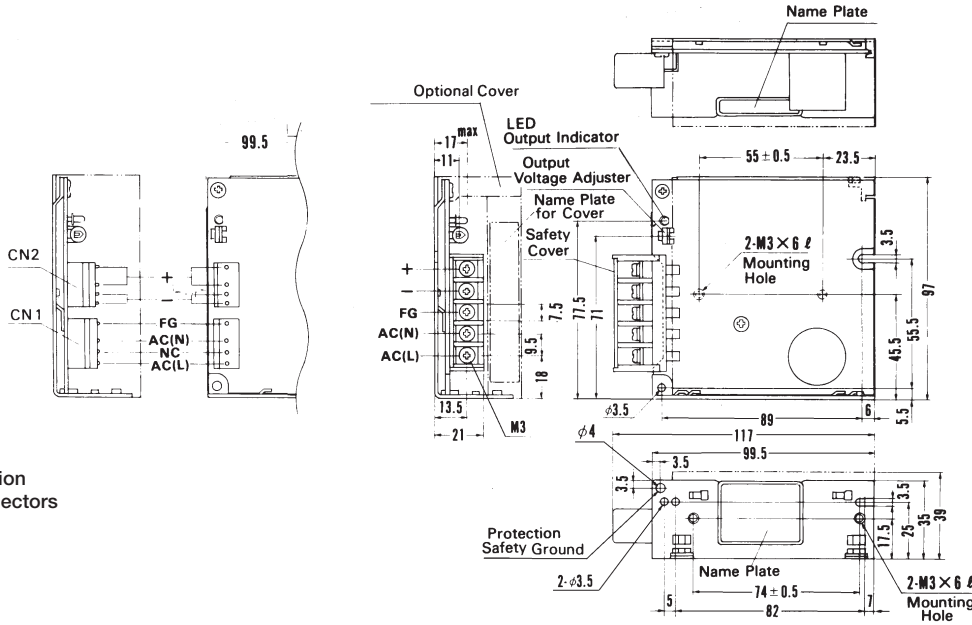
Note: For OEM quantities a low cost clip on version is available - call sales office



Model	Part No.
CPP15	F-DIN-1
CPP30	F-DIN-2
CPP50	F-DIN-2



Mechanical Details - 15 Watt Models



“-J” Option
Molex Connectors

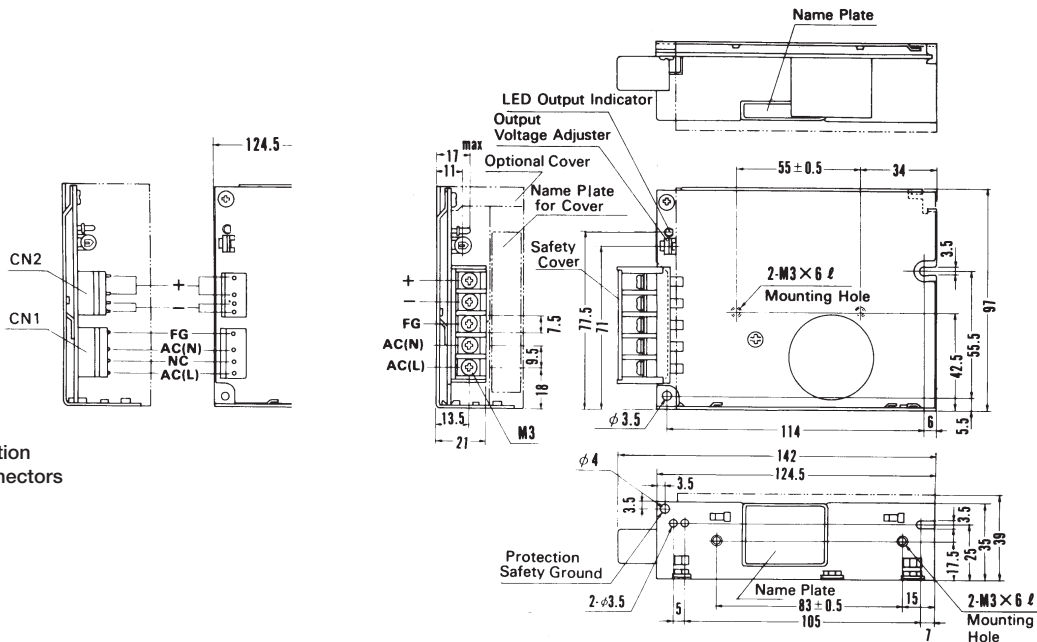
DIN Rail bracket option available, order part no. F-DIN-1.

- * Weight: 0.3 kg.
- * Cover is optional.
- * Tolerance: ± 1 .
- * Dimensions in mm.

Molex Connector

I/O Connector	Mating Connector (Terminal)
CN1	2390V4(5167) 5199-04(5194)
CN2	5265-04(5167) 5196-04(5194)

Mechanical Details - 30 Watt Models



“-J” Option
Molex Connectors

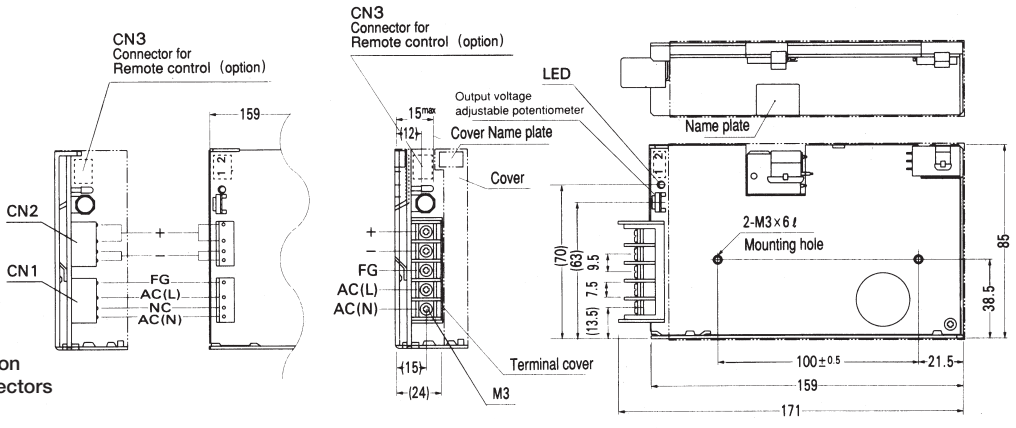
DIN Rail bracket option available, order part no. F-DIN-2.

- * Weight: 0.4 kg.
- * Cover is optional.
- * Tolerance: ± 1 .
- * Dimensions in mm.

Molex Connector

I/O Connector	Mating Connector (Terminal)
CN1	2390V4(5167) 5199-04(5194)
CN2	5265-04(5167) 5196-04(5194)

Mechanical Details - 50 Watt Models



“-J” Option
Molex Connectors

CONNECTOR & TERMINAL BLOCK TYPE
 CN3 option (Mfr:JST).
 Model B2B-XH-A
 Mating Connector (Terminal)
 XHP2
 (BXH-001T-P0.6 or SXH001T-P0.6)

Molex Connector

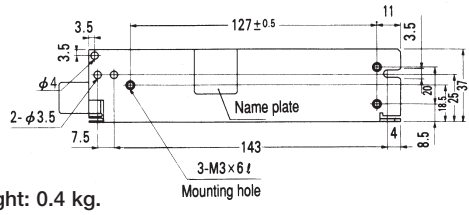
I/O Connector	Mating Connector (Terminal)
CN1 5289-4A	2390V4(5167) 5199-04(5194)
CN2 5277-4A	5265-04(5167) 5196-04(5194)

Pin Assignment

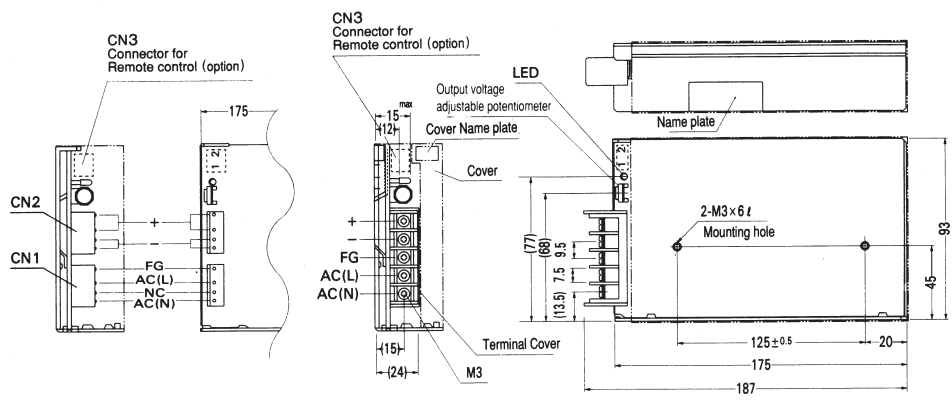
Pin No.	Function
1	RC (-)
2	RC (+)

Weight: 0.4 kg.
 Cover is optional.
 Tolerance: ±1.
 Dimensions in mm.

DIN Rail bracket option available, order part no. F-DIN-2.
 Base plate fixing option available, order part no. F-CPP50-1.
 Wall fixing option available, order part no. F-CPP50-2.



Mechanical Details - 75 Watt Models



“-J” Option
Molex Connectors

CONNECTOR & TERMINAL BLOCK TYPE
 CN3 option (Mfr:JST).
 Model B2B-XH-A
 Mating Connector (Terminal)
 XHP2
 (BXH-001T-P0.6 or SXH001T-P0.6)

Molex Connector

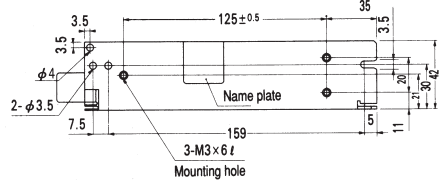
I/O Connector	Mating Connector (Terminal)
CN1 5289-4A	2390V4(5167) 5199-04(5194)
CN2 5277-4A	5265-04(5167) 5196-04(5194)

Pin Assignment

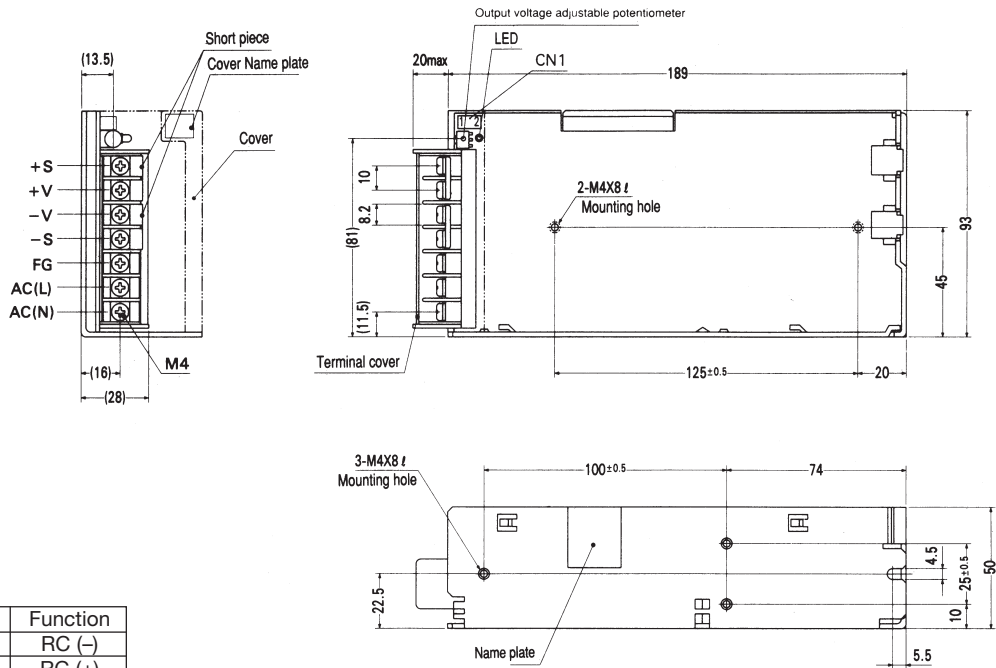
Pin No.	Function
1	RC (-)
2	RC (+)

Weight: 0.5 kg.
 Cover is optional.
 Tolerance: ±1.
 Dimensions in mm.

Base plate fixing option available, order part no. F-CPP75-1.
 Wall fixing option available, order part no. F-CPP75-2.



Mechanical Details - 100 Watt Models



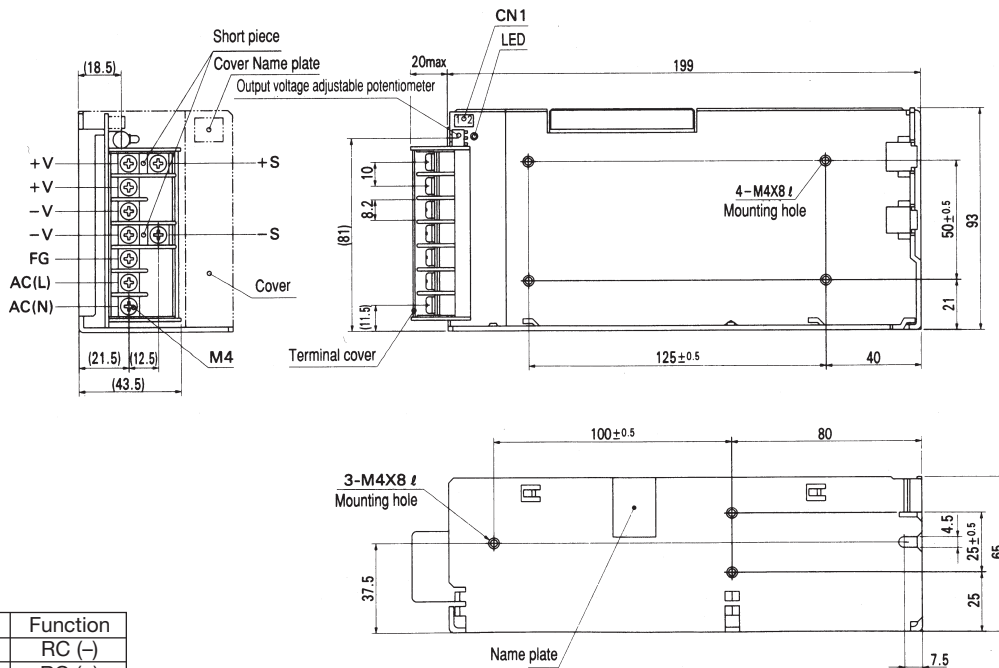
CN1

Pin No.	Function
1	RC (-)
2	RC (+)

CN1 (Connector for remote control)
 Type: B2B-XH-A
 Mating Connector (Terminal)
 Mfr: JST
 XHP-2
 (BXH-001T-P0.6 or SXH-001T-P0.6)

Weight: 0.7 kg.
 Cover is optional.
 Tolerance: ± 1 .
 Dimensions in mm.
 Base plate fixing option available, order part no. F-CPP100-1.
 Wall fixing option available, order part no. F-CPP100-2.

Mechanical Details - 150 Watt Models



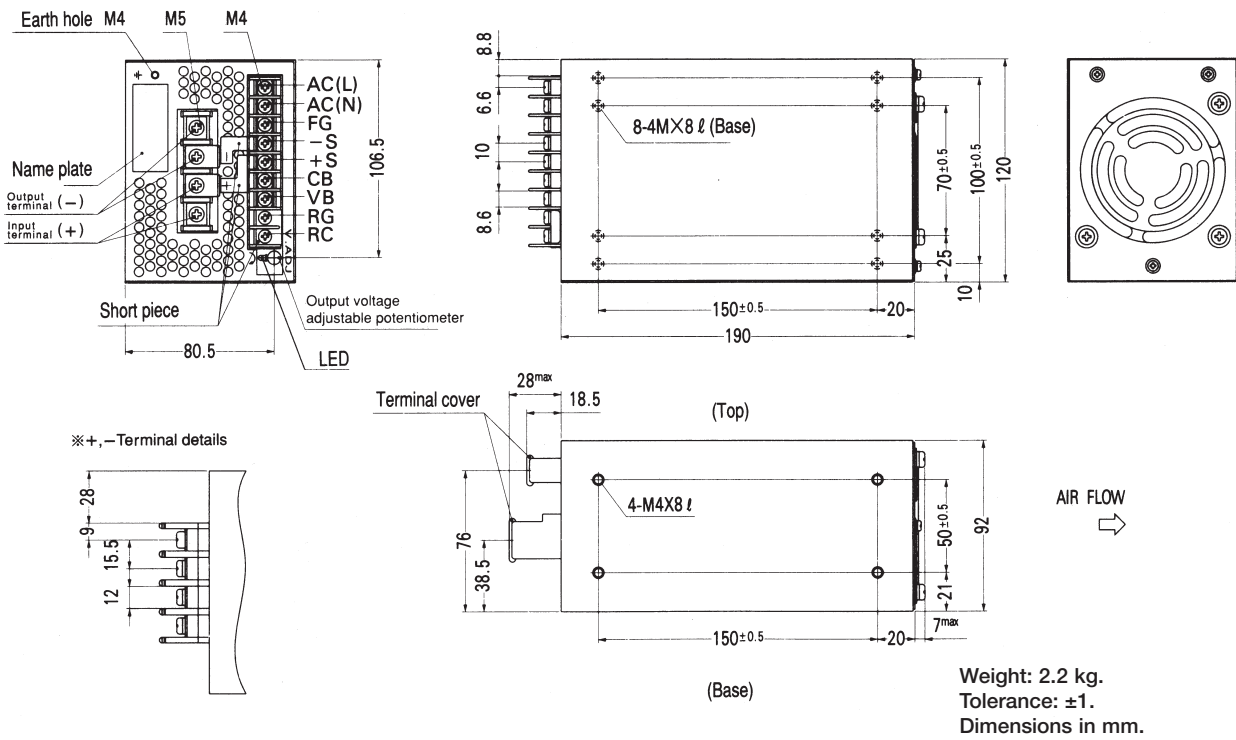
CN1

Pin No.	Function
1	RC (-)
2	RC (+)

CN1 (Connector for remote control)
 Type: B2B-XH-A
 Mating Connector (Terminal)
 Mfr: JST
 XHP-2
 (BXH-001T-P0.6 or SXH-001T-P0.6)

Weight: 0.9 kg.
 Cover is optional.
 Tolerance: ± 1 .
 Dimensions in mm.
 Base plate fixing option available, order part no. F-CPP150-1.
 Wall fixing option available, order part no. F-CPP150-2.

Mechanical Details - 300 Watt Models



Mechanical Details - 600 Watt Models

