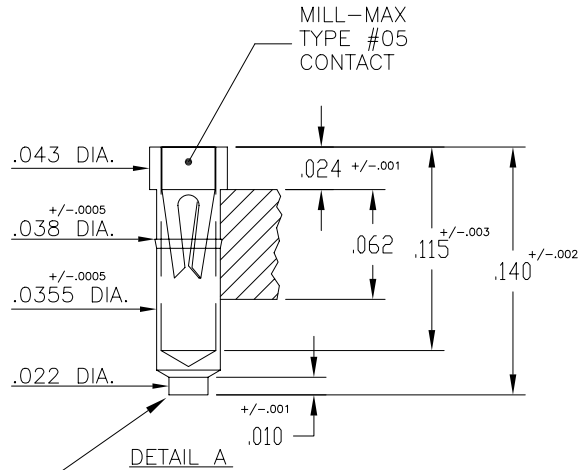


THE DRAWINGS AND INFORMATION CONTAINED HEREIN ARE THE EXCLUSIVE PROPERTY OF ACTEL.
 THE INFORMATION, DRAWINGS AND DESIGN CONCEPTS CONTAINED HEREIN ARE CONFIDENTIAL/PROPRIETARY. SHALL
 BE MAINTAINED IN STRICT CONFIDENCE, AND SHALL NOT BE RELEASED TO ANY THIRD PARTY WITHOUT THE EXPRESS
 WRITTEN PERMISSION OF ACTEL.

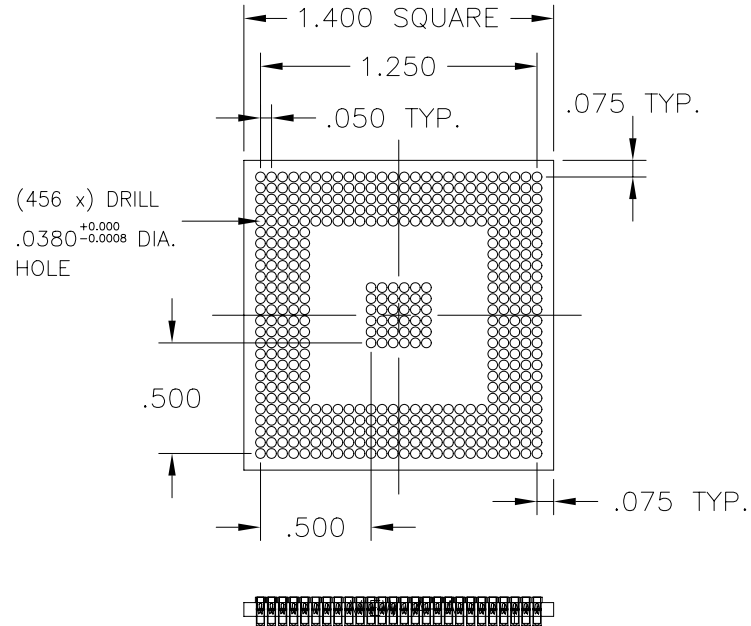
ECN NO.	REV.	DESCRIPTION OF CHANGE	EFFECTIVE DATE	ORIGINATOR
2000206	0	initial	06/21/2000	Lijie Zhao
2005028	1	Remove word "Actel Confidential" from drawing	01/15/2005	Lijie Zhao



8214-0-15-15-05-14-40-0

ORDER AS: S582-11-456-13-005414

EPOXY #: S500-21-456-13-005096



NOTES:

1. SHELL MATERIAL: BRASS ALLOY 360, 1/2 HARD.
2. SHELL FINISH: 10 μ" GOLD OVER 100 μ" NICKEL.
3. CONTACT MATERIAL: BERYLLIUM COPPER ALLOY 172, HEAT TREATED
4. CONTACT FINISH: 10 μ" GOLD OVER 50 μ" NICKEL.
5. INSULATOR MATERIAL: FR-4 GLASS EPOXY

UNLESS OTHERWISE SPECIFIED DIMENSIONS ARE IN MILLIMETERS DECIMAL X.X ±0.10 X.XX ±0.05 X.XXX ±0.03	PROJECTION		ACTEL CORPORATION 2061 Stierlin Court Mountain View, CA 94043-4655		
	APPROVALS		DATE	TITLE BGA456 35x35 Mill-Max Adapter Socket	
MATERIAL SEE NOTES	CHECKED		VENDOR NAME: MILL-MAX MFG. CORP.	ACTEL DWG. NUMBER 1-07-09044	REV 1
FINISH SEE NOTES	ENG'R		SIZE B	VENDOR SID(PART) NUMBER S582-11-456-13-005414	VENDOR DWG. NUMBER DB0519.dwg
DO NOT SCALE DRAWING	RELEASED		Actel Part Number: SM-BG456-B	SCALE: NONE	SHEET 1 OF 1