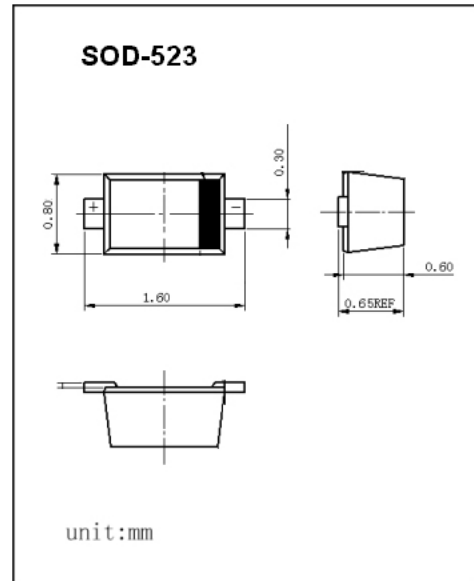


RB520S-30 Schottky barrier Diodes

FEATURES

- Small surface mounting type
- Low reverse current and low forward voltage
- High reliability



Maximum Ratings and Electrical Characteristics, Single Diode @T_A=25°C

Parameter	Symbol	Limits	Unit
DC reverse voltage	V _R	30	V
Mean rectifying current	I _O	200	mA
Peak forward surge current	I _{FSM}	1	A
Junction temperature	T _j	125	°C
Storage temperature	T _{stg}	-45~+125	°C

Electrical Ratings @T_A=25°C

Parameter	Symbol	Min.	Typ.	Max.	Unit	Conditions
Forward voltage	V _F			0.6	V	I _F =200mA
Reverse current	I _R			1.0	μA	V _R =10V

Typical Characteristics

RB520S-30

FIG. 1 - FORWARD CHARACTERISTICS

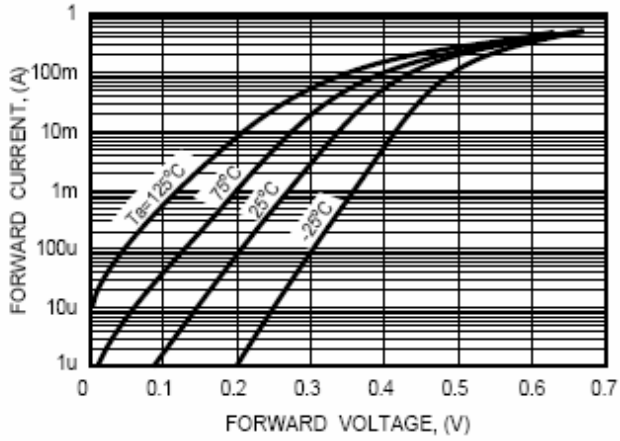


FIG. 2 - REVERSE CHARACTERISTICS

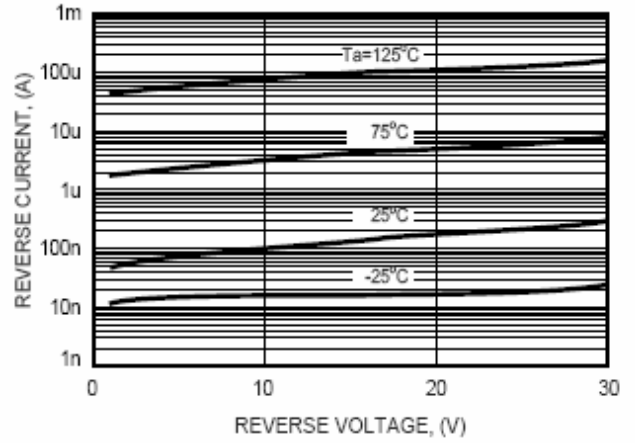


FIG. 3 - TYPICAL JUNCTION CAPACITANCE

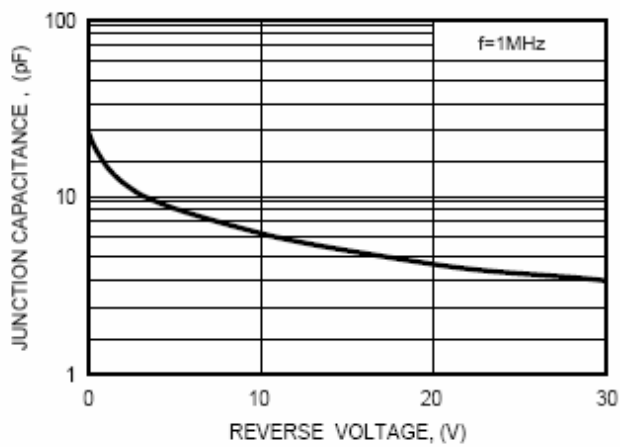


FIG. 4 - TYPICAL FORWARD CURRENT DERATING CURVE

