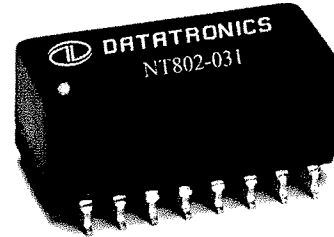


NT802-031 Token Ring Interface Module

Features

- Designed to meet IEEE 802.5 Specification
- Supports either 4Mbps or 16Mbps transmission over STP cable
- Industrial standard SMD package
- Supports Texas Instrument TM38054™ and most other LAN adapter Ring interface semiconductors

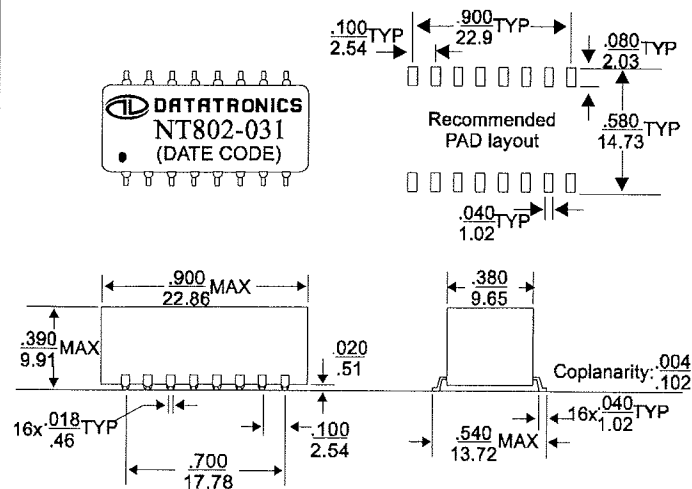


Electrical Specifications @25°C

Insertion loss							
(dB Max)			(dB Min)				
1MHz	4MHz	16MHz	36MHz	40MHz	48MHz	55MHz	80MHz
0.5	0.5	0.8	8.0	12.0	16.0	25.0	30.0

Return loss (dB Min)			Common to Common Mode Rejection (dB Min)				Isolation (Vrms)
1-4MHz	4-8MHz	8-16MHz	1MHz	10MHz	100MHz	200MHz	
18	12	9	45	35	19	17	500

Mechanical Outline



Note: 1. All Dimensions are specified in $\frac{\text{Inches}}{\text{mm}}$
 2. Unless Otherwise specified, all tolerances are ± 0.01
 0.254

Block Diagram

