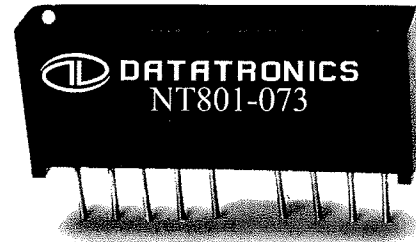


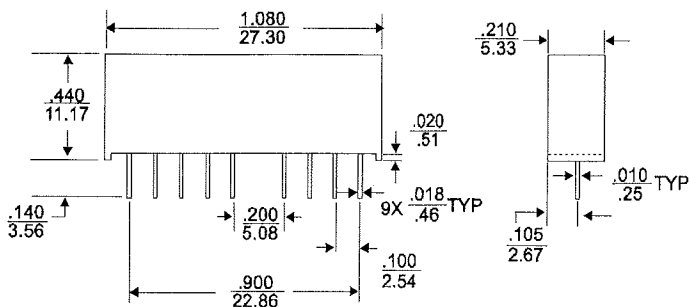
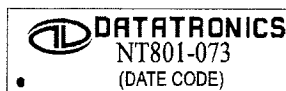
NT801-073
10Base-T Filter Module
Features

- Designed to meet IEEE 802.3 10Base-T Specification
- Designed for 10Base-T adapter, hub and mother board applications
- Low common mode noise and crosstalk
- 2000Vrms isolation
- Extra thin SIL package
- Supports DEC's controller chip 21040 and most other 10Base-T transceiver and controller chips


Electrical Specifications @25°C

Insertion loss (dB Max)		Cut-Off Frequency (MHz)		Attenuation (dB Min)							
1-10MHz		TX	RX	20MHz		25MHz		30MHz		40MHz	
TX	RX			TX	RX	TX	RX	TX	RX	TX	RX
1.0	1.0	17 ± 1	17 ± 1	7	6	20	14	32	20	35	31

Return Loss (w/ 100Ω) (dB Min)		Return Loss (w/ 98±13Ω) (dB Min)		Common Mode Rejection Ratio (dB Min)						Crosstalk (dB Min)	Isolation (Vrms)
5-10MHz		5-10MHz		10MHz		30MHz		100MHz		1-10MHz	TX / RX
TX	RX	TX	RX	TX	RX	TX	RX	TX	RX	TX ⇌ RX	
18	18	15	15	40	40	35	35	30	30	35	2000

Mechanical Outline


Note: 1. All dimensions are specified in $\frac{\text{Inches}}{\text{mm}}$
 2. Unless other specified, all tolerance are $\pm .010$
 $\pm .254$

Schematic
