

SS12/24ADA Signaling Strobes



A Division of Pittway
3825 Ohio Avenue, St. Charles, IL 60174
1-800-SENSOR2 (736-7672), Fax 630-377-6495
<http://www.systemsensor.com>



SS1215ADA
Signaling Strobe



MASS241575ADA
Strobe with
Multi-Alert™ Horn

Features

- 93mA avg. current draw at 24VDC, regulated power supply for SS241575ADA
- Multiple light intensities
 - 24 VDC: 15, 15/75, 75, or 110 cd models
 - 12 VDC: 15 or 15/75 cd
- No measurable in-rush in excess of peak current
- Intended for primary signaling
- Installer Easy strobe features
 - Mounts to single gang box with MP-SF plate
 - Plug-in terminal strip
 - Wire strip gauge and wiring diagram on back
- Available with Multi-Alert™ horn, Sound Choice™ SP101, or V400 Series speaker
- 3 year warranty

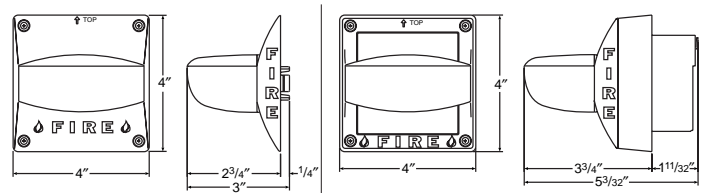
System Sensor SS12/24ADA Series signaling strobes comply with the Americans with Disabilities Act (ADA) and the demanding requirements of the Underwriters Laboratories Standard UL 1971 for the Hearing Impaired. The 15/75 strobe models are UL 1971 listed at 15 cd.

To insure compliance with ADA and UL 1971, use the System Sensor 75 candela models for non-sleeping areas, and the wall-mounted 110 candela models for sleeping areas. Available in red or beige at 12 or 24 VDC, the SS12/24ADA series of signaling strobes can be surface mounted directly to a standard 4" backbox or can be mounted to our semi-flush plate for recessed electrical boxes. They are also available in combination with System Sensor Multi-Alert horns and Sound Choice SP101 or V400 speakers for both visible and audible signaling.

Specifications

Input terminals:	18 – 12 AWG
Shipping Weight:	
SS Series Strobes:	5 oz. (141g)
MASS Series	
Horn/Strobes:	10.4 oz. (293g)
Operating	
Temperature Range:	32° F to 120° F (0° C to 49° C)
Mounting:	
Surface:	4" × 4" × 1½" standard backbox (2⅛" recommended)
Semiflush:	4" × 4" × 1½" standard backbox (2⅛" recommended) with MP-SF semi-flush mounting plate (order separately)

Dimensions:



SS12/24ADA Series

MASS12/24ADA Series



Engineering Specifications

Strobe shall be a System Sensor Model _____ listed to *Standard UL 1971 for the Hearing Impaired* and shall be approved for Fire Protective Service. Strobe shall be wired as a Primary Signaling Notification appliance. Strobe shall also comply with the Americans with Disabilities Act requirements for visible signaling appliances. Strobe shall operate on 12 or 24VDC from a regulated DC supply or full-wave rectified, unfiltered supply. The signaling strobe shall be powered from a non-coded power supply when

powered with the horn or powered independently. Strobe shall have no measurable in-rush current in excess of operating peak current. Visual signaling devices are to be installed in all non-sleeping/corridor and sleeping areas per plans and specifications. The strobe light shall consist of a xenon flash tube and associated lens/reflector system. All strobes shall be capable of mounting to a standard 4" x 4" x 1 1/2" backbox, in either a surface mount or semiflush mount with separate mounting plate.

Sound Output Selection Guide

Multi-Alert Sounder – MA12/24D

Available Sounds	Clips on Tabs (ABC) ¹	Current (mA)			Average*		Sound Output (dBA)		UL (dBA) Ratings	
		DC Regulated/FWR Unfiltered ²			Peak*		12V		24V	
		12V	24V	30V	12V	24V	12V	24V	12V	24V
Slow Whoop	ABC	21/40	38/56	46/72	85	92	93	100	79	85
800 Hz continuous (factory setting)	BC	15/24	28/45	35/55	87	93	94	99	79	85
800–1000 Hz Alternating	AC	17/32	34/46	43/58	85	92	91	98	79	85
2400 Interrupted	AB	19/23	35/56	43/64	89	90	96	98	79	85
2400 Continuous	C	21/31	38/59	46/73	85	94	93	104	79	85
1200 Interrupted	B	13/19	23/33	27/41	85	91	95	101	75	82
Swept Frequency	A	17/24	34/47	43/60	85	92	96	101	79	85
Fast Warble	None	15/27	30/47	38/59	85	92	93	100	79	85

Multi-Alert Sounder – MA12/24EH

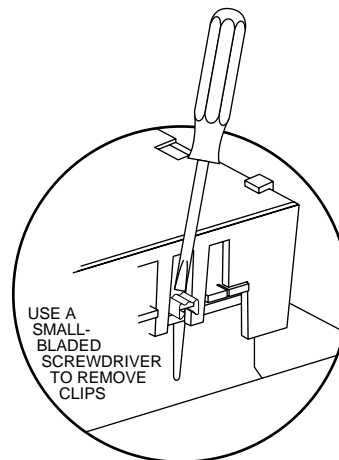
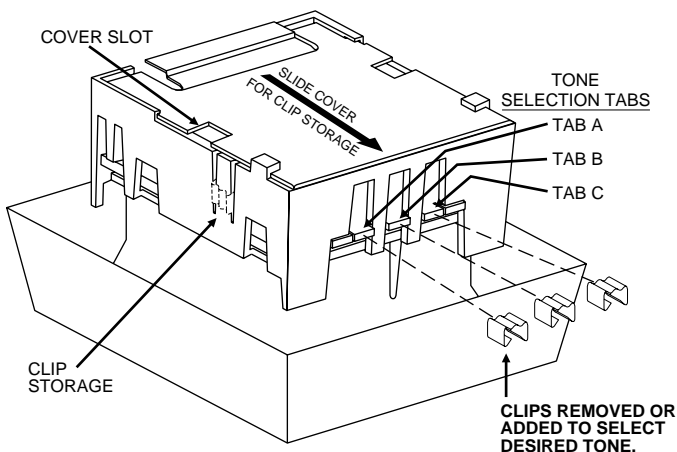
Available Sounds	Clips on Tabs (ABC) ¹	Current (mA)			Average*		Sound Output (dBA)		UL (dBA) Ratings	
		DC Regulated/FWR Unfiltered ²			Peak*		12V		24V	
		12V	24V	30V	12V	24V	12V	24V	12V	24V
Fast Whoop	ABC	21/40	38/56	46/72	85	92	93	100	79	85
800 Hz Continuous	BC	15/24	28/45	35/55	87	93	96	101	79	85
800/1000 Hz Fast Dual	AC	17/32	34/46	43/58	85	92	95	101	79	85
Chirp	AB	19/23	35/56	43/64	89	90	93	104	79	85
2400 Hz Continuous	C	21/31	38/59	46/73	85	94	96	98	79	85
Bell	B	13/19	23/33	27/41	85	91	91	98	75	82
Laser	A	17/24	34/47	43/60	85	92	94	99	79	85
Electro-Mechanical (factory setting)	None	15/27	30/47	38/59	85	92	93	100	79	85

* dBA measured in anechoic room at 10 feet.

1. See Tone Selection diagram below for tab clip removal and storage.

2. All models can be powered using uncoded full wave rectified, unfiltered supplies. Under no circumstances can the MA12/24 or SS12/24 Series device input voltage exceed 33 VDC or be less than 9.6 VDC.

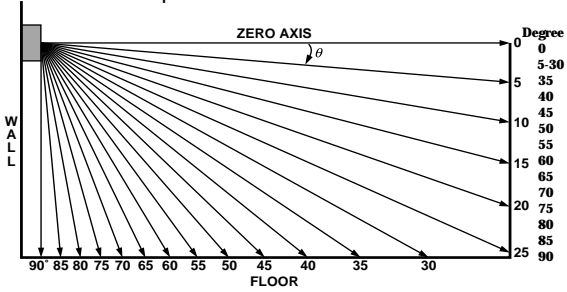
MA Sounder Tone Selection



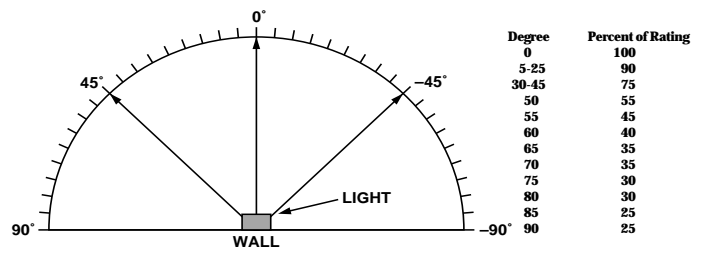
FOR STORING UNUSED CLIPS:
SLIDE COVER BACK TO ALIGN COVER SLOT WITH CLIP STORAGE POST.

Standard Light Distribution

Vertical Dispersion

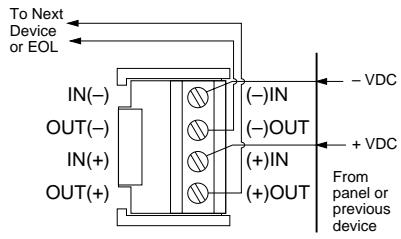


Horizontal Dispersion

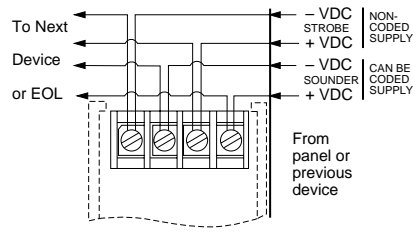


A polar light distribution in both horizontal and vertical directions is mandated for the strobes by the *Standard UL 1971 for the Hearing Impaired*, with specific minimum intensity percentages as shown in the graphs above.

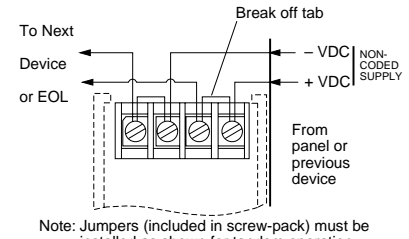
Wiring



Strobe Only



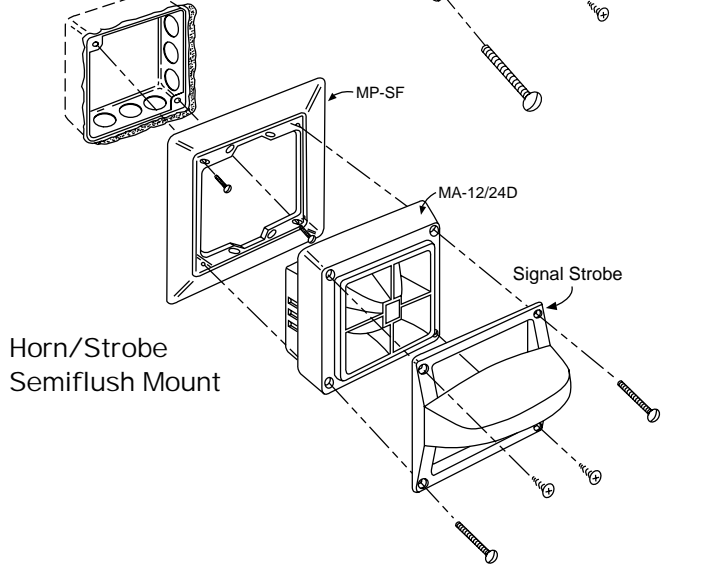
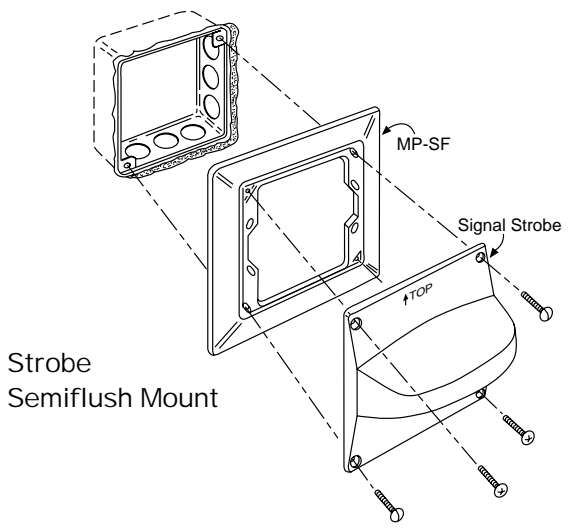
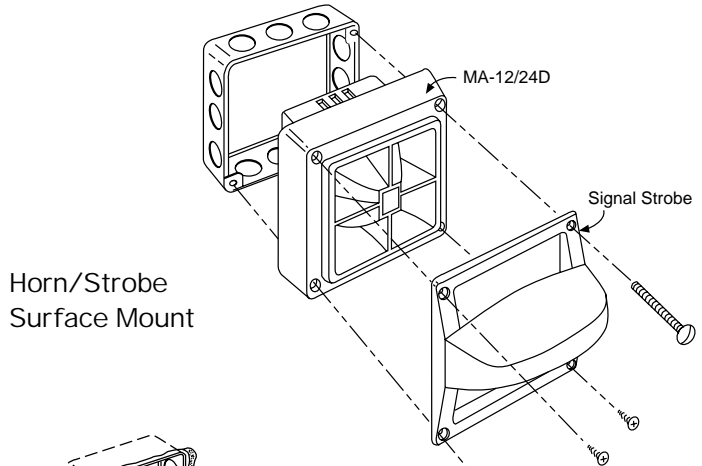
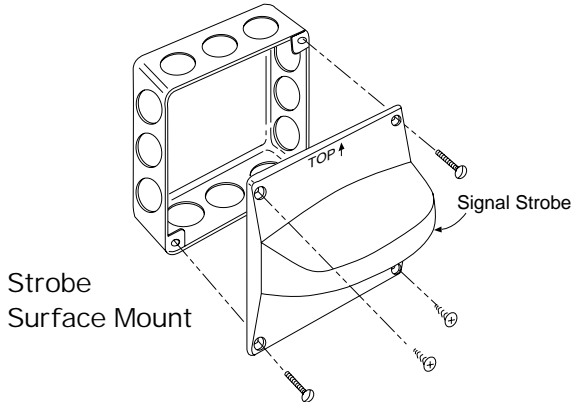
Horn/Strobe Independent



Horn/Strobe Combination

Note: Jumpers (included in screw-pack) must be installed as shown for tandem operation.

Mounting



Electrical Ratings – Strobe Only

Model	Supply Voltage Range	Average Operating Current from Regulated Supply (mA)	In-rush Current in Excess of Peak Operating Current (mA)	Peak Operating Current (mA)	Average Operating Current from Full Wave Rectified, Unfiltered Supply (mAmps)*
SS2415ADA	20-30 VDC	75	0	180	90
SS241575ADA	20-30 VDC	93	0	220	120
SS2475ADA	20-30 VDC	170	0	400	200
SS24110ADA	20-30 VDC	210	0	500	245
SS1215ADA	12-14 VDC	170	0	380	200
SS121575ADA	12-14 VDC	225	0	560	270

* For additional information, see installation manual D900-01-00

Actual 12 volt operating voltage cannot be less than 9.6 VDC or greater than 15.4 VDC; actual 24 volt operating voltage cannot be less than 16 VDC or greater than 33 VDC

Ordering Information

Models – ADA Compliant, UL 1971 Listed

Red	Beige(B)/White(W)	Electromechanical Tone	Product	Operating Voltage	Strobe Current (Average mA)	Candela
Signaling Strobes						
SS2415ADA	SS2415ADAB		Signaling Strobe	24 VDC	75	15
SS241575ADA	SS241575ADAB		Signaling Strobe	24 VDC	93	15/75
SS2475ADA	SS2475ADAB		Signaling Strobe	24 VDC	170	75
SS24110ADA	SS24110ADAB		Signaling Strobe	24 VDC	210	110
SS1215ADA	SS1215ADAB		Signaling Strobe	12 VDC	170	15
SS121575ADA	SS121575ADAB		Signaling Strobe	12 VDC	225	15/75
Multi-Alert Sounder with Signaling Strobe						
MASS2415ADA	MASS2415ADAB	MAEH2415ADA	Sounder with Signaling Strobe	24 VDC	*	15
MASS241575ADA	MASS241575ADAB	MAEH241575ADA	Sounder with Signaling Strobe	24 VDC	*	15/75
MASS2475ADA	MASS2475ADAB	MAEH2475ADA	Sounder with Signaling Strobe	24 VDC	*	75
MASS24110ADA	MASS24110ADAB	MAEH24110ADA	Sounder with Signaling Strobe	24 VDC	*	110
MASS1215ADA	MASS1215ADAB	MAEH1215ADA	Sounder with Signaling Strobe	12 VDC	*	15
MASS121575ADA	MASS121575ADAB	MAEH121575ADA	Sounder with Signaling Strobe	12 VDC	*	15/75
V400 Series Speaker with Signaling Strobe						
V4R2415ADA			Speaker with Signaling Strobe	24 VDC	75	15
V4R241575ADA			Speaker with Signaling Strobe	24 VDC	93	15/75
V4R2475ADA			Speaker with Signaling Strobe	24 VDC	170	75
V4R24110ADA			Speaker with Signaling Strobe	24 VDC	210	110
SP101 Series Speaker with Signaling Strobe						
SP1R2415ADA	SP1W2415ADA		Speaker with Signaling Strobe	24 VDC	75	15
SP1R241575ADA	SP1W241575ADA		Speaker with Signaling Strobe	24 VDC	93	15/75
SP1R2475ADA	SP1W2475ADA		Speaker with Signaling Strobe	24 VDC	170	75
SP1R24110ADA	SP1W24110ADA		Speaker with Signaling Strobe	24 VDC	210	110

*Total current = strobe current + sounder current

Note: All 1575ADA strobe products are recommended for 20' x 20' areas or less.

How to Order

SS1215ADAB

- B=Beige Strobe
- 15 = 15 cd, UL 1971 Strobe
- 1575 = 15 cd, UL 1971, 75 cd on axis
- 75 = 75 cd, UL 1971 Strobe
- 110 = 110 cd, UL 1971 Strobe
- 12 = 12 Volt
- 24 = 24 Volt
- SS = Signal Strobe
- MASS = Multi-Alert Sounder/Strobe
- MAEH = Multi-Alert Sounder/Strobe with Electromechanical Tone
- V4R = 400 Series Speaker, Red
- SP1R = SP101 Series Speaker (Strobe), Red
- SP1W = SP101 Series Speaker (Strobe), White

System Sensor Worldwide Distribution

In Canada:

System Sensor Canada
6581 Kitimat Road, Unit #7
Mississauga, Ontario
Canada L5N 3T5
Telephone: 905-812-0767
Fax: 905-812-0771

In the United Kingdom:

System Sensor Europe, Ltd.
Horsham Gates III, North St.
Horsham, West Sussex
RH13 5PJ, United Kingdom
Telephone: 44-1403-276500
Fax: 44-1403-276501

In India:

System Sensor India
A-204 Maheshwari Nagar
Orkay Mills Lane
Andheri East, Mumbai 400093
Telefax: 91-022-8202564

In the Far East:

System Sensor
Pittway Far East, Ltd.
Suite 706, New T&T Centre
7 Canton Road
Tsimshatsui, Kowloon, Hong Kong
Telephone: 852-2730-9090
Fax: 852-2736-6580