

R2A20113DD/SP

Critical Conduction Mode PFC Control IC

REJ03F0279-0100

Rev.1.00

Oct 10, 2008

Description

The R2A20113 controls a boost converter to provide a active power factor correction.

The R2A20113 adopts critical conduction mode for power factor correction and realizes high efficiency and a low switching noise by zero current switching.

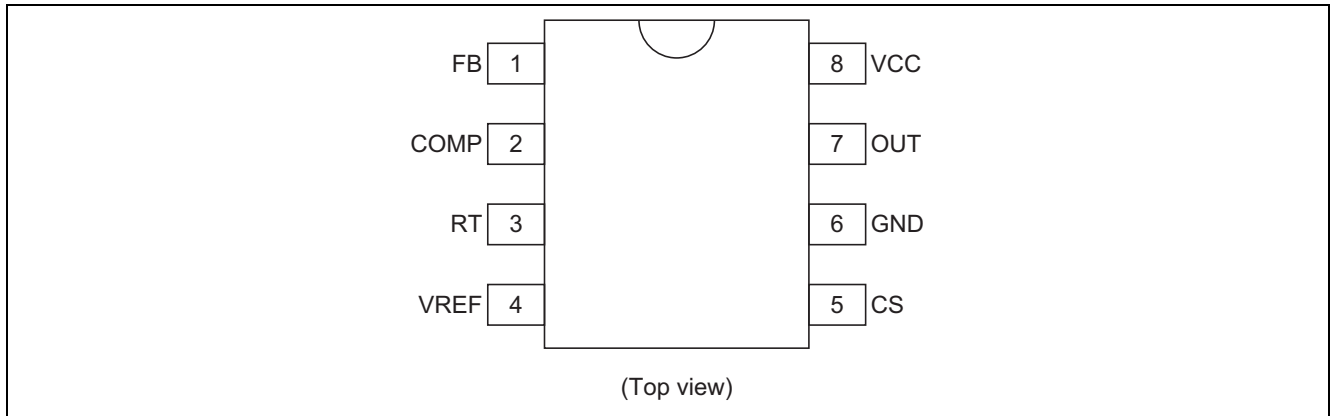
Because the zero current is detected by using the GND current, the ZCD Auxiliary winding is unnecessary.

The feedback loop open detection, two mode overvoltage protection, overcurrent protection are built in the R2A20113, and can constitute a power supply system of high reliability with few external parts.

Features

- Absolute Maximum Ratings
 - Supply voltage V_{cc} : 24 V
 - Operating junction temperature T_{jopr} : -40 to $+150^{\circ}\text{C}$
- Electrical characteristics
 - UVLO operation start voltage V_H : $12\text{ V} \pm 0.8\text{ V}$
 - UVLO operation shutdown voltage V_L : $9.2\text{ V} \pm 0.7\text{ V}$
 - UVLO hysteresis voltage H_{ysuvl} : $2.8\text{ V} \pm 0.7\text{ V}$
- Functions
 - Boost converter control with critical conduction mode
 - Two mode overvoltage protection
 - Mode1: Dynamic OVP corresponding to a voltage rise by load change
 - Mode2: Static OVP corresponding to overvoltage in stable
 - Feedback loop open detection
 - Overcurrent protection
 - Package lineup: Pb-free SOP-8 (JEDEC)/DILP-8

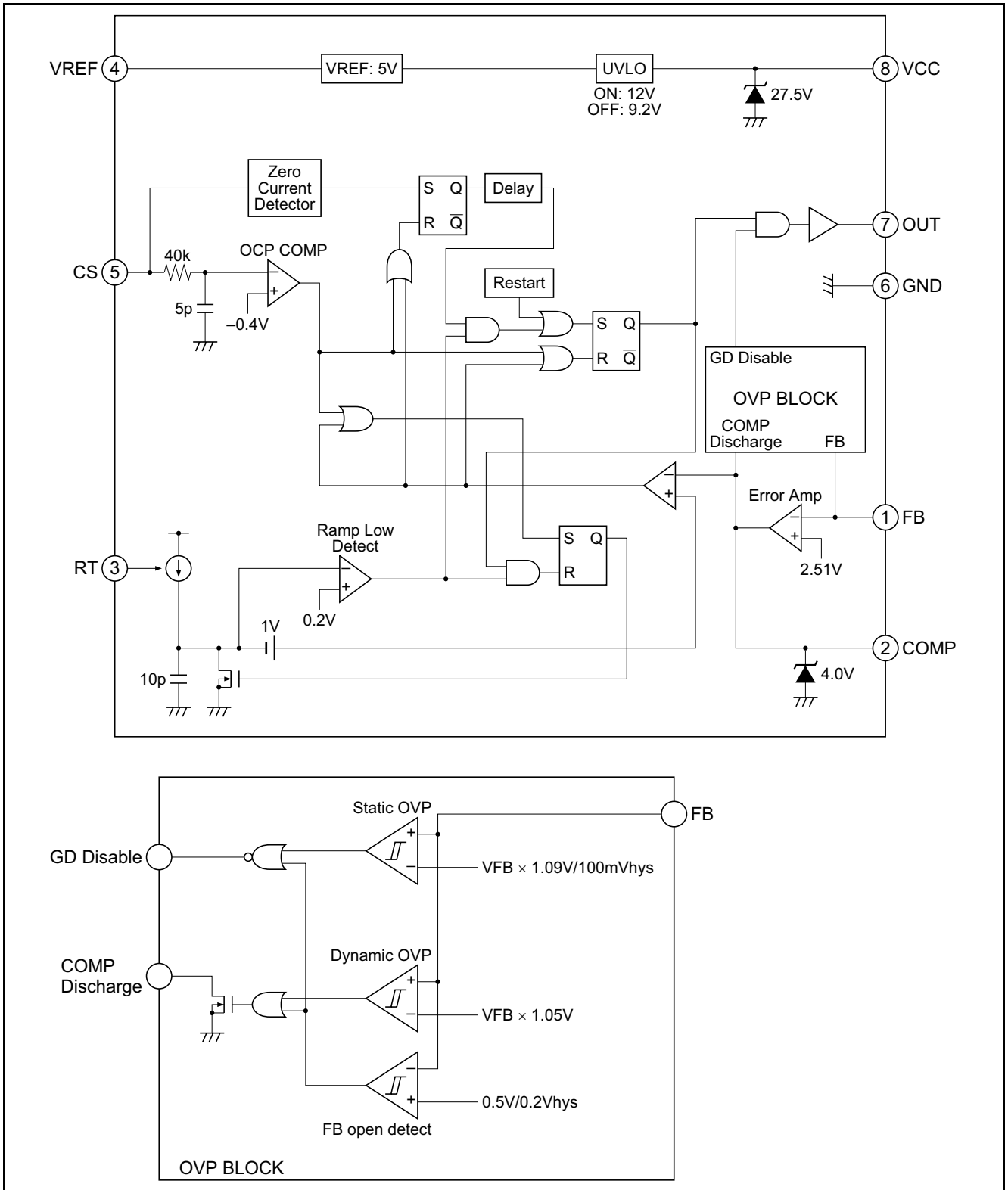
Pin Arrangement



Pin Functions

Pin No.	Pin Name	Input/Output	Function
1	FB	Input	Error amplifier input terminal
2	COMP	Output	Error amplifier output terminal
3	RT	Input/Output	A resistor connection terminal for RAMP current setting
4	VREF	Output	Reference voltage output terminal
5	CS	Input	Zero current detection and overcurrent detection input terminal
6	GND	—	Ground
7	OUT	Output	Power MOSFET drive terminal
8	VCC	Input	Supply voltage terminal

Block Diagram



Absolute Maximum Ratings

(Ta = 25°C)

Item	Symbol	Ratings	Unit	Note
Supply voltage	Vcc	-0.3 to 24	V	
OUT peak current	Ipk-out	±0.9	A	3
OUT DC current	Idc-out	±100	mA	
COMP terminal current	Icomp	±1	mA	
RT terminal current	Irt	-50	μA	
Vref terminal current	Iref	-5	mA	
Vref terminal voltage	Vt-ref	-0.3 to Vref + 0.3	V	
FB terminal voltage	Vt-fb	-0.3 to +5	V	
CS terminal voltage	Vcs	-1.5 to +0.3	V	
Power dissipation	Pt	0.68	W	4
Operating junction temperature	Tj-opr	-40 to +150	°C	
Storage temperature	Tstg	-55 to +150	°C	

- Notes: 1. Rated voltages are with reference to the GND terminal.
 2. For rated currents, inflow to the IC is indicated by (+), and outflow by (-).
 3. Shows the transient current when driving a capacitive load.
 4. In case of R2A20113DD (DILP): $\theta_{ja} = 120^{\circ}\text{C/W}$
 In case of R2A20113SP (SOP): $\theta_{ja} = 120^{\circ}\text{C/W}$
 This value is a thing mounting on $40 \times 40 \times 1.6$ [mm], a glass epoxy board of wiring density 10%.

Electrical Characteristics

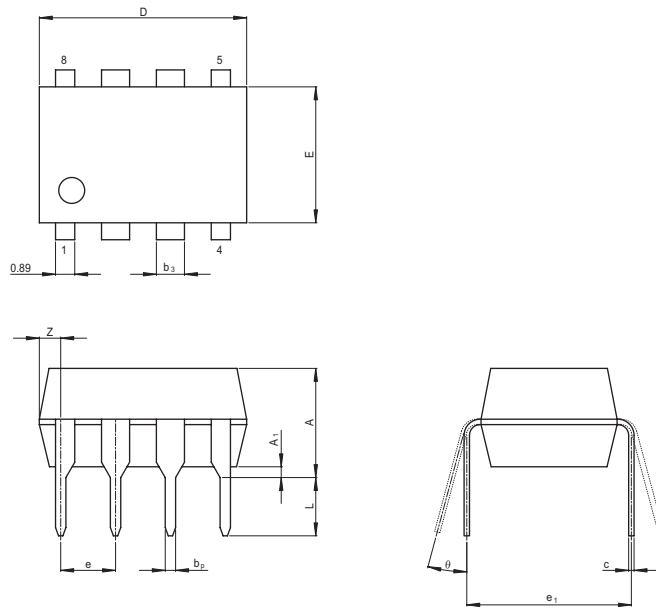
(Ta = 25°C, Vcc = 12 V, CS = GND, FB = COMP, RRT = 200 kΩ)

	Item	Symbol	Min	Typ	Max	Unit	Test Conditions
Supply	UVLO turn-on threshold	Vuvlh	11.2	12	12.8	V	
	UVLO turn-off threshold	Vuvll	8.5	9.2	9.9	V	
	UVLO hysteresis	Hysuvl	2.1	2.8	3.5	V	
	Standby current	Istby	—	95	180	μA	Vcc = Vuvlh – 0.2 V
	Operating current	Icc	—	2.6	4	mA	
VREF	Reference voltage	Vref	4.85	5.00	5.15	V	Isource = 0 mA
	Line regulation	Vref-line	—	5	20	mV	Isource = 0 mA, Vcc = 10 V to 24 V
	Load regulation	Vref-load	—	5	20	mV	Isource = 0 mA to –5 mA
	Temperature stability	dVref	—	±80	—	ppm/°C	Ta = –40 to 125°C *1
Error amplifier	Feedback voltage	Vfb	2.41	2.51	2.61	V	FB-COMP short
	Input bias current	Ifb	0.1	0.25	0.75	μA	Measured pin: FB
	Open loop gain	Av	—	55	—	dB	*1
	Upper clamp voltage	Vclamp-comp	3.75	4.0	4.25	V	FB = 2.0 V, COMP: Open
	Low voltage	Vl-comp	—	0.1	0.3	V	FB = 3.0 V, COMP: Open
	Source current	Isrc-comp	–185	–120	–40	μA	FB = 1 V, COMP = 2.5 V
	Sink current 1	Isnkcomp1	—	120	—	μA	*1
	Sink current 2	Isnkcomp2	180	300	450	μA	FB = 3.5 V, COMP = 2.5 V
RT	Transconductance	gm	90	150	220	μS	FB = 2.5 V, COMP = 2.5 V
	RAMP offset voltage	Voff-ramp	—	1.0	—	V	*1
Zero current detector	RT voltage	V-rt	1.8	2.0	2.2	V	RT = 200 kΩ
	ZCD threshold voltage	Vzcd	–8	–2	0	mV	
Restart	Input bias current	Ics	–80	–47	–20	μA	Vcs = 0 V
	Restart time delay	Tstart	65	130	280	μs	FB = 2.0 V, COMP = 2.5 V
OUT	Rise time	tr-out	—	30	100	ns	CL = 1000 pF, FB = 2.0 V, COMP = 2.5 V
	Fall time	tf-out	—	30	100	ns	CL = 1000 pF, FB = 2.0 V, COMP = 2.5 V
	OUT low voltage	Vol1-out	—	0.08	0.2	V	Isink = 20 mA
		Vol2-out	—	0.05	0.7	V	Isink = 10 mA, Vcc = 5 V
OUT high voltage	Voh-out	11.5	11.9	—	V	Isource = –20 mA *1	
Over current protection	OCP threshold voltage	Vocp	–0.44	–0.4	–0.36	V	
Over voltage protection	Dynamic OVP threshold voltage	Vdovp	VFB× 1.035	VFB× 1.050	VFB× 1.065	V	
	Static OVP threshold voltage	Vsovp	VFB× 1.075	VFB× 1.090	VFB× 1.105	V	COMP = Open
	Static OVP hysteresis	Hys-sovp	50	100	150	mV	COMP = Open
	FB open detect threshold voltage	Vfbopen	0.45	0.50	0.55	V	COMP = Open
	FB open detect hysteresis	Hysfbopen	0.16	0.20	0.24	V	COMP = Open

Note: 1. Design spec.

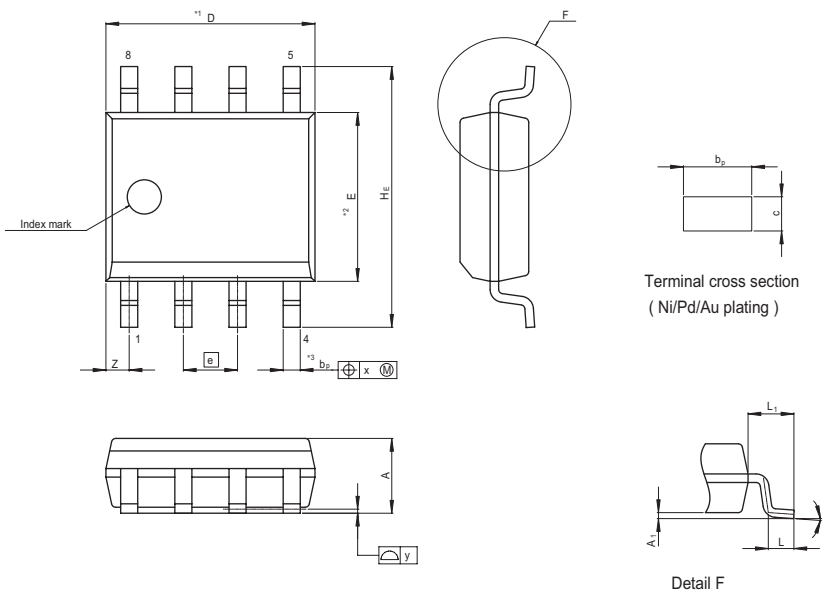
Package Dimensions

JEITA Package Code	RENESAS Code	Previous Code	MASS[Typ.]
P-DIP8-6.3x9.6-2.54	PRDP0008AF-A	DP-8B	0.51g



Reference Symbol	Dimension in Millimeters		
	Min	Nom	Max
e ₁	—	7.62	—
D	—	9.6	10.6
E	—	6.3	7.4
A	—	—	5.06
A ₁	0.5	—	—
b _p	0.38	0.48	0.58
b ₃	—	1.3	—
c	0.20	0.25	0.35
θ	0°	—	15°
e	2.29	2.54	2.79
Z	—	—	1.27
L	2.54	—	—

JEITA Package Code	RENESAS Code	Previous Code	MASS[Typ.]
P-SOP8-3.95x4.9-1.27	PRSP0008DD-C	FP-8DCV	0.085g



NOTE)
 1. DIMENSIONS**1 (Nom)**AND**2*
 DO NOT INCLUDE MOLD FLASH.
 2. DIMENSION**3*DOES NOT
 INCLUDE TRIM OFFSET.

Reference Symbol	Dimension in Millimeters		
	Min	Nom	Max
D	—	4.90	5.30
E	—	3.95	—
A ₂	—	—	—
A ₁	0.10	0.14	0.25
A	—	—	1.75
b _p	0.34	0.40	0.46
b ₁	—	—	—
c	0.15	0.20	0.25
c ₁	—	—	—
θ	0°	—	8°
H _E	5.80	6.10	6.20
⌀	—	1.27	—
x	—	—	0.25
y	—	—	0.10
Z	—	—	0.75
L	0.40	0.60	1.27
L ₁	—	1.08	—

Notes:

1. This document is provided for reference purposes only so that Renesas customers may select the appropriate Renesas products for their use. Renesas neither makes warranties or representations with respect to the accuracy or completeness of the information contained in this document nor grants any license to any intellectual property rights or any other rights of Renesas or any third party with respect to the information in this document.
2. Renesas shall have no liability for damages or infringement of any intellectual property or other rights arising out of the use of any information in this document, including, but not limited to, product data, diagrams, charts, programs, algorithms, and application circuit examples.
3. You should not use the products or the technology described in this document for the purpose of military applications such as the development of weapons of mass destruction or for the purpose of any other military use. When exporting the products or technology described herein, you should follow the applicable export control laws and regulations, and procedures required by such laws and regulations.
4. All information included in this document such as product data, diagrams, charts, programs, algorithms, and application circuit examples, is current as of the date this document is issued. Such information, however, is subject to change without any prior notice. Before purchasing or using any Renesas products listed in this document, please confirm the latest product information with a Renesas sales office. Also, please pay regular and careful attention to additional and different information to be disclosed by Renesas such as that disclosed through our website. (<http://www.renesas.com>)
5. Renesas has used reasonable care in compiling the information included in this document, but Renesas assumes no liability whatsoever for any damages incurred as a result of errors or omissions in the information included in this document.
6. When using or otherwise relying on the information in this document, you should evaluate the information in light of the total system before deciding about the applicability of such information to the intended application. Renesas makes no representations, warranties or guarantees regarding the suitability of its products for any particular application and specifically disclaims any liability arising out of the application and use of the information in this document or Renesas products.
7. With the exception of products specified by Renesas as suitable for automobile applications, Renesas products are not designed, manufactured or tested for applications or otherwise in systems the failure or malfunction of which may cause a direct threat to human life or create a risk of human injury or which require especially high quality and reliability such as safety systems, or equipment or systems for transportation and traffic, healthcare, combustion control, aerospace and aeronautics, nuclear power, or undersea communication transmission. If you are considering the use of our products for such purposes, please contact a Renesas sales office beforehand. Renesas shall have no liability for damages arising out of the uses set forth above.
8. Notwithstanding the preceding paragraph, you should not use Renesas products for the purposes listed below:
 - (1) artificial life support devices or systems
 - (2) surgical implantations
 - (3) healthcare intervention (e.g., excision, administration of medication, etc.)
 - (4) any other purposes that pose a direct threat to human lifeRenesas shall have no liability for damages arising out of the uses set forth in the above and purchasers who elect to use Renesas products in any of the foregoing applications shall indemnify and hold harmless Renesas Technology Corp., its affiliated companies and their officers, directors, and employees against any and all damages arising out of such applications.
9. You should use the products described herein within the range specified by Renesas, especially with respect to the maximum rating, operating supply voltage range, movement power voltage range, heat radiation characteristics, installation and other product characteristics. Renesas shall have no liability for malfunctions or damages arising out of the use of Renesas products beyond such specified ranges.
10. Although Renesas endeavors to improve the quality and reliability of its products, IC products have specific characteristics such as the occurrence of failure at a certain rate and malfunctions under certain use conditions. Please be sure to implement safety measures to guard against the possibility of physical injury, and injury or damage caused by fire in the event of the failure of a Renesas product, such as safety design for hardware and software including but not limited to redundancy, fire control and malfunction prevention, appropriate treatment for aging degradation or any other applicable measures. Among others, since the evaluation of microcomputer software alone is very difficult, please evaluate the safety of the final products or system manufactured by you.
11. In case Renesas products listed in this document are detached from the products to which the Renesas products are attached or affixed, the risk of accident such as swallowing by infants and small children is very high. You should implement safety measures so that Renesas products may not be easily detached from your products. Renesas shall have no liability for damages arising out of such detachment.
12. This document may not be reproduced or duplicated, in any form, in whole or in part, without prior written approval from Renesas.
13. Please contact a Renesas sales office if you have any questions regarding the information contained in this document, Renesas semiconductor products, or if you have any other inquiries.



RENESAS SALES OFFICES

<http://www.renesas.com>

Refer to "<http://www.renesas.com/en/network>" for the latest and detailed information.

Renesas Technology America, Inc.
450 Holger Way, San Jose, CA 95134-1368, U.S.A
Tel: <1> (408) 382-7500, Fax: <1> (408) 382-7501

Renesas Technology Europe Limited
Dukes Meadow, Millboard Road, Bourne End, Buckinghamshire, SL8 5FH, U.K.
Tel: <44> (1628) 585-100, Fax: <44> (1628) 585-900

Renesas Technology (Shanghai) Co., Ltd.
Unit 204, 205, AZIACenter, No.1233 Lujiazui Ring Rd, Pudong District, Shanghai, China 200120
Tel: <86> (21) 5877-1818, Fax: <86> (21) 6887-7858/7898

Renesas Technology Hong Kong Ltd.
7th Floor, North Tower, World Finance Centre, Harbour City, Canton Road, Tsimshatsui, Kowloon, Hong Kong
Tel: <852> 2265-6688, Fax: <852> 2377-3473

Renesas Technology Taiwan Co., Ltd.
10th Floor, No.99, Fushing North Road, Taipei, Taiwan
Tel: <886> (2) 2715-2888, Fax: <886> (2) 3518-3399

Renesas Technology Singapore Pte. Ltd.
1 Harbour Front Avenue, #06-10, Keppel Bay Tower, Singapore 098632
Tel: <65> 6213-0200, Fax: <65> 6278-8001

Renesas Technology Korea Co., Ltd.
Kukje Center Bldg. 18th Fl., 191, 2-ka, Hangang-ro, Yongsan-ku, Seoul 140-702, Korea
Tel: <82> (2) 796-3115, Fax: <82> (2) 796-2145

Renesas Technology Malaysia Sdn. Bhd
Unit 906, Block B, Menara Amcorp, Amcorp Trade Centre, No.18, Jln Persiaran Barat, 46050 Petaling Jaya, Selangor Darul Ehsan, Malaysia
Tel: <603> 7955-9390, Fax: <603> 7955-9510