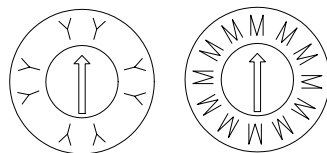


NOTES :

1. MATERIAL - PP8.
2. ALL DIMENSIONS ARE IN MILLIMETERS.
3. TOLERANCES - X.X=±0.25  
- X.XX=±0.13  
UNLESS OTHERWISE SPECIFIED.
4. ESD - SURFACE RESISTIVITY  
- 10<sup>5</sup> TO 10<sup>11</sup> OHMS/SQ.
5. FOR PACKAGE - PBGA
6. PART NO. : NH BG1919 2.0 0614 8  
(PLEASE INDICATE ON PURCHASE ORDER).




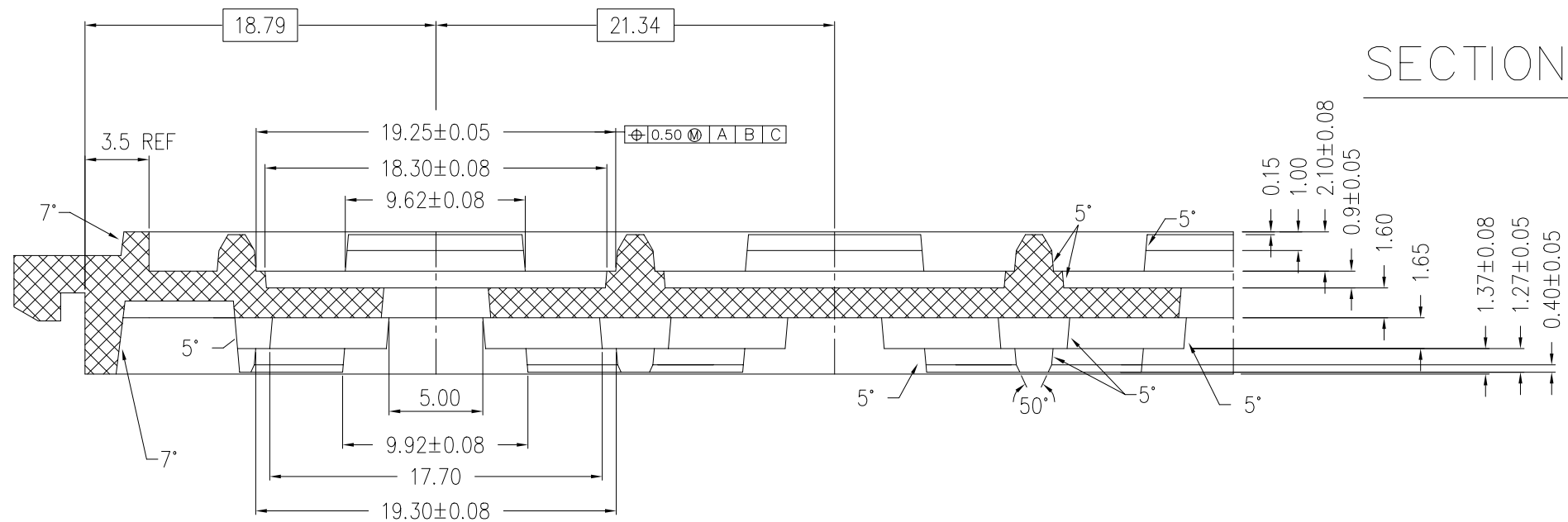
BOTTOM DATECODE

0		RELEASED FOR PRODUCTION	9 MAR 99
REV.NO.	ECN #	DESCRIPTION	DATE

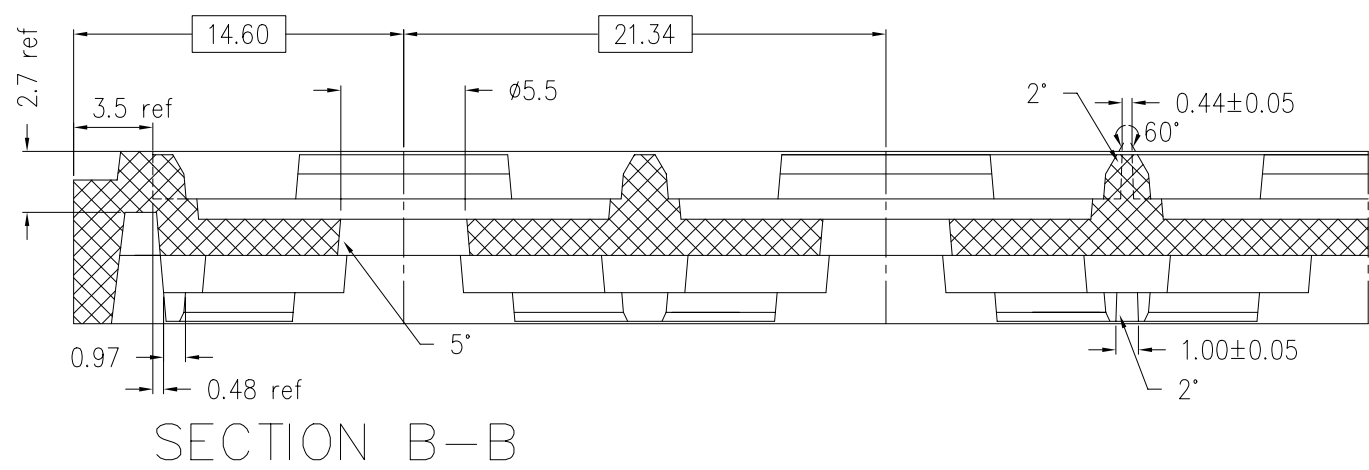
THIS DOCUMENT CONTAINS INFORMATION PROPRIETARY TO PEAK PLASTIC & METAL PRODUCTS INTERNATIONAL LIMITED. REPRODUCTION, DISCLOSURE OR USE OF THIS DOCUMENT IS EXPRESSLY PROHIBITED EXCEPT IF OTHERWISE AGREED UPON IN WRITING.

DRAWN BY : Wang	PAGE 1 OF 2
CHECKED BY :	DATE : 9 MAR 99
APPROVED BY :	DATE : 9 MAR 99
APPROVED BY :	DATE : 9 MAR 99
DO NOT SCALE DRAWING	CODE : CSA05280

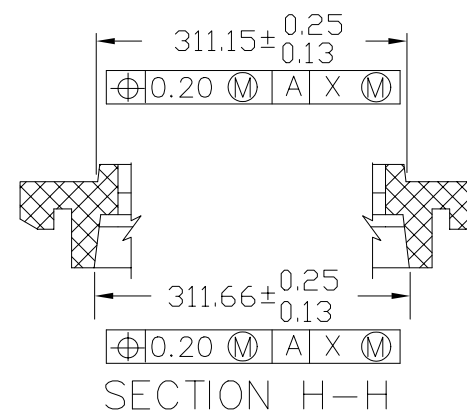
 PEAK PLASTIC & METAL PRODUCTS INT'L LTD.	CUSTOMER :	PEAK
	TITLE :	NH BG1919 2.0 0614 8
	DWG NO.:	NH BG1919 2.0 0614 8
	REV. 0	



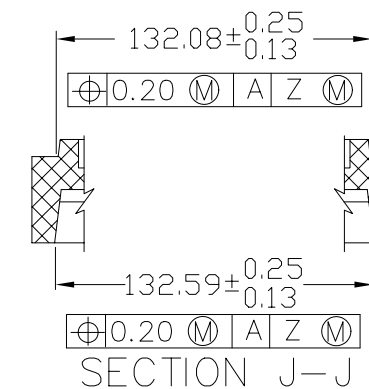
SECTION A-A



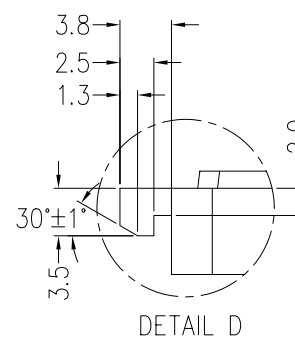
SECTION B-B



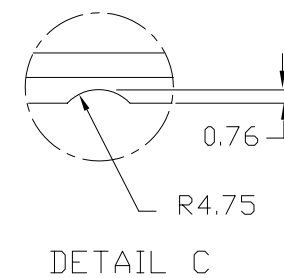
SECTION H-H



SECTION J-J



DETAIL D



DETAIL C

NOTE: SCALLOP IS CENTERED ON SIDE OF TRAY



PEAK PLASTIC & METAL PRODUCTS INT'L LTD.

0		RELEASED FOR PRODUCTION	9 MAR 99
REV.NO.	ECN #	DESCRIPTION	DATE

THIS DOCUMENT CONTAINS INFORMATION PROPRIETARY TO PEAK PLASTIC & METAL PRODUCTS INTERNATIONAL LIMITED. REPRODUCTION, DISCLOSURE OR USE OF THIS DOCUMENT IS EXPRESSLY PROHIBITED EXCEPT IF OTHERWISE AGREED UPON IN WRITING.

DRAWN BY : Wang	PAGE 2 OF 2
CHECKED BY :	DATE : 9 MAR 99
APPROVED BY :	DATE : 9 MAR 99
APPROVED BY :	DATE : 9 MAR 99
DO NOT SCALE DRAWING	CODE : CSA05280

CUSTOMER :	PEAK
TITLE :	NH BG1919 2.0 0614 8
DWG NO.:	NH BG1919 2.0 0614 8
REV. 0	