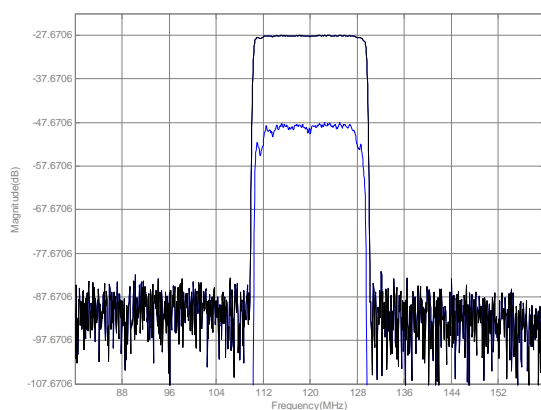




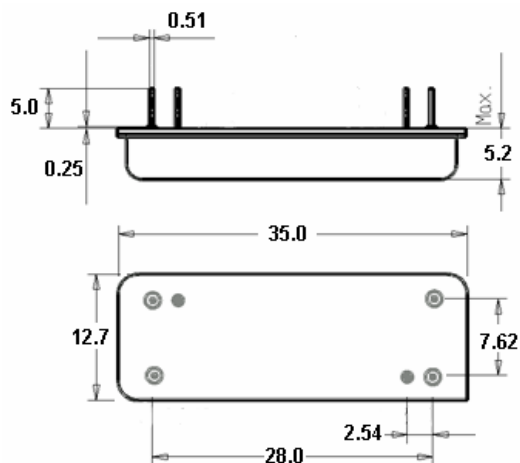
## LBN12008 SAW Filter Electrical Characteristic

<i>Specifications</i>				
Parameter	Unit	Minimum	Typical	Maximum
<b>Center Frequency</b>	MHz	119.9	120	120.1
<b>Insertion Loss</b>	dB	-	27.6	28.5
<b>1 dB Bandwidth</b>	MHz	-	18.44	-
<b>3 dB Bandwidth</b>	MHz	19.0	19.09	-
<b>25 dB Bandwidth</b>	MHz	-	19.95	20.0
<b>50 dB Bandwidth</b>	MHz	-	20.33	-
<b>Passband Variation</b>	dB	-	0.6	1.0
<b>Absolute Delay</b>	usec	-	3.15	-
<b>Ultimate Rejection</b>	dB	50	55	-
<b>Substrate Material</b>		YZ LiNbO3		
<b>Ambient Temperature</b>	°C	25		
<b>Package Size</b>		DIP3512 (35.0x12.7x5.2mm <sup>3</sup> )		

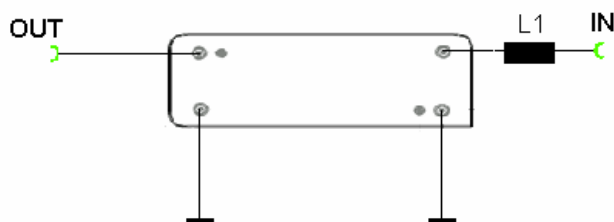
### *Typical Performance*



### *Package Outline*



### *Matching Configuration*



L1=56nH

Source/Load Impedance=50 ohm

Notes - Component values may change depending on board layout.