

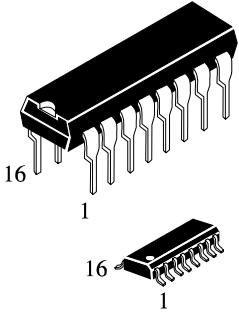
IN74ACT253

**Dual 4-Input Data Selector/Multiplexer
with 3-State Outputs
High-Speed Silicon-Gate CMOS**

The IN74ACT253 is identical in pinout to the LS/ALS253, HC/HCT253. The IN74ACT253 may be used as a level converter for interfacing TTL or NMOS outputs to High Speed CMOS inputs.

The Address Inputs select one of four Data Inputs from each multiplexer. Each multiplexer has an active-low Output Enable control and a three-state noninverting output.

- TTL/NMOS Compatible Input Levels
- Outputs Directly Interface to CMOS, NMOS, and TTL
- Operating Voltage Range: 4.5 to 5.5 V
- Low Input Current: 1.0 μ A; 0.1 μ A @ 25°C
- Outputs Source/Sink 24 mA

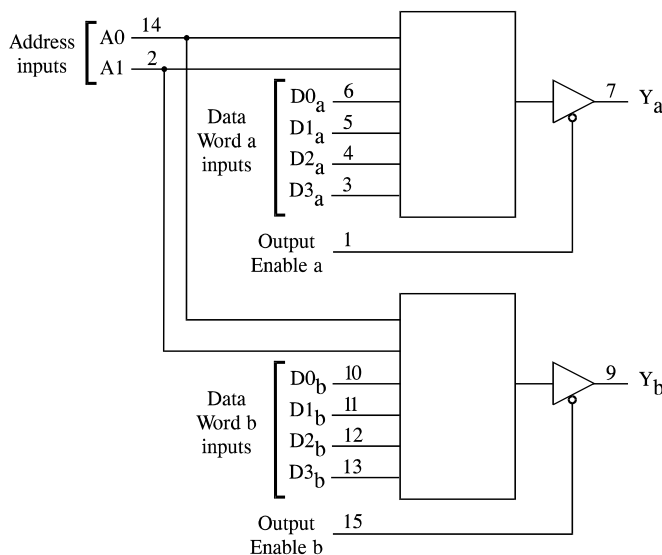


N SUFFIX
PLASTIC

D SUFFIX
SOIC

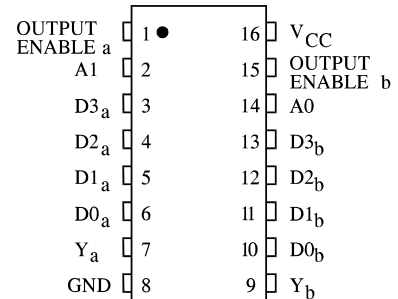
ORDERING INFORMATION
IN74ACT253N Plastic
IN74ACT253D SOIC
 $T_A = -40^\circ$ to 85° C for all packages

LOGIC DIAGRAM



PIN 16 = V_{CC}
PIN 8 = GND

PIN ASSIGNMENT



FUNCTION TABLE

| Inputs | | | Output |
|--------|----|---------------|--------|
| A1 | A0 | Output Enable | Y |
| X | X | H | Z |
| L | L | L | D0 |
| L | H | L | D1 |
| H | L | L | D2 |
| H | H | L | D3 |

D0,D1...D3=the level of the respective Data Input

Z = high impedance

X = don't care

MAXIMUM RATINGS*

| Symbol | Parameter | Value | Unit |
|------------------|--|------------------------------|------|
| V _{CC} | DC Supply Voltage (Referenced to GND) | -0.5 to +7.0 | V |
| V _{IN} | DC Input Voltage (Referenced to GND) | -0.5 to V _{CC} +0.5 | V |
| V _{OUT} | DC Output Voltage (Referenced to GND) | -0.5 to V _{CC} +0.5 | V |
| I _{IN} | DC Input Current, per Pin | ±20 | mA |
| I _{OUT} | DC Output Sink/Source Current, per Pin | ±50 | mA |
| I _{CC} | DC Supply Current, V _{CC} and GND Pins | ±50 | mA |
| P _D | Power Dissipation in Still Air, Plastic DIP+ SOIC Package+ | 750 500 | mW |
| T _{stg} | Storage Temperature | -65 to +150 | °C |
| T _L | Lead Temperature, 1 mm from Case for 10 Seconds (Plastic DIP or SOIC Package) | 260 | °C |

*Maximum Ratings are those values beyond which damage to the device may occur. Functional operation should be restricted to the Recommended Operating Conditions.

+Derating - Plastic DIP: - 10 mW/°C from 65° to 125°C
SOIC Package: - 7 mW/°C from 65° to 125°C

RECOMMENDED OPERATING CONDITIONS

| Symbol | Parameter | Min | Max | Unit |
|------------------------------------|---|--|-----------------|------|
| V _{CC} | DC Supply Voltage (Referenced to GND) | 4.5 | 5.5 | V |
| V _{IN} , V _{OUT} | DC Input Voltage, Output Voltage (Referenced to GND) | 0 | V _{CC} | V |
| T _J | Junction Temperature (PDIP) | | 140 | °C |
| T _A | Operating Temperature, All Package Types | -40 | +85 | °C |
| I _{OH} | Output Current - High | | -24 | mA |
| I _{OL} | Output Current - Low | | 24 | mA |
| t _r , t _f | Input Rise and Fall Time * (except Schmitt Inputs) | V _{CC} =4.5 V 0 V _{CC} =5.5 V 0 | 10 8.0 | ns/V |

* V_{IN} from 0.8 V to 2.0 V

This device contains protection circuitry to guard against damage due to high static voltages or electric fields. However, precautions must be taken to avoid applications of any voltage higher than maximum rated voltages to this high-impedance circuit. For proper operation, V_{IN} and V_{OUT} should be constrained to the range GND ≤ (V_{IN} or V_{OUT}) ≤ V_{CC}.

Unused inputs must always be tied to an appropriate logic voltage level (e.g., either GND or V_{CC}). Unused outputs must be left open.

DC ELECTRICAL CHARACTERISTICS (Voltages Referenced to GND)

| Symbol | Parameter | Test Conditions | V _{CC} V | Guaranteed Limits | | Unit |
|--------------------|--|---|----------------------|-------------------|---------------|------|
| | | | | 25 °C | -40°C to 85°C | |
| V _{IH} | Minimum High-Level Input Voltage | V _{OUT} =0.1 V or V _{CC} -0.1 V | 4.5 5.5 | 2.0 2.0 | 2.0 2.0 | V |
| V _{IL} | Maximum Low - Level Input Voltage | V _{OUT} = 0.1 V or V _{CC} -0.1 V | 4.5 5.5 | 0.8 0.8 | 0.8 0.8 | V |
| V _{OH} | Minimum High-Level Output Voltage | I _{OUT} ≤ -50 μA | 4.5 5.5 | 4.4 5.4 | 4.4 5.4 | V |
| | | *V _{IN} = V _{IL} or V _{IH} I _{OH} =-24 mA | 4.5 | 3.86 | 3.76 | |
| | | I _{OH} =-24 mA | 5.5 | 4.86 | 4.76 | |
| V _{OL} | Maximum Low-Level Output Voltage | I _{OUT} ≤ 50 μA | 4.5 5.5 | 0.1 0.1 | 0.1 0.1 | V |
| | | *V _{IN} = V _{IL} or V _{IH} I _{OL} =24 mA | 4.5 | 0.36 | 0.44 | |
| | | I _{OL} =24 mA | 5.5 | 0.36 | 0.44 | |
| I _{IN} | Maximum Input Leakage Current | V _{IN} =V _{CC} or GND | 5.5 | ±0.1 | ±1.0 | μA |
| I _{OZ} | Maximum Three-State Leakage Current | V _{IN} (OE)=V _{IL} , V _{IH} V _{IN} =V _{CC} , GND V _{OUT} =V _{CC} , GND | 5.5 | ±0.5 | ±5.0 | μA |
| ΔI _{CC} T | Additional Max I _{CC} /Input | V _{IN} =V _{CC} - 2.1 V | 5.5 | | 1.5 | mA |
| I _{OLD} | +Minimum Dynamic Output Current | V _{OLD} =1.65 V Max | 5.5 | | 75 | mA |
| I _{OHD} | +Minimum Dynamic Output Current | V _{OHD} =3.85 V Min | 5.5 | | -75 | mA |
| I _{CC} | Maximum Quiescent Supply Current (per Package) | V _{IN} =V _{CC} or GND | 5.5 | 8.0 | 80 | μA |

* All outputs loaded; thresholds on input associated with output under test.

+Maximum test duration 2.0 ms, one output loaded at a time.

AC ELECTRICAL CHARACTERISTICS ($V_{CC}=5.0\text{ V} \pm 10\%$, $C_L=50\text{pF}$, Input $t_r=t_f=3.0\text{ ns}$)

| Symbol | Parameter | Guaranteed Limits | | | | Unit |
|-----------|---|--------------------------------------|------|---------------|------|------|
| | | 25 °C | | -40°C to 85°C | | |
| | | Min | Max | Min | Max | |
| t_{PLH} | Propagation Delay, Address to Output Y (Figure 1) | 2.0 | 11.5 | 2.0 | 13.0 | ns |
| t_{PHL} | Propagation Delay, Address to Output Y (Figure 1) | 3.0 | 13.0 | 2.5 | 14.5 | ns |
| t_{PLH} | Propagation Delay, Data to Output Y (Figure 1) | 2.5 | 10.0 | 2.0 | 11.0 | ns |
| t_{PHL} | Propagation Delay, Data to Output Y (Figure 1) | 3.5 | 11.0 | 3.0 | 12.5 | ns |
| t_{PZH} | Propagation Delay, Output Enable to Y (Figure 2) | 2.0 | 7.5 | 1.5 | 8.5 | ns |
| t_{PZL} | Propagation Delay, Output Enable to Y (Figure 2) | 2.0 | 8.0 | 1.5 | 9.0 | ns |
| t_{PHZ} | Propagation Delay, Output Enable to Y (Figure 2) | 3.0 | 9.5 | 2.5 | 10.0 | ns |
| t_{PLZ} | Propagation Delay, Output Enable to Y (Figure 2) | 2.5 | 7.5 | 2.0 | 8.5 | ns |
| C_{IN} | Maximum Input Capacitance | 4.5 | | 4.5 | | pF |
| C_{PD} | Power Dissipation Capacitance | Typical @25°C, $V_{CC}=5.0\text{ V}$ | | | | pF |
| | | 50 | | | | |

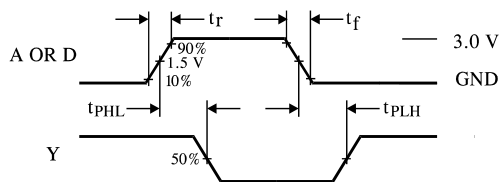


Figure 1. Switching Waveforms

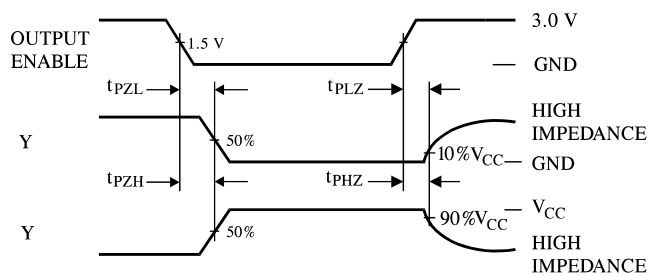
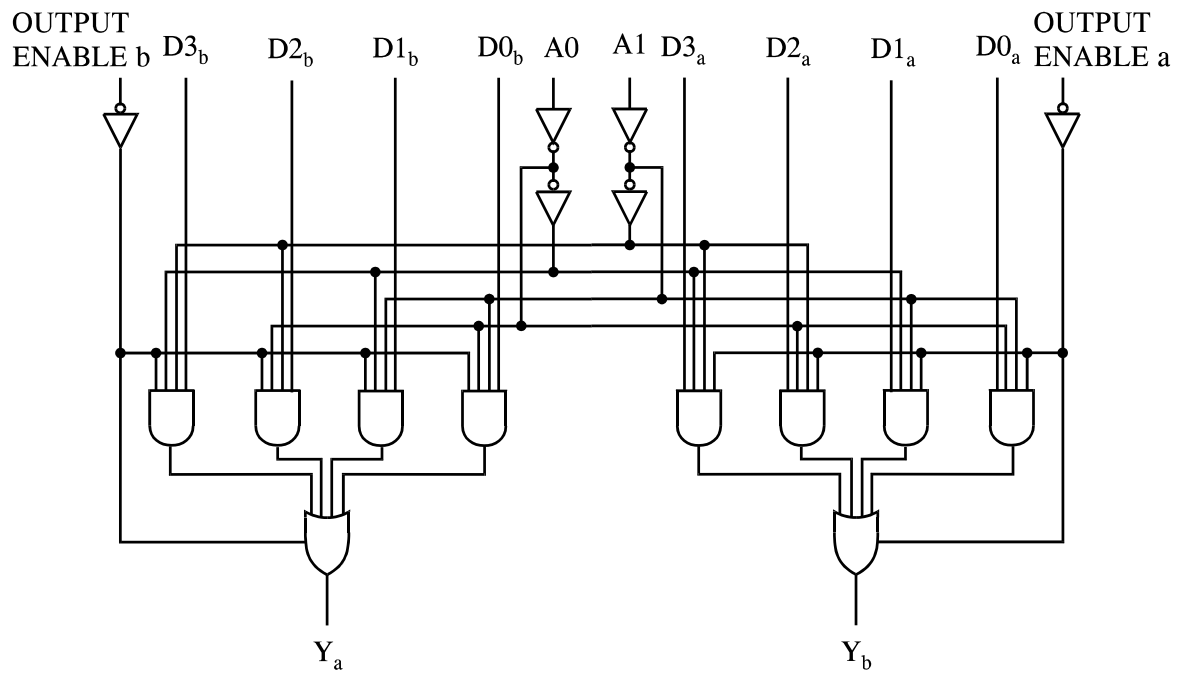
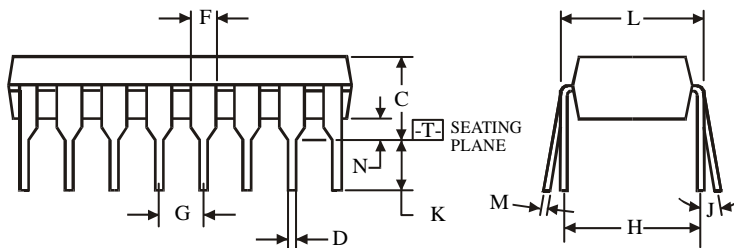
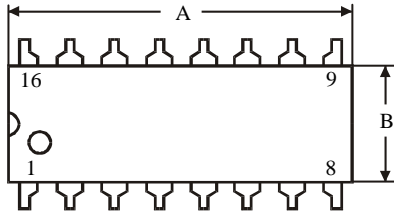
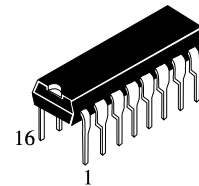


Figure 2. Switching Waveforms

EXPANDED LOGIC DIAGRAM



**N SUFFIX PLASTIC DIP
(MS - 001BB)**



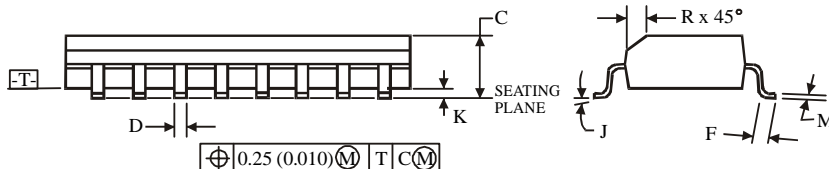
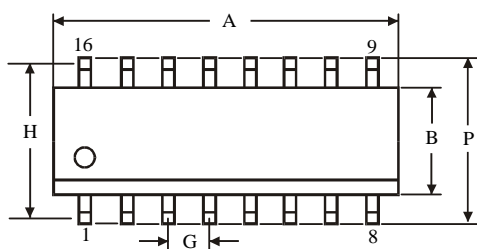
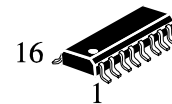
$\oplus 0.25 (0.010) \text{ (M) T}$

NOTES:

- Dimensions "A", "B" do not include mold flash or protrusions.
Maximum mold flash or protrusions 0.25 mm (0.010) per side.

| Symbol | Dimension, mm | |
|--------|---------------|-------|
| | MIN | MAX |
| A | 18.67 | 19.69 |
| B | 6.1 | 7.11 |
| C | | 5.33 |
| D | 0.36 | 0.56 |
| F | 1.14 | 1.78 |
| G | 2.54 | |
| H | 7.62 | |
| J | 0° | 10° |
| K | 2.92 | 3.81 |
| L | 7.62 | 8.26 |
| M | 0.2 | 0.36 |
| N | 0.38 | |

**D SUFFIX SOIC
(MS - 012AC)**



$\oplus 0.25 (0.010) \text{ (M) T C (M)}$

NOTES:

- Dimensions A and B do not include mold flash or protrusion.
- Maximum mold flash or protrusion 0.15 mm (0.006) per side for A; for B - 0.25 mm (0.010) per side.

| Symbol | Dimension, mm | |
|--------|---------------|------|
| | MIN | MAX |
| A | 9.8 | 10 |
| B | 3.8 | 4 |
| C | 1.35 | 1.75 |
| D | 0.33 | 0.51 |
| F | 0.4 | 1.27 |
| G | 1.27 | |
| H | 5.72 | |
| J | 0° | 8° |
| K | 0.1 | 0.25 |
| M | 0.19 | 0.25 |
| P | 5.8 | 6.2 |
| R | 0.25 | 0.5 |