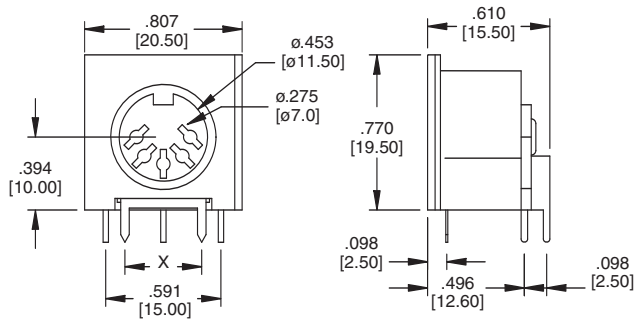
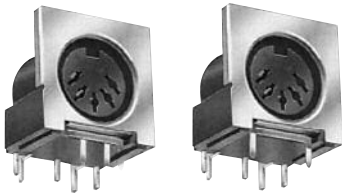


#### DIN JACK SHIELDED 5 POSITION

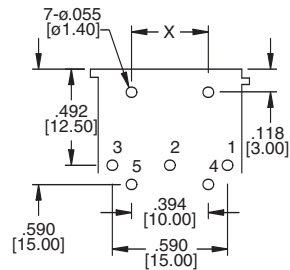


X = PITCH .197 [5.00] OR .394 [10.00]

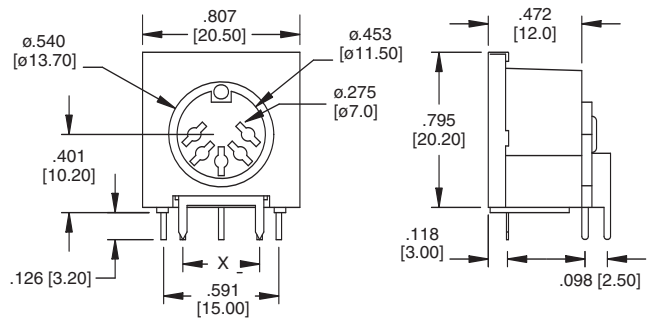


DJ-005-S.5

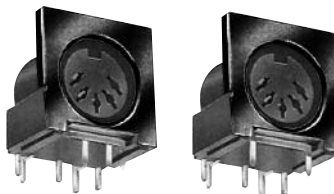
DJ-005-S



#### DIN JACK NON-SHIELDED 5 POSITION

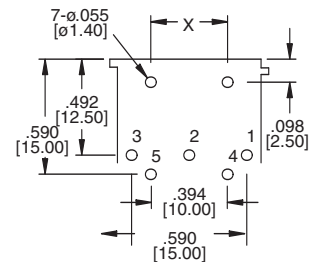


X = PITCH .197 [5.00] OR .394 [10.00]

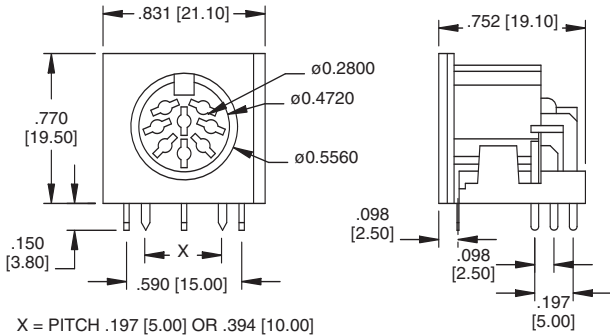


DJ-005-.5

DJ-005



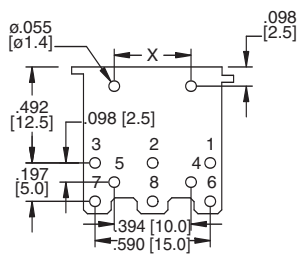
#### DIN JACKS NON-SHIELDED, POSITIONS: 3P, 4P, 6P, 7P, 8P



X = PITCH .197 [5.00] OR .394 [10.00]

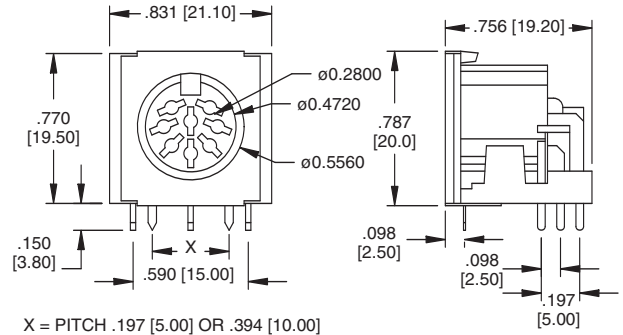


DJ-008



Recommended PCB Layout

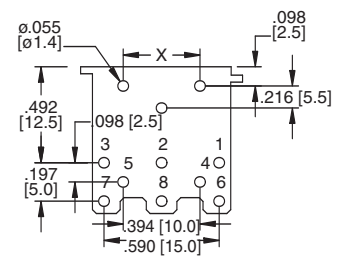
#### DIN JACK SHIELDED, POSITIONS: 3P, 4P, 6P, 7P, 8P



X = PITCH .197 [5.00] OR .394 [10.00]

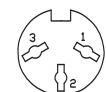


DJ-008-S



Recommended PCB Layout

#### MATING FACE CONFIGURATIONS



3 Position



4 Position



5 Position



6 Position



7 Position



8 Position