



Frontier Electronics Corp.

667 E. COCHRAN STREET, SIMI VALLEY, CA 93065

TEL: (805) 522-9998 FAX: (805) 522-9989

E-mail: frontiersales@frontierusa.com

Web: frontierusa.com

Hi-Current Toroid Inductors—3261I-series

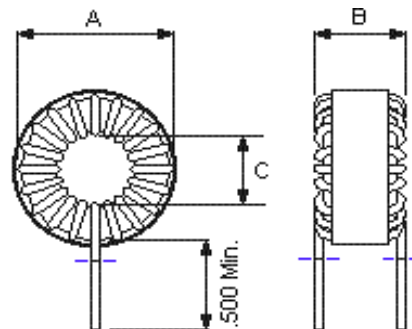
A. Electrical specifications and Mechanical dimensions (Inches):

Part No.	L (uH) ±15% @ 1KHz	I DC Max. (Amp.)	L(uH) Min @ I DC	DCR Ω (Max.)	Dimensions (max.)			
					A	B	C	Pin φ
3261I01	25	2.50	16	0.040	0.550	0.220	0.150	0.020
3261I02	35	2.50	29	0.035	0.700	0.320	0.150	0.025
3261I03	50	2.50	35	0.060	0.750	0.320	0.150	0.020
3261I04	100	2.50	70	0.080	0.850	0.360	0.200	0.020
3261I05	70	3.00	50	0.050	0.850	0.360	0.200	0.025
3261I06	40	4.00	30	0.025	0.850	0.360	0.200	0.032
3261I07	10	11.00	5.0	0.008	0.875	0.437	0.187	0.064
3261I08	25	5.50	12	0.014	0.875	0.437	0.187	0.040
3261I09	125	2.75	70	0.120	0.875	0.437	0.187	0.020
3261I10	275	2.00	150	0.240	0.875	0.437	0.187	0.016
3261I11	450	1.50	250	0.490	0.875	0.437	0.187	0.012
3261I12	25	9.00	15	0.012	1.125	0.562	0.312	0.064
3261I13	75	5.00	40	0.040	1.125	0.562	0.312	0.036
3261I14	400	2.25	225	0.330	1.125	0.562	0.312	0.018
3261I15	800	1.75	475	0.640	1.125	0.562	0.312	0.015
3261I16	1000	1.50	575	0.980	1.125	0.562	0.312	0.012
3261I17	50	9.50	25	0.012	1.250	0.625	0.375	0.064
3261I18	150	4.75	85	0.046	1.250	0.625	0.375	0.036
3261I19	700	2.25	400	0.420	1.250	0.625	0.375	0.018
3261I20	1250	1.75	750	0.850	1.250	0.625	0.375	0.015
3261I21	1600	1.50	950	1.270	1.250	0.625	0.375	0.012
3261I22	125	7.75	65	0.032	1.812	0.75	0.750	0.064
3261I23	500	4.00	275	0.150	1.812	0.75	0.750	0.032
3261I24	1100	2.50	650	0.330	1.812	0.75	0.750	0.025
3261I25	2250	1.75	1350	0.920	1.812	0.75	0.750	0.018
3261I26	4500	1.25	2700	2.640	1.812	0.75	0.750	0.012
3261I27	250	8.00	125	0.041	2.125	0.937	0.625	0.062
3261I28	900	3.75	500	0.175	2.125	0.937	0.625	0.032
3261I29	1800	2.50	1000	0.550	2.125	0.937	0.625	0.023
3261I30	4000	1.75	2100	1.160	2.125	0.937	0.625	0.018
3261I31	8000	1.00	4500	3.340	2.125	0.937	0.625	0.012

B. General information:

1. Electrical spec. test condition: 1.0KHz / 1V. at 25°C.
2. Current to cause temperature Rise: 40°C. Max.
3. Low core loss, Low cost and high current capacity.
4. Operating temperature: -20°C TO +105°C.
5. Insulation Resistance: 100M OHMS at 500VDC.

C. Mechanical dimension:



Leads tinned to within .062 of body.

★ Custom specifications are available.

Note: **RoHS** compliant; for the **ROHS** parts, we add “-LFR” at the end of the P/N.