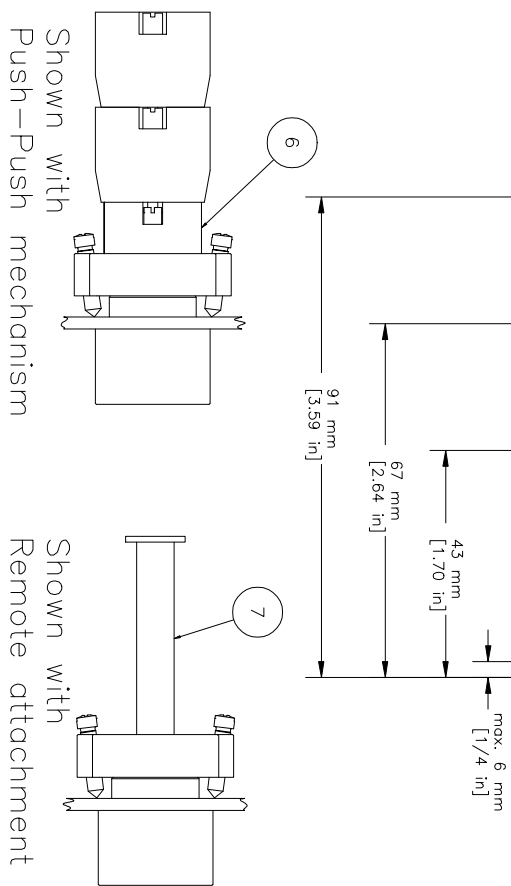
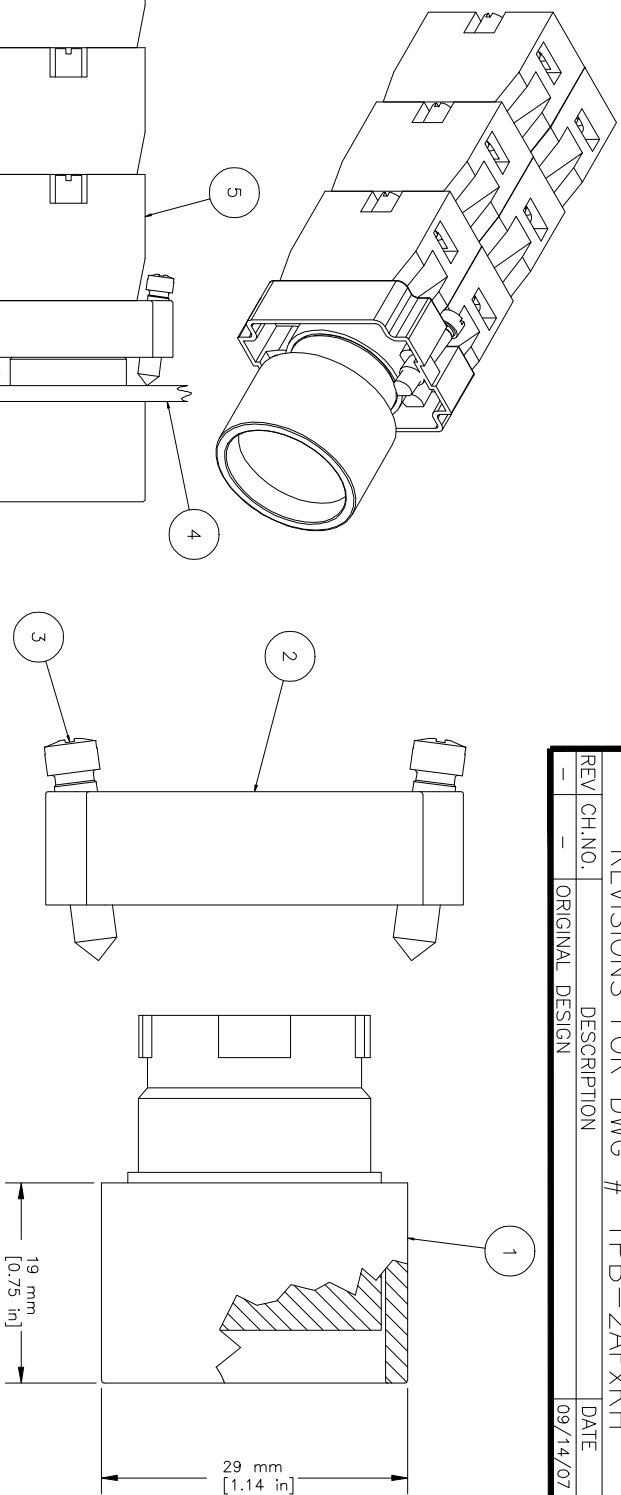


REVISIONS FOR DWG # 1PB-2AFXRH

REV. CH. NO.	DESCRIPTION	DATE	REVISED BY
-	ORIGINAL DESIGN	09/14/07	Phil E.



ITEM	DESCRIPTION	CAT. NO.	COLOR	MIN. QTY.	MAX. QTY.
1	Recessed Operator (comes with mounting bracket 2BRK)	2AF1RH 2AF2RH 2AF3RH 2AF4RH 2AF6RH 2AF8RH	White Black Green Red Blue Yellow	1 1 1 1 1 1	1 1 1 1 1 1
2	Mounting Bracket	2BRK	-	1	1
3	Mounting Bracket Screws	incl. in 2BRK	-	2	2
4	Panel	S1 S2 S3 S4	Green Red Green/Gray Red/Gray	1 1 1 1	6 6 6 6
5	Switch Contacts	2PPM	Black	1	1
6	Maintained Action Block	Add Suffix "RR"	-	1	1
7	Remote Attachment	-	-	1	1

UNLESS OTHERWISE SPECIFIED

- ALL DIMENSIONS ARE IN MILLIMETERS
- THIRD ANGLE PROJECTION

Attech Corp.

This Drawing is the property of
35 Royal Road
Flemington NJ 08822-6000
(908) 806-9400 • Fax (908) 806-9490

AND IS A CONFIDENTIAL DISCLOSURE
LENT WITHOUT CONSIDERATION OTHER
THAN THE BORROWER'S AGREEMENT
THAT IT SHALL NOT BE REPRODUCED,
COPIED, LENT, OR DISPOSED OF
DIRECTLY OR INDIRECTLY NOR USED
FOR ANY PURPOSE OTHER THAN THAT
FOR WHICH IT IS SPECIFICALLY
FURNISHED.

• TOLERANCE

XX	±1 mm
XX X	±0.5 mm
XX.XX	±0.2 mm
ALL	- mm

MUR-C

TITLE: 22 mm Non-Illuminated Recessed Metal Operator 2AFXRH (x=color)

DRAWN BY:	09/14/07	DRAWING NO.:	1PB-2AFXRH	REV.:	-
Philipp Ernstberger					
CHECKED BY:	09/14/07	SCALE:	-	SHEET:	1 OF 1
Laszlo Gyorgypal					
RELEASED BY:	09/14/07				
Laszlo Gyorgypal					