

Small Plastic Package, Dual SPDT Audio Clickless Analog Switch (with Shunt Switches)

Features

- CMOS Technology for Bus and Analog Applications
- Low On-Resistance: $0.6\Omega @ 2.7V$
- Wide V_{CC} Range: $2.7V TO 4.2V \pm 10\%$
- Rail-to-Rail Signal Range
- High Off Isolation: $-80dB @ 100 kHz$
- Crosstalk Rejection Reduces Signal Distortion: $-90dB @ 100 kHz$
- Break-Before-Make Switching
- Extended Industrial Temperature Range: $-40^{\circ}C$ to $85^{\circ}C$
- Packaging: Pb-free & Green, 10-contact TQFN (ZL10)

Applications

- Cell Phones
- PDAs
- MP3 players
- Portable Instrumentation
- Computer Peripherals
- Speaker Headset Switching
- Power Routing
- Relay Replacement
- Audio and Video Signal Routing
- PCMCIA Cards
- Modems

Pin Description

| Pin # | Name | Description |
|-------|------------------|-----------------------------|
| 2,5 | NO _X | Data Port (Normally open) |
| 9 | V _{CC} | Positive Power Supply |
| 7, 10 | NC _X | Data Port (Normally closed) |
| 3 | GND | Ground |
| 1, 6 | COM _X | Common Output/Data Port |
| 4, 8 | IN _X | Logic Control |

Logic Function Table

| Logic Input (IN _X) | Function |
|--------------------------------|---|
| 0 | NC _X Connected to COM _X |
| 1 | NO _X Connected to COM _X |

Note: x = 1, or 2

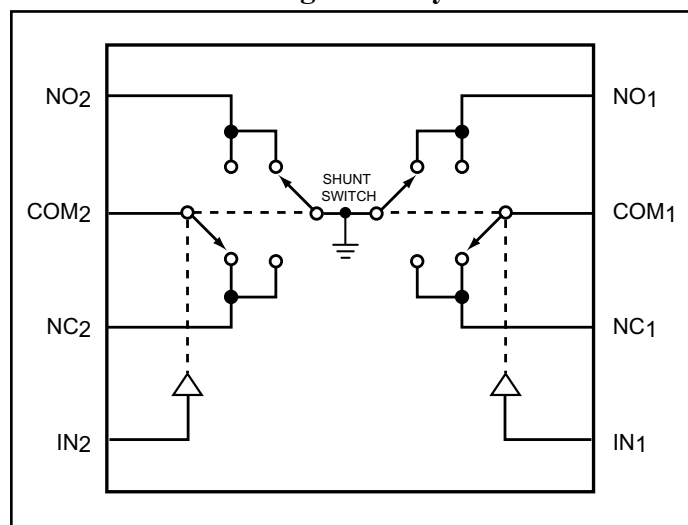
Description

Pericom Semiconductor's PI3A212S is a dual high-bandwidth, fast single-pole double throw (SPDT) CMOS switch. It can be used as an analog switch or as a low-delay bus switch. Specified over a wide operating power supply voltage, 2.7V to 4.2V, the PI3A212S has a low On-Resistance of $0.6\Omega @ 2.7V$.

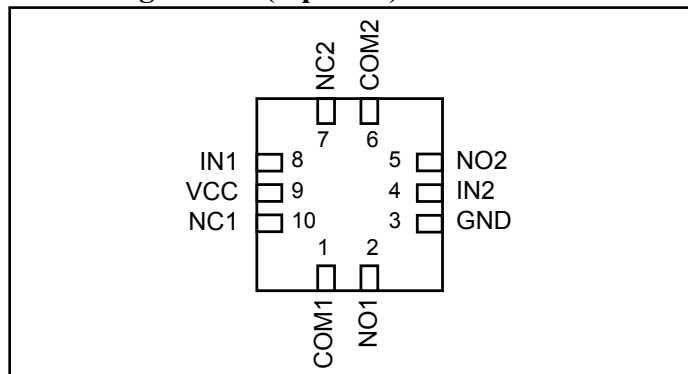
Break-before-make switching prevents both switches being enabled simultaneously. This eliminates signal disruption during switching.

The PI3A212S shunt switches connected to ground in order to dissipate capacitance that builds up on the unconnected NC or NO line. As a result, reduction of popping and clicking sounds is achieved when switching between audio sources.

Functional Block Diagram Only



Pin Configuration (top view)



Absolute Maximum Ratings⁽¹⁾

| | |
|--|--------------------------|
| Supply Voltage V_{CC} | -0.5V to +4.6V |
| DC Switch Voltage (V_S) ⁽²⁾ | -0.5V to $V_{CC} + 0.5V$ |
| DC Input Voltage (V_{IN}) ⁽²⁾ | -0.5V to +4.6V |
| Storage Temperature Range (T_{STG}) | -65°C to +150°C |
| Junction Temperature under Bias (T_J) | 150°C |
| Junction Lead Temperature (T_L) | |
| (Soldering, 10 seconds) | 260°C |
| Power Dissipation (P_D) @ +85°C | 180mW |

Recommended Operating Conditions⁽³⁾

| | |
|---|-------------------|
| Supply Voltage Operating (V_{CC}) | 2.7V to 4.2V |
| Control Input Voltage (V_{IN}) | 0V to V_{CC} |
| Switch Input Voltage (V_{IN}) | -0.3V to V_{CC} |
| Output Voltage (V_{OUT}) | 0V to V_{CC} |
| Operating Temperature (T_A) | -40°C to +85°C |
| Input Rise and Fall Time (t_r, t_f) | |
| Control Input $V_{CC} = 2.3V - 3.6V$ | 0ns/V to 10ns/V |
| Thermal Resistance (θ_{JA}) | 350°C/W |

Notes:

1. "Absolute Maximum Ratings" may cause permanent damage to the device. This is a stress only rating and operation of the device at these or any other conditions beyond those indicated in the operational sections of this specification is not implied.
2. The input and output negative voltage ratings may be exceeded if the input and output diode current ratings are observed.
3. Control input must be held HIGH or LOW; it must not float.

DC Electrical Characteristics +3V Supply

($V_{CC} = 2.7V$ to $3.3V$, $T_A = -40^{\circ}C$ to $85^{\circ}C$, unless otherwise noted. Typical values are at $3V$ and $+25^{\circ}C$.)

| Parameter | Symbol | Test Conditions | Min. | Typ. | Max. | Units |
|--------------------------------------|---------------------------|--|------|------|----------|----------|
| Analog Switch | | | | | | |
| Analog Signal Range | V_{NO}, V_{NC}, V_{COM} | | -0.3 | | V_{CC} | V |
| NC On-Resistance | $R_{ON(NC)}$ | $V_{CC} = 2.7V, I_{COM} = 100mA, V_{NC} = 0$ to V_{CC} | | 0.6 | 0.8 | Ω |
| NO On-Resistance | $R_{ON(NO)}$ | $V_{CC} = 2.7V, I_{COM} = 100mA, V_{NO} = 0$ to V_{CC} | | 0.6 | 0.8 | |
| On-Resistance Match Between Channels | ΔR_{ON} | $V_{CC} = 2.7V, I_{COM} = 100mA, V_{NO}$ or $V_{NC} = 1.5V$ | | 0.01 | 0.08 | |
| NC On-Resistance Flatness | $R_{ONF(NC)}$ | $V_{CC} = 2.7V, I_{COM} = 100mA, V_{NC} = 0$ to V_{CC} | | .15 | | |
| NO On-Resistance Flatness | $R_{ONF(NO)}$ | $V_{CC} = 2.7V, I_{COM} = 100mA, V_{NO} = 0$ to V_{CC} | | .15 | | |
| Shunt Switch Resistance | R_{SH} | I_{NO} or $I_{NC} = 10mA, V_{CC} = 2.7V$ | | | 35 | |
| COM On Leakage Current | $I_{COM(ON)}$ | $V_{CC} = 2.7V, V_{NC}$ or $V_{NO} = 0.3V, +2.5V, V_{COM} = +2.5V, 0.3V$ | -160 | | 160 | |
| Digital I/O | | | | | | |
| Input Logic High | V_{IH} | $V_{CC} = 2.7V$ to $3.3V$ | 1.3 | | | V |
| | | $V_{CC} = 4.2V$ | 1.4 | | | |
| Input Logic Low | V_{IL} | $V_{CC} = 2.7V$ to $3.3V$ | | | 0.6 | |
| | | $V_{CC} = 4.2V$ | | | 0.8 | |
| IN Input Leakage Current | I_{IN} | $V_{IN} = 0$ or V_{CC} | -0.5 | | 0.5 | μA |
| Power Supply | | | | | | |
| Power-Supply Range | V_{CC} | | 2.7 | | 4.6 | V |
| Supply Current | I_{CC} | $V_{CC} = 4.2V, V_{IN} = 0$ or V_{CC} | | | | nA |
| | | | | | 400 | |

Switch and AC Characteristics

| Parameter | Symbol | Test Conditions | Min. | Typ. | Max. | Units |
|-------------------------|------------|--|------|------|------|-------|
| Turn-On Time | t_{ON} | $V_{CC} = 2.7V$, V_{NO} or $V_{NC} = 1.5V$, $R_L = 50\Omega$, $C_L = 35pF$, <i>See Test Circuit Fig. 1 & 2</i> | | 25 | | ns |
| Turn-Off Time | t_{OFF} | $V_{CC} = 2.7V$, V_{NO} or $V_{NC} = 1.5V$, $R_L = 50\Omega$, $C_L = 35pF$, <i>See Test Circuit Fig. 1 & 2</i> | | 10 | | |
| Break-Before-Make Delay | t_{BBM} | $V_{CC} = 2.7V$, V_{NO} or $V_{NC} = 1.5V$, $R_L = 50\Omega$, $C_L = 35pF$, <i>See Test Circuit Fig. 3</i> | | 20 | | |
| Charge Injection | Q | COM = 0, $R_S = 0$, $C_L = 1nF$, <i>See Test Circuit Fig. 4</i> | | 55 | | pC |
| Off-Isolation | O_{IRR} | $C_L = 5pF$, $R_L = 50\Omega$, $f = 100kHz$, $V_{COM} = 1 V_{RMS}$, <i>See Test Circuit Fig. 5</i> | | -80 | | dB |
| Crosstalk | X_{TALK} | $C_L = 5pF$, $R_L = 50\Omega$, $f = 100kHz$, $V_{COM} = 1 V_{RMS}$, <i>See Test Circuit Fig. 6</i> | | -90 | | |
| 3dB Bandwidth | f_{3dB} | <i>See Test Circuit Fig. 9</i> | | 60 | | MHz |

Capacitance

| Parameter | Symbol | Test Conditions | Min. | Typ. | Max. | Units |
|-------------------|---------------|---|------|------|------|-------|
| NC On Capacitance | $C_{NC (ON)}$ | $f = 1MHz$, <i>See Test Circuit Fig. 8</i> | | 95 | | pF |
| NO On Capacitance | $C_{NO (ON)}$ | $f = 1MHz$, <i>See Test Circuit Fig. 8</i> | | 95 | | |

Test Circuits and Timing Diagrams

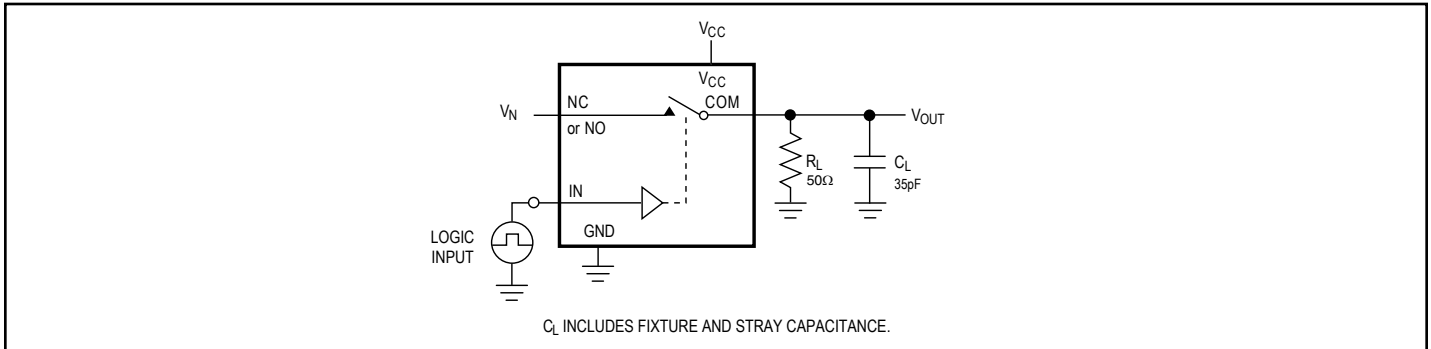


Figure 1. AC Test Circuit

Notes:

1. Unused input (NC or NO) must be grounded.

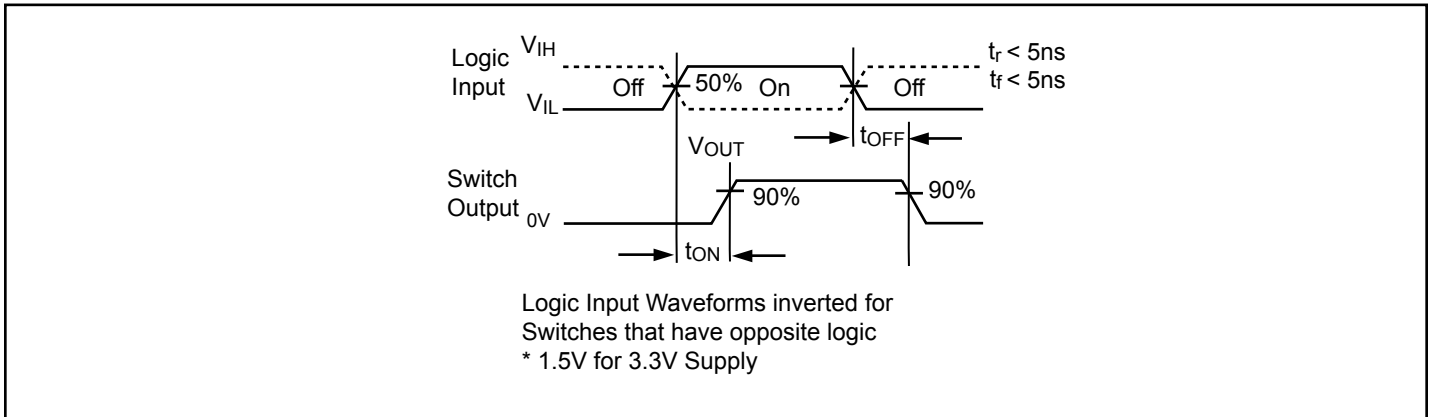


Figure 2. AC Waveforms

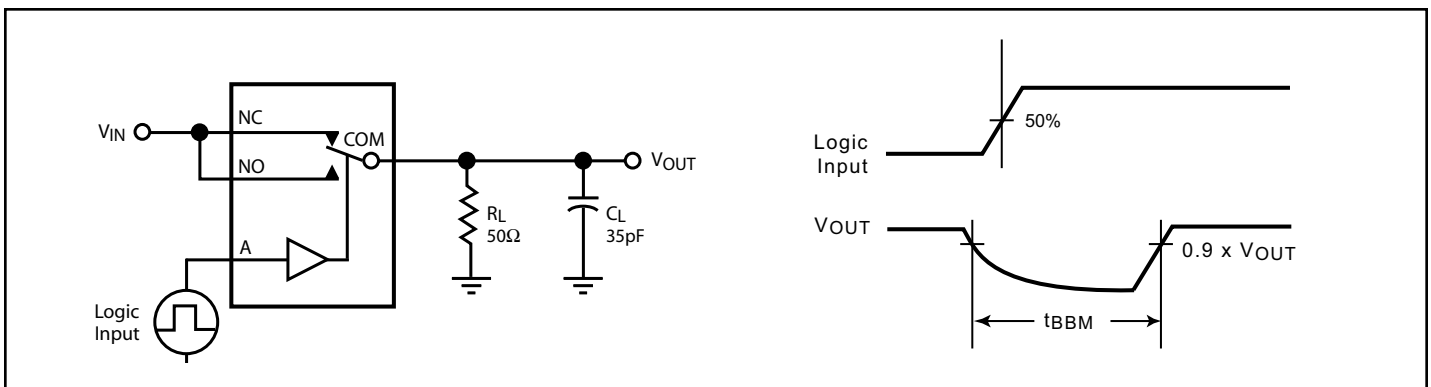


Figure 3. Break Before Make Interval Timing

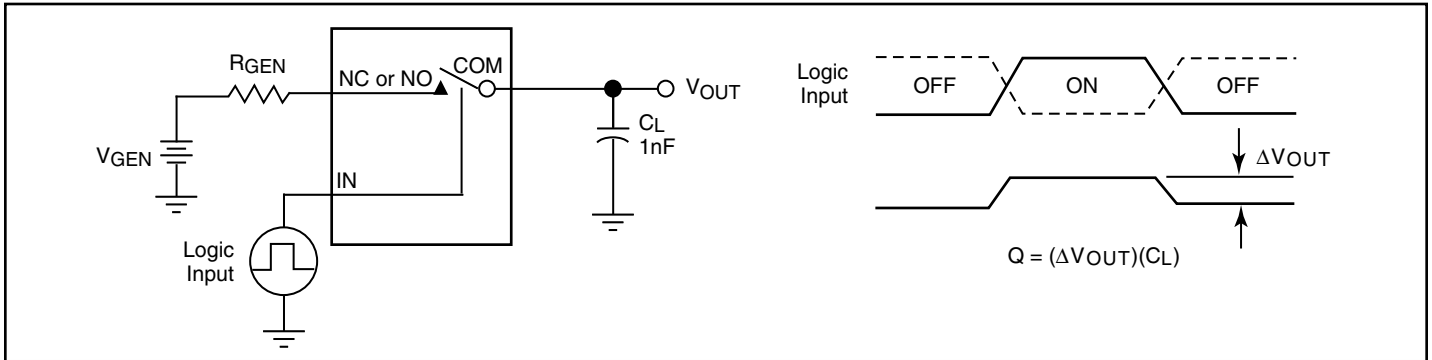


Figure 4. Charge Injection Test

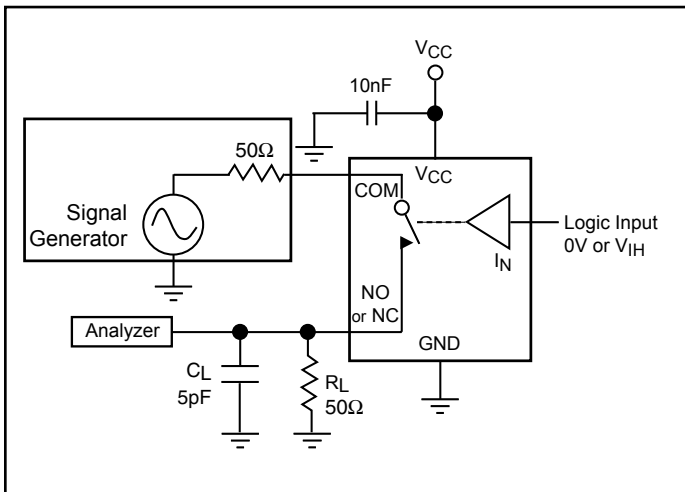


Figure 5. Off Isolation

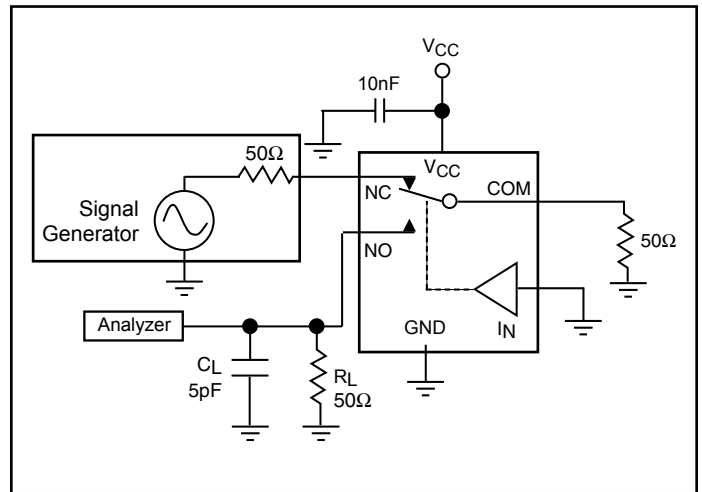


Figure 6. Crosstalk

Note:

1. Crosstalk measured from one channel to the pins of the other channel.

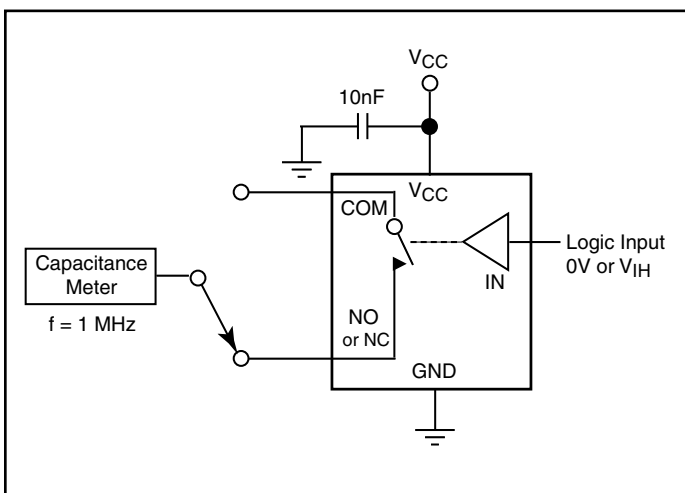


Figure 7. Channel Off Capacitance

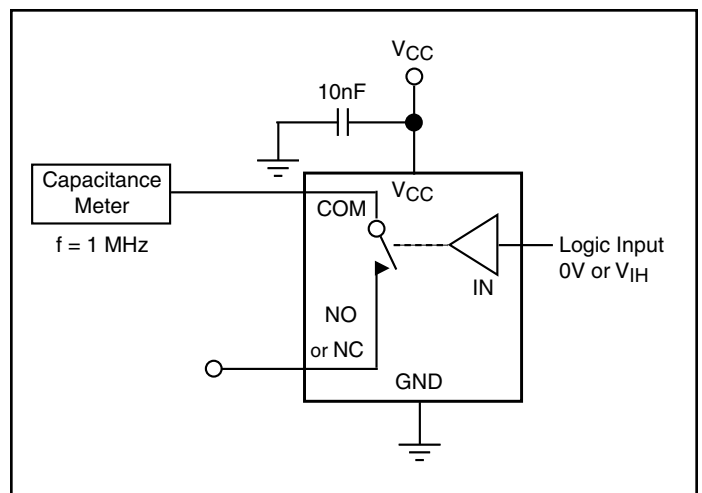


Figure 8. Channel On Capacitance

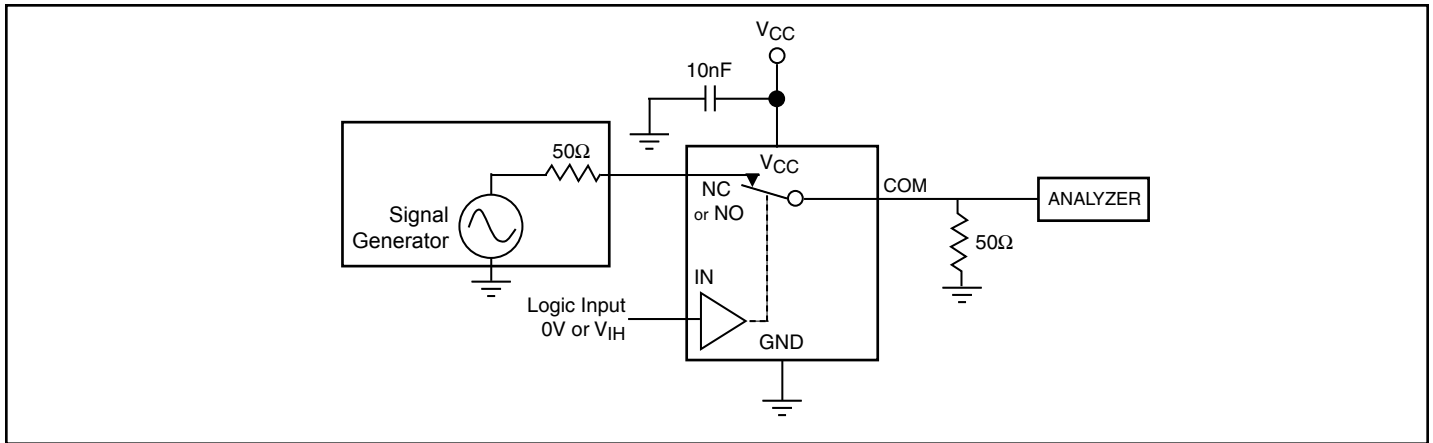
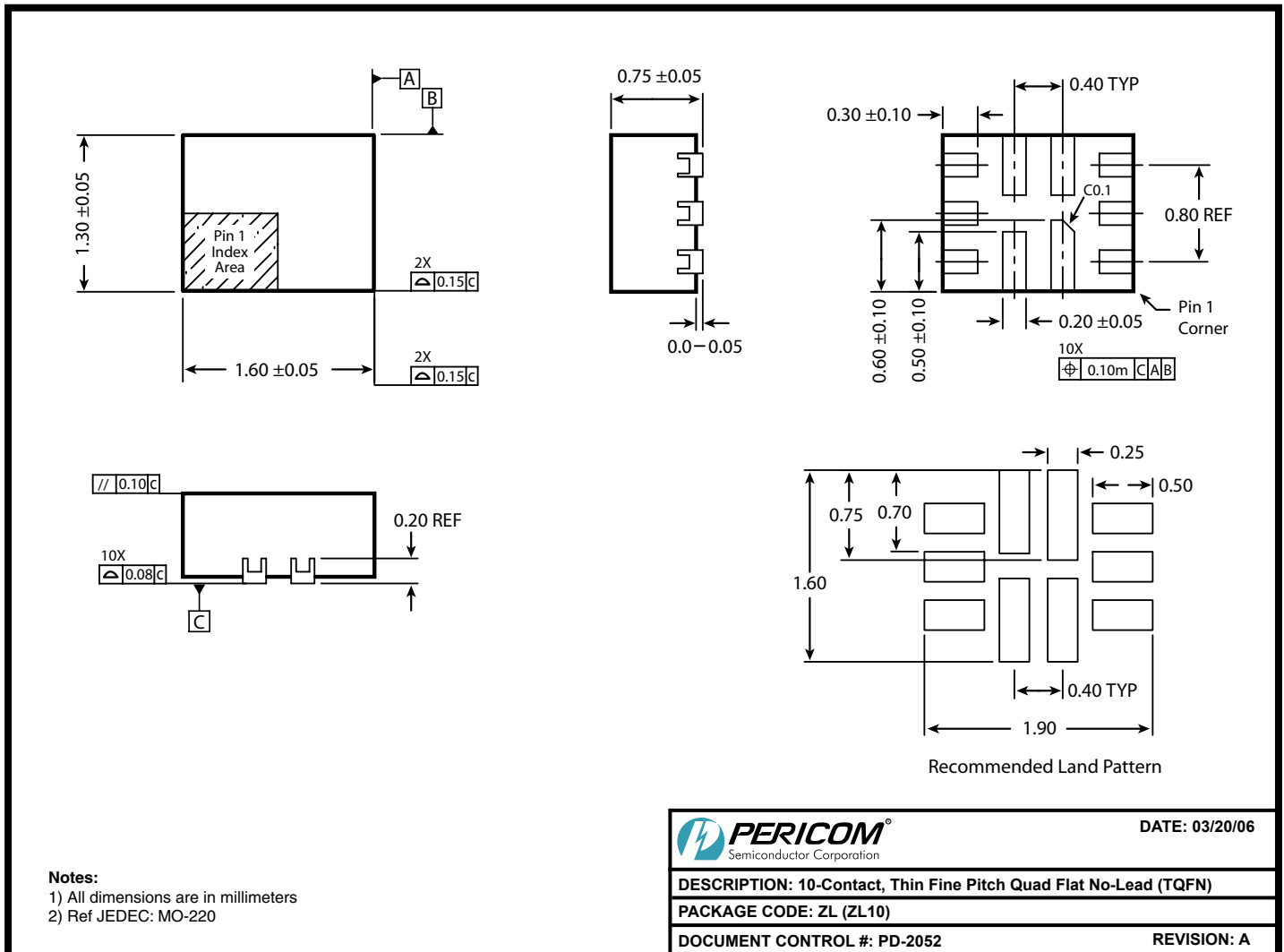


Figure 9. Bandwidth



Ordering Information

| Ordering Code | Packaging Code | Package Type | Top Mark |
|---------------|----------------|----------------------------------|----------|
| PI3A212SZLE | ZL | Pb-free & Green, 10-contact TQFN | SC |

Notes:

- Thermal characteristics can be found on the company web site at www.pericom.com/packaging/
- E = Pb-free & Green
- Adding an X suffix = Tape/Reel