



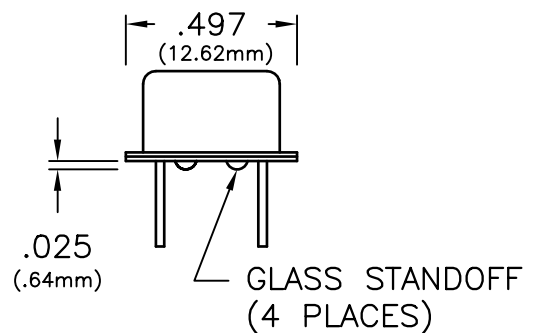
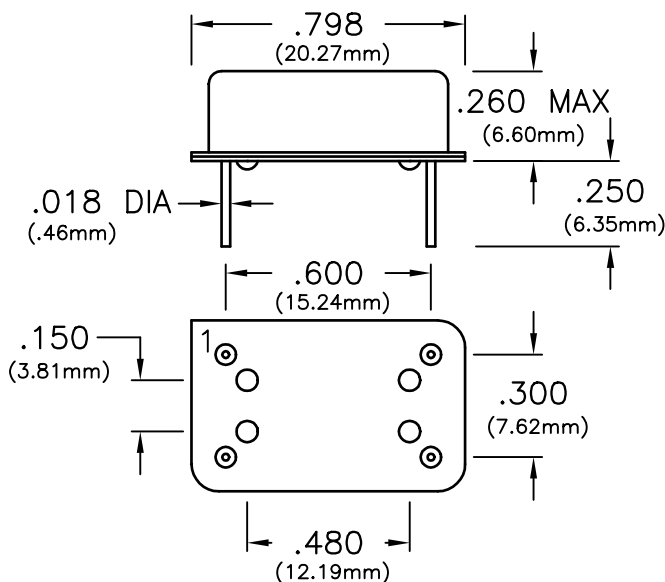
# CONNOR-WINFIELD CORPORATION

AURORA, IL. 60505  
 PHONE (630) 851-4722  
 FAX (630) 851-5040

## OSCILLATORS

### MPH-SERIES OSCILLATOR

SPECIFICATIONS	MPH73		
Frequency Range	250KHz to 66.67MHz		
Frequency Stability	±100ppm		
Operating Temperature Range	-55°C to +125°C		
Storage Temperature Range	-55°C to +125°C		
Supply Voltage	+5Vdc ±10%		
Supply Current (at 25°C)	25mA Maximum		
Output	Load	HCMOS; CL: 15pF	
	Driving Ability	HCMOS	
	Symmetry	48/52 Maximum	
	Voltage	Voh	4.5V Minimum
		Vol	0.5V Maximum
	Current	Ioh	-16mA
		Iol	16mA
Rise/Fall Time	10nS Maximum		
Rise/Fall Time (at max load)	15/15nS Maximum (CL Max: 50pf)		
Start Up Time	10mS Maximum		
Package	All metal, hermetically sealed, welded package		



PIN	CONNECTION
1	N/C
7	GROUND
8	OUTPUT
14	Vcc

Dimensional Tolerance ±.005

Specifications subject to change without notice

BULLETIN #: HC003  
 PAGE 1 OF 1

REV: 02  
 DATE: 5/25/95

ISSUED BY: \_\_\_\_\_