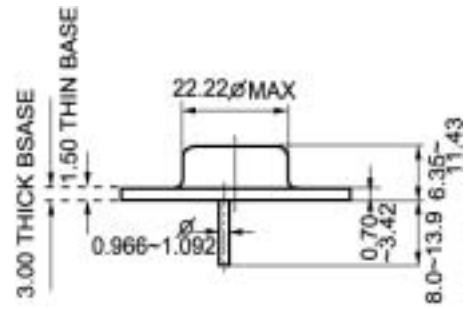


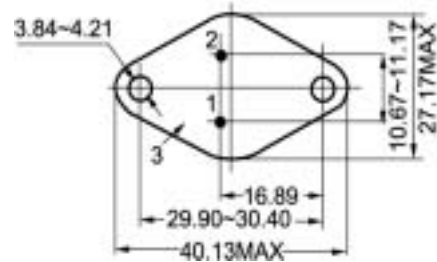
LM317K



◆ Features

- With TO-3 package
- 1, Adjust 2, Input 3, Output
- Output voltage range :1.2V to 37V
- Output current in excess of 1.5A

◆ Absolute maximum rating



Symbol	Parameter	Value	Unit
$V_i - V_o$	Input-output voltage differential	40	V
I_o	Output current	1.5	A
P_D	Power dissipation	Internally limited	W
T_{OP}	Operating junction temperature	0~+125	
T_{STG}	Storage temperature	-65~+125	

◆ Electrical characteristics

($V_i - V_o = 5V$, $I_o = 500mA$, $I_{MAX} = 1.5A$, $P_{MAX} = 20W$, unless otherwise specified)

Symbol	Parameter	Test conditions	Min	Typ.	Max	Unit
V_{REF}	Reference voltage	$V_i - V_o = 5V$ $I_o = 40mA$ to 500mA	1.2	1.25	1.3	V
V_O	Line regulation	$V_i - V_o = 3V$ to 40V $I_o = 500mA$			0.05	%/V
V_O	Load regulation	$V_i - V_o = 5V$ $I_o = 10mA$ to 1.5A			1.0	%
I_{ADJ}	Adjustment pin current	$V_i - V_o = 5V$ $I_o = 40mA$ to 500mA			100	μA
I_{ADJ}	Adjustment pin current	$V_i - V_o = 3V$ to 40V $I_o = 40mA$ to 500mA			5	μA
I_{ADJ}	Adjustment pin current	$V_i - V_o = 5V$ $I_o = 10mA$ to 1.5A			5	μA
S_{VR}	Ripple rejection	$V_o = 10V$; $I_o = 500mA$; $V_i - V_o = 5V$ $f = 100Hz$, $C_{ADJ} = 10 \mu F$	66			dB