

## GC70...R

### BAR CLAMP FOR HOCKEY PUK DEVICES

Clamping total thickness of assembly from  
26mm to 126mm

Pre-loaded to the specific clamping  
force (5 ÷ 12 kN)

Maximum device diameter: 57mm

Surface passivation to provide extra protection  
Hexagon head bolt partially  
threaded M8x1.25, UNI5737, 8.8 steel

Various lengths of bolts and insulators

Round shaped clamping head for optimal clamping  
force application

Four styles available

User friendly clamping force indicator  
UL94 certified insulation material

Parameter	Unit	Types	Testing conditions	Notes	Values			
					Min	Typ	Max	
Weight	g	GC70S...R			420		520	
		GC70B...R			590		730	
Clamping Force*	kN	GC70...05R				05		
		GC70...08R				08		
		GC70...10R					10	
		GC70...12R					12	
Clamping Force tolerance						± 10%		
Insulation Voltage	V <sub>RMS</sub>		1 min			3000		
Insulating Material				Noryl ® **				
UL File				E121562				
Max. working temperature	°C				-30		110	
Creepage distance:	mm					28		
Clearance distance:	mm					20.3		
Storage temperature	°C				-40		110	
Flammability	mm			UL94 V-1 Flame class rating		1.5		
	mm			UL94 V-0 Flame class rating		8.00		
	mm			CSA Flammability		1.00		

\* Other clamping forces available: contact factory

\*\* Noryl ® is a registered trade mark of General Electric

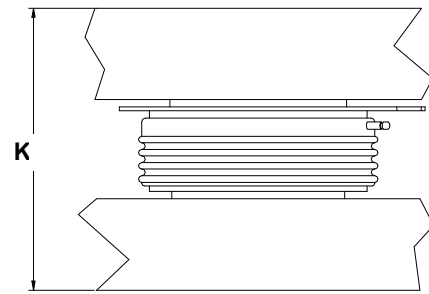


**ORDERING INFORMATION TABLE**

Clamps can be ordered using the following part numbering system

<b>GC70</b>	<b>B</b>	<b>N</b>	<b>B</b>	<b>A</b>	<b>10</b>	<b>R</b>	<b>S</b>
(1)	(2)	(3)	(4)	(5)	(6)		

<b>(1) Construction type:</b>	B = with double bar S = with single bar
<b>(2) Insulator position:</b>	N = upper side R = lower side
<b>(3) Insulator code:</b>	see table below
<b>(4) Bolt code:</b>	see table below
<b>(5) Clamping force (in kN):</b>	05 08 10 12
<b>(6) Special accessories</b>	blank = no accessories S = extra bar spacer D = pressure disc in place of pressure bar



K: Total thickness of the assembly to be clamped

 For thicknesses  $S'_{Min} < K < S_{Min}$  an additional 4mm thick bar spacer is needed (see list of special accessories)

**Type GC70BN...R: suggested insulator/bolt types**

Allowed clearance S			Insulator choice		Bolt choice		Max height
S' Min [mm]**	S Min [mm]	S Max [mm]	(3)	Ins. Length [mm]	(4)	Bolt Length [mm]	T [mm]
26	30	45	A	50	Z	100	110
36	40	55	A	50	A	110	120
46	50	65	B	70	B	120	130
56	60	75	B	70	C	130	140
66	70	85	C	95	D	140	150
76	80	95	C	95	E	150	160
86	90	105	C	95	F	160	170

\*\* with additional bar spacer only

**Type GC70BR...R: suggested insulator/bolt types**

Allowed clearance S			Insulator choice		Bolt choice		Max height
S' Min [mm]**	S Min [mm]	S Max [mm]	(3)	Ins. Length [mm]	(4)	Bolt Length [mm]	T [mm]
26	30	45	A	50	Z	100	123
36	40	55	A	50	A	110	133
46	50	65	B	70	B	120	143
56	60	75	B	70	C	130	153
66	70	85	B	70	D	140	163
76	80	95	C	95	E	150	173
86	90	105	C	95	F	160	183

\*\* with additional bar spacer only

**Type GC70SN...R: suggested insulator/bolt types**

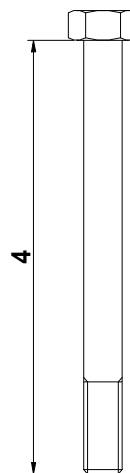
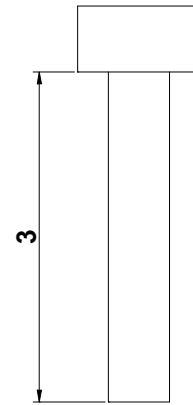
Allowed clearance S			Insulator choice		Bolt choice		Max height
S' Min [mm]**	S Min [mm]	S Max [mm]	(3)	Ins. Length [mm]	(4)	Bolt Length [mm]	T [mm]
35	39	54	A	50	Z	100	109.5
45	49	64	B	70	A	110	119.5
55	59	74	B	70	B	120	129.5
65	69	84	C	95	C	130	139.5
75	79	94	C	95	D	140	149.5
85	89	104	C	95	E	150	159.5
95	99	114	D	120	F	160	169.5

\*\* with additional bar spacer only

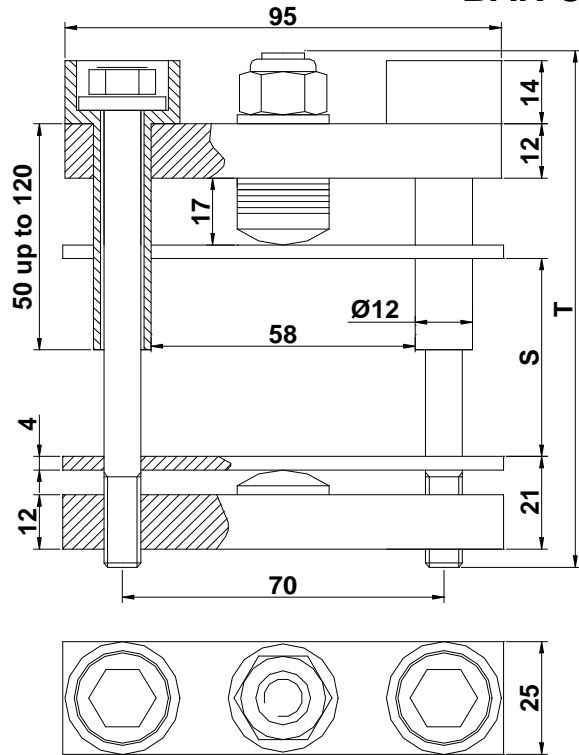
**Type GC70SR...R: suggested insulator/bolt types**

Allowed clearance S			Insulator choice		Bolt choice		Max height
S' Min [mm]**	S Min [mm]	S Max [mm]	(3)	Ins. Length [mm]	(4)	Bolt Length [mm]	T [mm]
47	51	66	B	70	Z	100	123
57	61	76	B	70	A	110	133
67	71	86	B	70	B	120	143
77	81	96	C	95	C	130	153
87	91	106	C	95	D	140	163
97	101	116	D	120	E	150	173
107	111	126	D	120	F	160	183

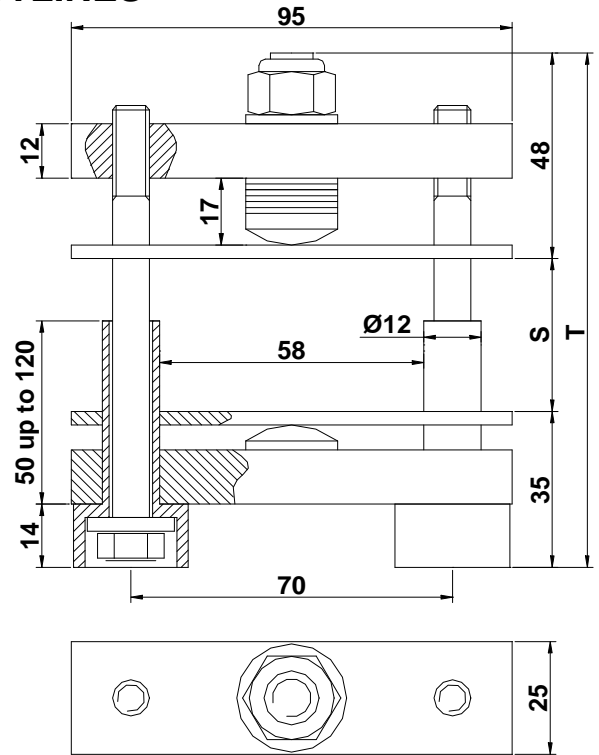
\*\* with additional bar spacer only



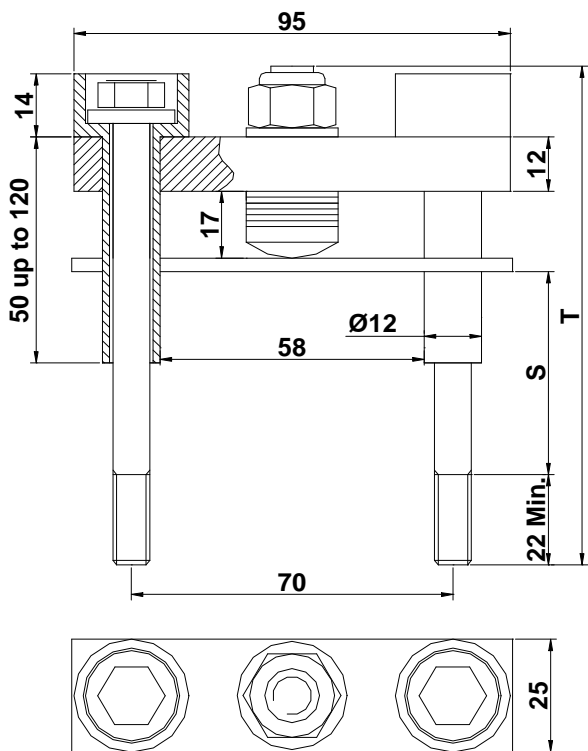
BAR CLAMP OUTLINES



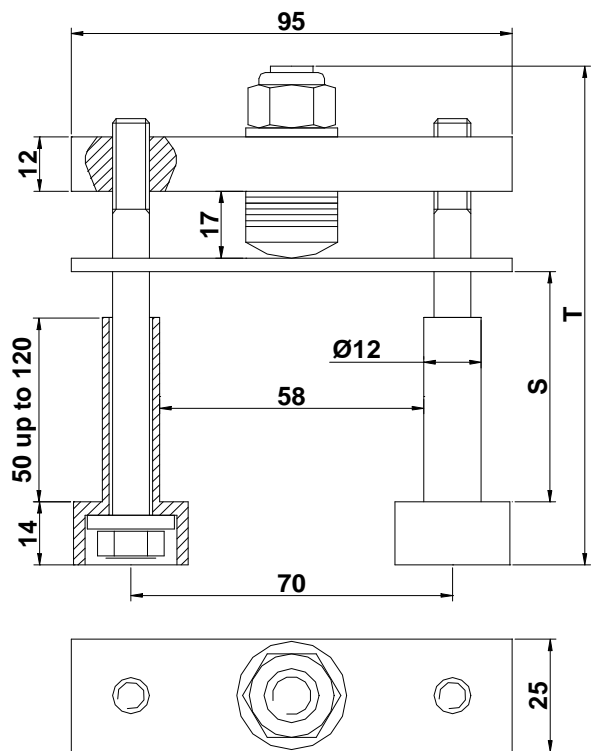
GC70BN...R



GC70BR...R

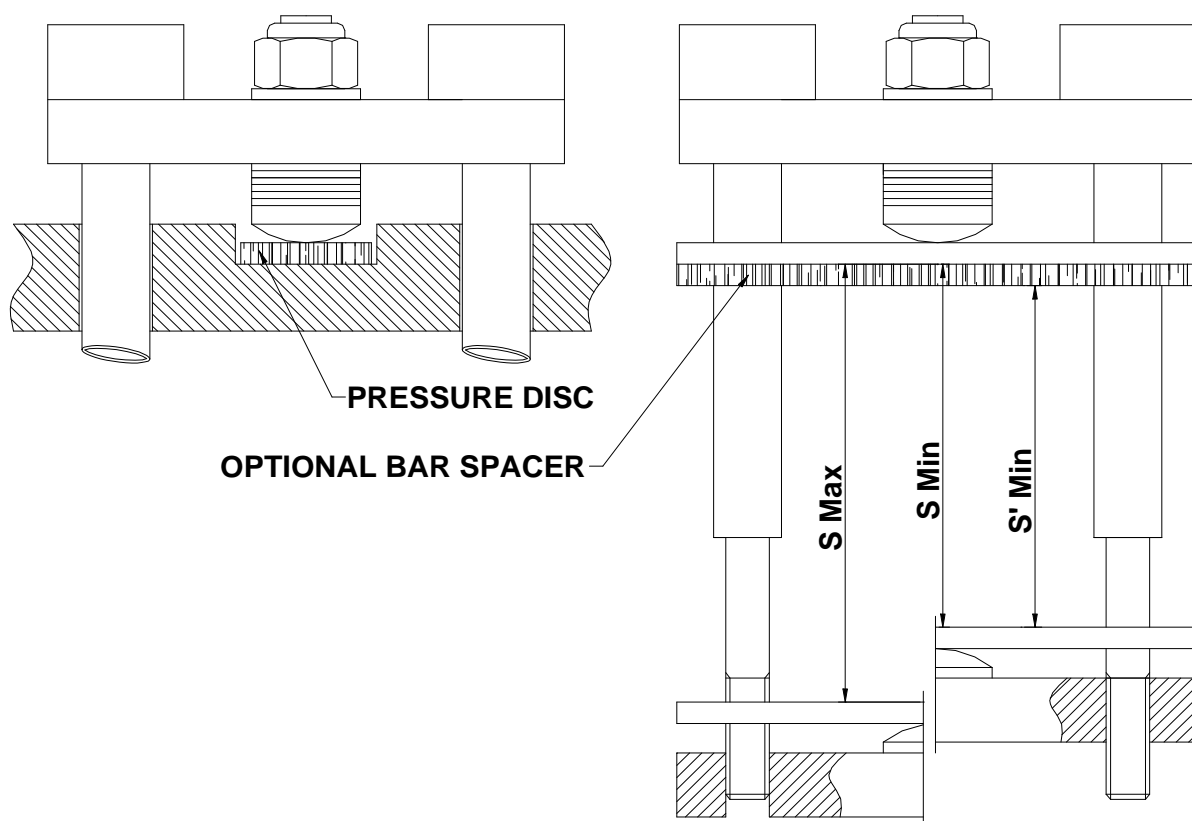


GC70SN...R



GC70SR...R

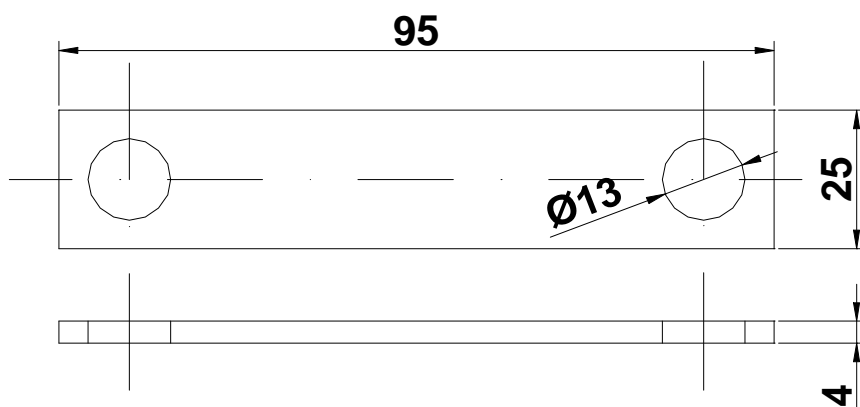
Dimensions in mm - Tolerances according to ISO 2768 MK



**SPECIAL ACCESSORIES**

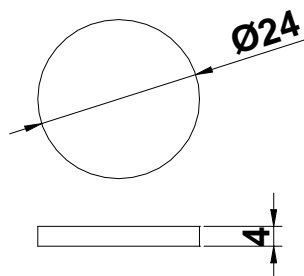
The following special accessories are available on request (see ordering information table)

**Bar spacer**



**Pressure disc**

Suggested groove diameter 27mm +/- 0.5



**Dimensions in mm - Tolerances according to ISO 2768 MK**

In the interest of product improvement Green Power Solutions reserves the right to change any specification given in this data sheet without notice.