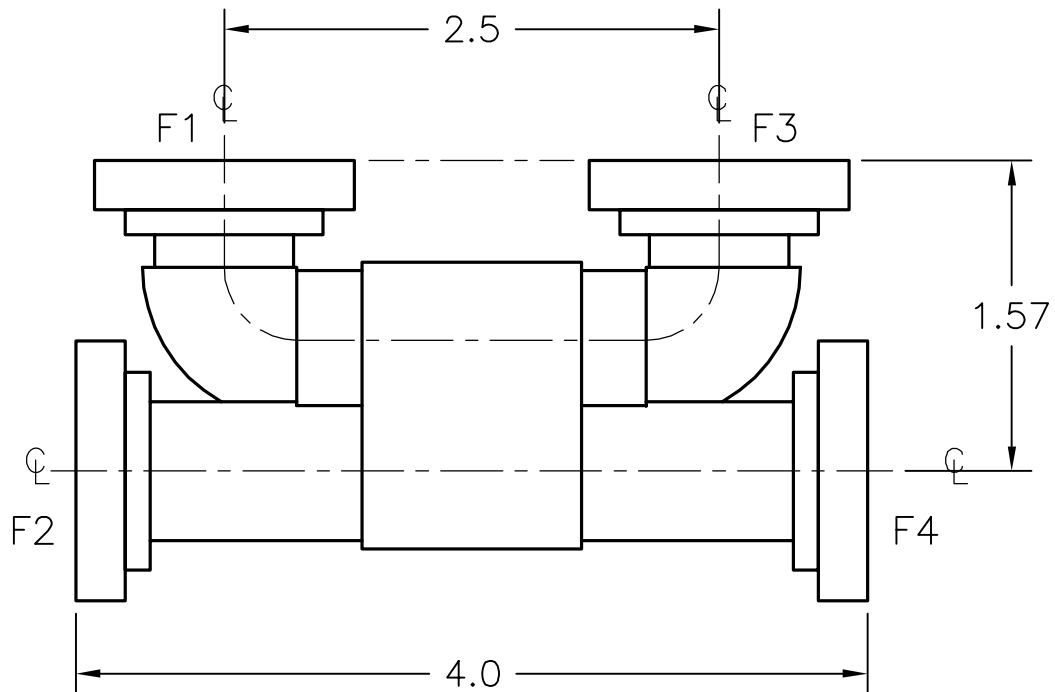

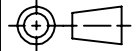


REV. A	DATE 10/14/02	INITIAL RELEASE	APPROVED
B	5/11/04	CORRECTED FREQ. NOTES	
C	5/11/04	CORRECTED TOLERANCES	



FLANGE TYPE
6 = UG COVER
7 = UG CHOKE
8 = SPEC

FREQUENCY	MODEL
12.4-14.0 GHz	62-261A-Z-X-X-X-X
13.5-15.6 GHz	62-262A-Z-X-X-X-X
15.5-18.0 GHz	62-263A-Z-X-X-X-X

MATERIAL	WR62 ALUM.	TREATMENT	AFTER ASSY	DRAWN	J. EAGAN	DATE	10/14/02		
FINISH	AFTER ASSY	MOD. NO.	62-26xA-Z-X-X-X-X	CHECKED		DATE			
WR62 COMBINER-DIVIDER HYBRID SHORT SLOT OUTLINE DWG				APPROVED		DATE			
				CAGE CODE: ORBN4		DO NOT SCALE DWG			
ADVANCED TECHNICAL MATERIALS, INC. 49 RIDER AVE., PATCHOGUE N.Y. 11772 TEL: (631) 289-0363 FAX: (631) 289-0358 http://www.atmmicrowave.com				UNLESS OTHERWISE NOTED DIMENSIONS ARE IN INCHES		FRACTIONS	DECIMALS	ANGLES	SHEET.
 PROPRIETARY NOTICE: THE INFORMATION IN THIS DRAWING IS PROPRIETARY AND SHALL NOT BE USED OR DISCLOSED WITHOUT THE PRIOR WRITTEN CONSENT OF ATM, INC.				TOLERANCES ARE:		±1/64	±.01	±1/2°	1/1
						SCALE	1/1	DWG. NO.	5227W