

Silicon NPN Power Transistors

2SC2970

DESCRIPTION

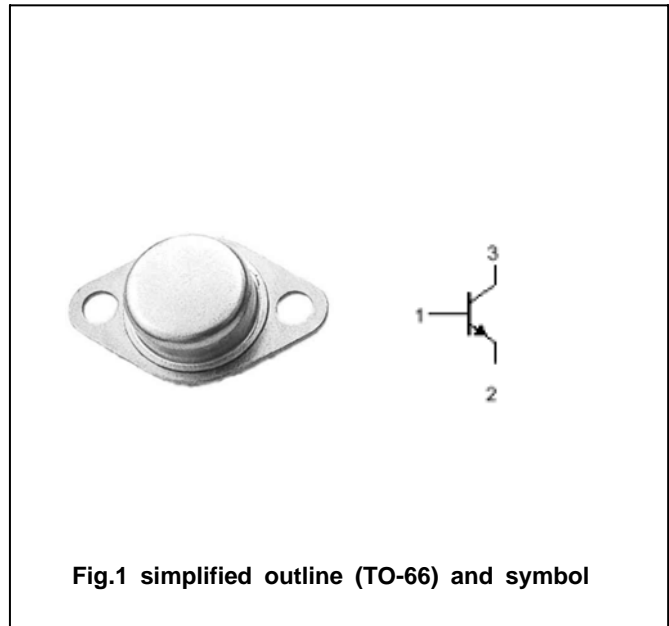
- With TO-66 package
- High voltage, high speed
- Low saturation voltage

APPLICATIONS

- For switching applications

PINNING (See Fig.2)

PIN	DESCRIPTION
1	Base
2	Emitter
3	Collector

ABSOLUTE MAXIMUM RATINGS($T_a=25^{\circ}\text{C}$)

SYMBOL	PARAMETER	CONDITIONS	VALUE	UNIT
V_{CBO}	Collector-base voltage	Open emitter	300	V
V_{CEO}	Collector-emitter voltage	Open base	200	V
V_{EBO}	Emitter-base voltage	Open collector	7	V
I_C	Collector current		5	A
P_T	Total power dissipation	$T_C=25^{\circ}\text{C}$	40	W
T_j	Junction temperature		175	$^{\circ}\text{C}$
T_{stg}	Storage temperature		-55~175	$^{\circ}\text{C}$

Silicon NPN Power Transistors

2SC2970

CHARACTERISTICS

T_j=25°C unless otherwise specified

SYMBOL	PARAMETER	CONDITIONS	MIN	TYP.	MAX	UNIT
V _{(BR)CEO}	Collector-emitter breakdown voltage	I _C =50mA ; I _B =0	200			V
V _{(BR)CBO}	Collector-base breakdown voltage	I _C =1mA ; I _E =0	300			V
V _{(BR)EBO}	Emitter-base breakdown voltage	I _E =1mA ; I _C =0	7			V
V _{CEsat}	Collector-emitter saturation voltage	I _C =4A; I _B =0.4A			1.0	V
V _{BEsat}	Base-emitter saturation voltage	I _C =4A; I _B =0.4A			1.5	V
I _{CBO}	Collector cut-off current	V _{CB} =300V ; I _E =0			100	μ A
I _{EBO}	Emitter cut-off current	V _{EB} =7V; I _C =0			100	μ A
h _{FE}	DC current gain	I _C =2A ; V _{CE} =5V	15			

PACKAGE OUTLINE

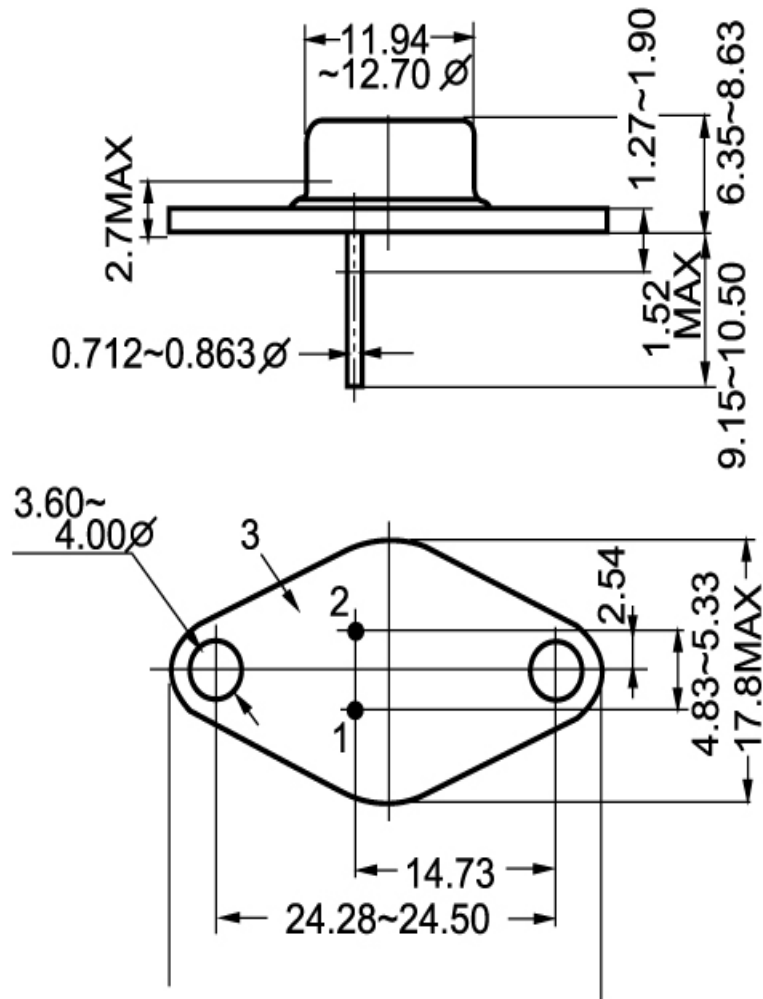


Fig.2 Outline dimensions