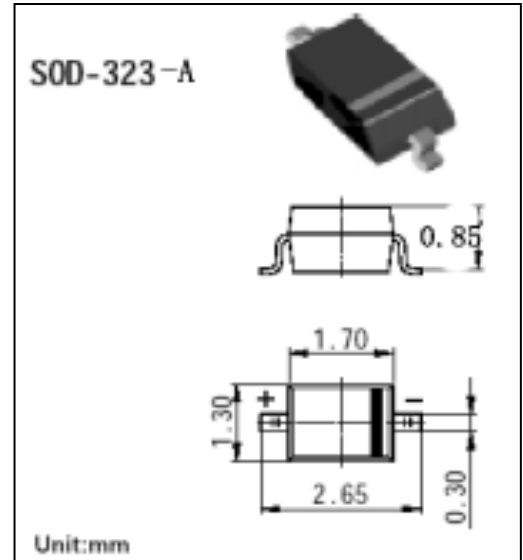


RB751V-40 Schottky Diodes

FEATURES

- High current rectifier Schottky diode
- Low voltage, low inductance
- For power supply

MAKING: 5



Maximum Ratings and Electrical Characteristics, Single Diode @T_A=25°C

Parameter	Symbol	Limits	Unit
Peak reverse voltage	V _{RM}	40	V
DC reverse voltage	V _R	30	V
Mean rectifying current	I _O	0.03	A
Peak forward surge current	I _{FSM}	0.2	A
Junction temperature	T _j	125	°C
Storage temperature	T _{stg}	-40~+125	°C

Electrical Ratings @T_A=25°C

Parameter	Symbol	Min.	Typ.	Max.	Unit	Conditions
Forward voltage	V _F			0.37	V	I _F =1mA
Reverse current	I _R			0.5	μA	V _R =30V
Capacitance between terminals	C _T		2		pF	V _R =1V, f=1MHZ