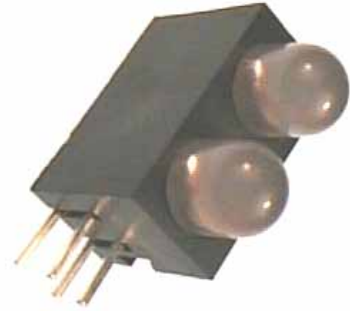


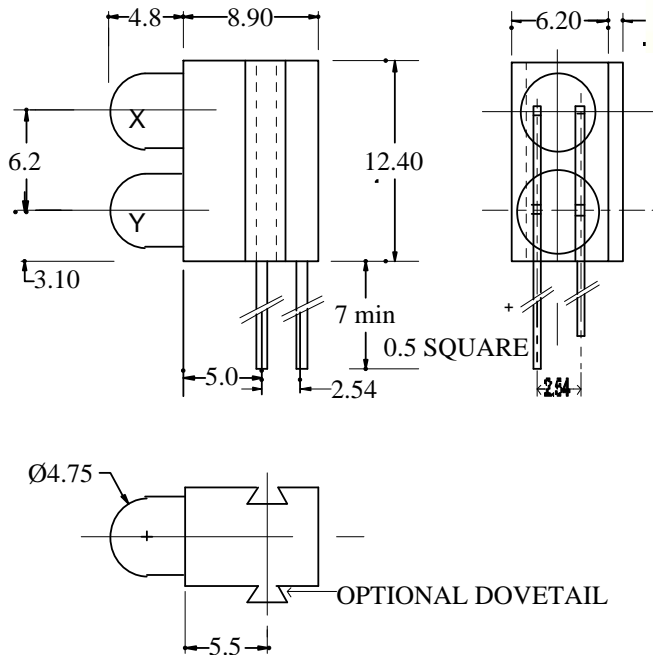
PCTL160 SERIES DUAL 5mm LED MOUNT

The PCTL160 is a dual 5mm LED assembly for PCB mounting and a direct equivalent to the MarL PCTL160. The black NYLON 6 housing is VO rated and is available with or without a dovetail interlock.

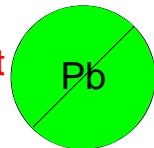
- Red, Yellow, Green and Red/Green Bi-colour available.
- Single or Dual led.
- Unique interlock for higher level assembly cost saving.
- Non standard polarities and LED's



MECHANICAL DATA



This component is RoHS compliant

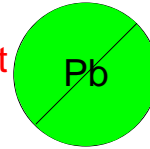


ORDERING INFORMATION

To define colour and position order as follows:-

- | | | | |
|-------------------|---|-------------------------|-----------------------------------|
| PCTL160XY | - | X = Top Position | |
| | | Y = Bottom Position | |
| For colour X or Y | - | R = Red | Y = Yellow |
| | | H = High Efficiency Red | BC = Orange/Green Bi-colour |
| | | O = Orange | B = Blank |
| | | G = Green | For dual Bi-colour use 160BC only |

This component is RoHS compliant



PCTL160

ABSOLUTE MAXIMUM RATINGS (T_A = 25°C)

PARAMETER	Red	Hi-Eff Red	Green	Orange	Yellow	Bi-Colour
Power Dissipation	80mW	40mW	100mW	100mW	60mW	100mW
Peak Forward Current (1/10 Duty Cycle, 0.1ms Pulse Width)	200mA	60mA	120mA	120mA	80mA	10mA
Continuous Forward Current	40mA	15mA	30mA	30mA	20mA	30mA
Derating Linear From 25°C	0.5mA/°C	0.2mA/°C	0.4mA/°C	0.4mA/°C	0.25mA/°C	0.4mA/°C
Reverse Voltage	5V	5V	5V	5V	5V	5V
Operating Voltage	-55 to +100°C					
Storage Temperature	-55 to +100°C					
Lead Soldering Temp (1.6mm from body)	260°C for 5sec					

OPTO ELECTRONIC DATA

COLOUR		Luminous Intensity [If=10mA] mcd	Viewing Angle deg	Peak Wavelength nm	Forward Voltage [If = 20mA] Volts	Reverse Current [Vr = 5V] mA
Red	Min	0.3	60	655	-	100
	Typ	0.8			1.7	
	Max					
Hi-Eff Red	Min	1.7	60	635	-	100
	Typ	5.6			2.0	
	Max					
Orange	Min	1.7	60	630	-	100
	Typ	5.6			2.0	
	Max					
Orange	Min	2.2	200	630	-	100
	Typ	4.8			-	
	Max	-			2.8	
Bi-Colour	Min	2.2	200	565	-	100
	Typ	4.8			-	
	Max					
Green	Min	1.7	60	565	-	100
	Typ	5.6			2.1	
	Max					
Yellow	Min	1.7	70	585	-	100
	Typ	12.6			2.1	
	Max					

BEDFORD OPTO TECHNOLOGY LTD
1,BIGGAR BUSINESS PARK, BIGGAR, ML12 6FX
 Tel: +44 (0) 1899 221221 Fax: +44 (0) 1899 221009
 Website: bot.co.uk E-mail: bill@bot.co.uk