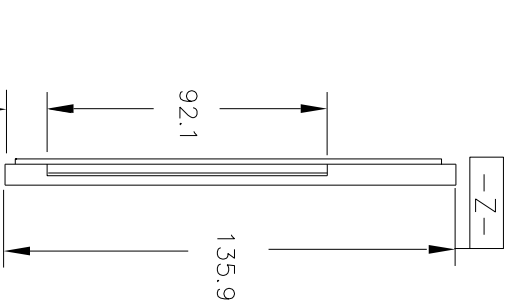
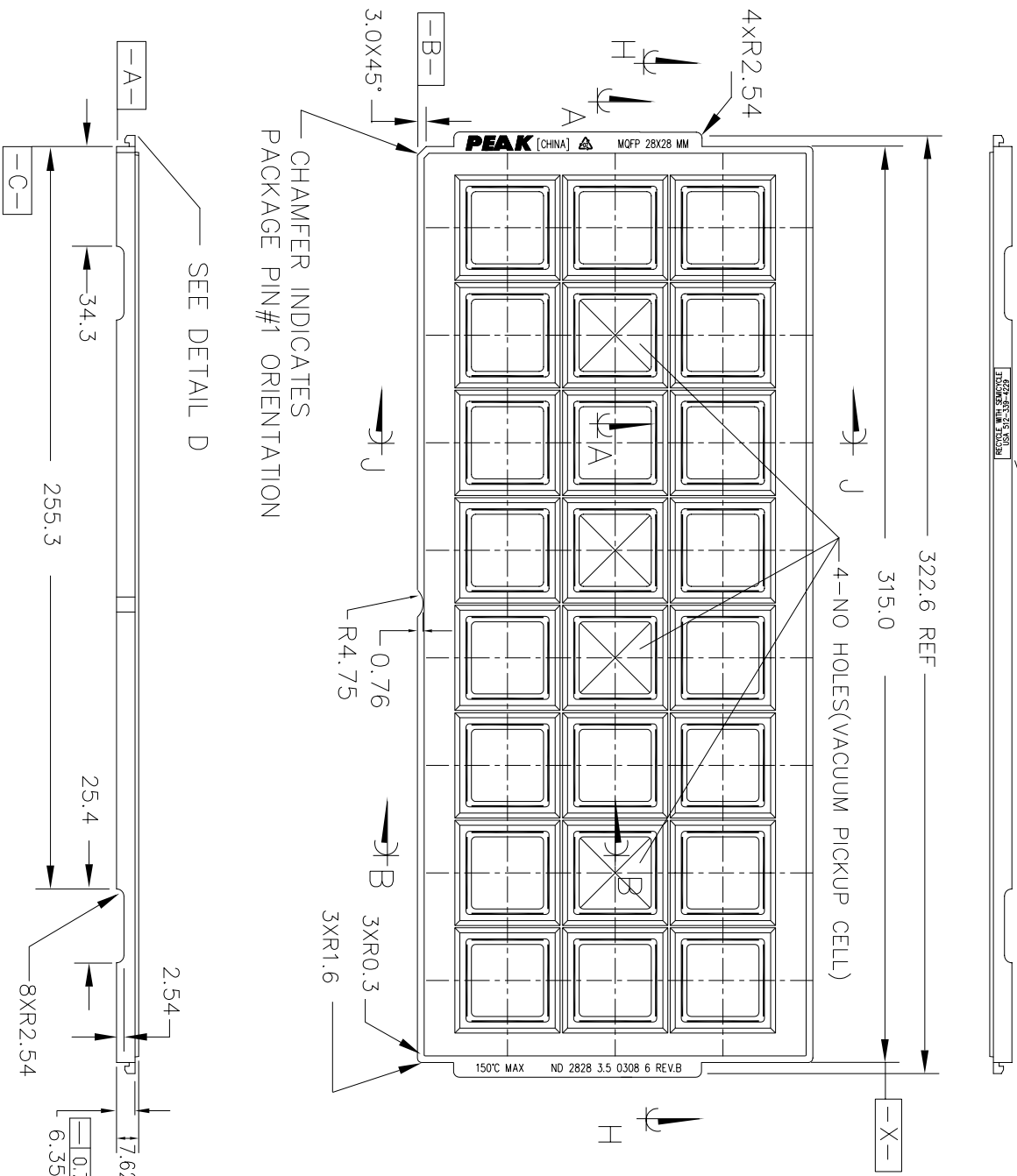


RECYCLE WITH SEMICYCLE
USA 512-339-4229



CHAMFER INDICATES
PACKAGE PIN#1 ORIENTATION

SEE DETAIL D

- NOTES :
1. MATERIAL – PP6.
 2. ALL DIMENSIONS ARE IN MILLIMETERS.
 3. TOLERANCES – X.X=±0.25
– X.XX=±0.13
UNLESS OTHERWISE SPECIFIED.
 4. ESD – SURFACE RESISTIVITY
– 10⁶ TO 10¹⁰ OHMS/SQ.
 5. FOR PACKAGE – 3.5 MM THICKNESS.
 6. PART NO. : ND 2828 3.5 0308 6 REV.B
(PLEASE INDICATE ON PURCHASE ORDER).

| | | | | |
|---------|---------|--------------------------------|-----------|-------------|
| 10 | P-00658 | CHANGE POSITION TOL | 7 OCT 97 | M.S.KHOO |
| 9 | P-00446 | CHANGE "LOW TEMP" TO "75C MAX" | 14 JAN 95 | M.S.KHOO |
| 8 | P-00419 | CHANGE RIDGE HEIGHT DIM | 20 DEC 94 | M.S.KHOO |
| 7 | P-00385 | CHANGE LOWER RIDGE INTL TOL | 4 OCT 94 | M.S.KHOO |
| 6 | P-00357 | ADD IN MATERIAL | 29 AUG 94 | M.S.KHOO |
| 5 | P-00316 | ADD RIBS & CHANGE WORDINGS | 16 MAY 94 | M.S.KHOO |
| REV.NO. | ECN # | DESCRIPTION | DATE | APPROVED BY |

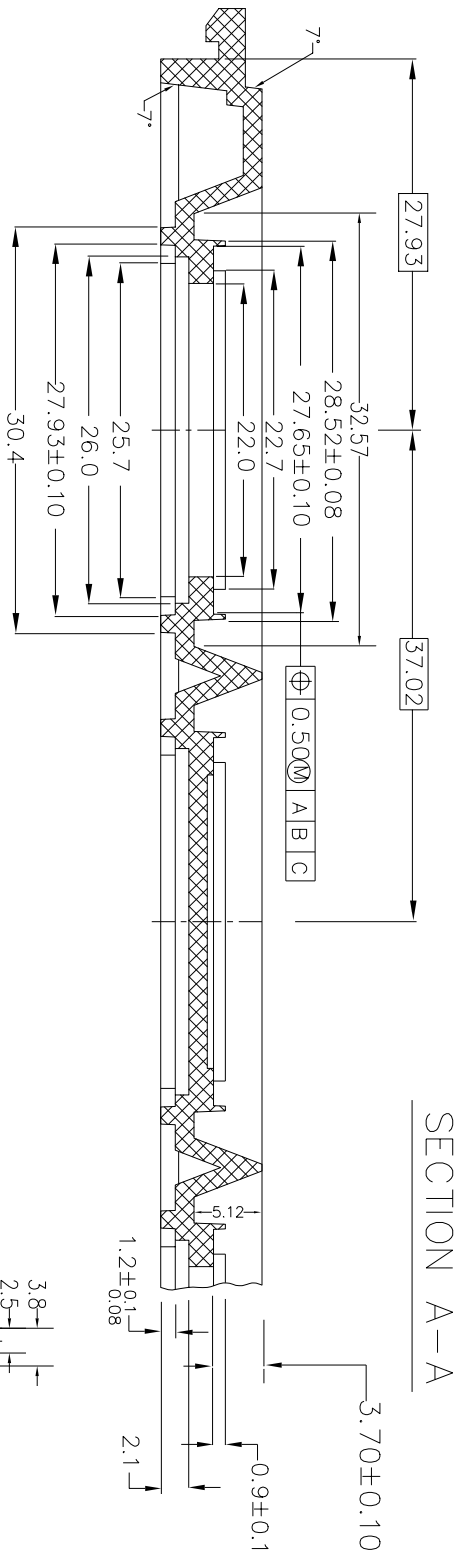
THIS DOCUMENT CONTAINS INFORMATION PROPRIETARY TO PEAK PLASTIC & METAL PRODUCTS (INTERNATIONAL) LIMITED. REPRODUCTION DISCLOSURE OR USE OF THIS DOCUMENT IS EXPRESSLY PROHIBITED EXCEPT OTHERWISE AGREED UPON IN WRITING.

DRAWN BY : Qifang
CHECKED BY :
APPROVED BY :
APPROVED BY :
DO NOT SCALE DRAWING

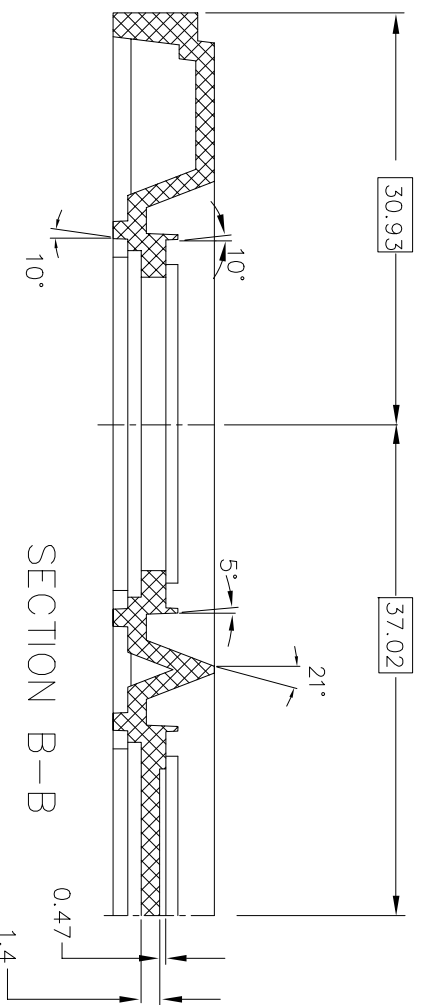
PAGE 1 OF 2
DATE : 7 OCT 97
DATE : 7 OCT 97
DATE : 7 OCT 97
CODE : CSA00656

PEAK PLASTIC & METAL PRODUCTS
(INTERNATIONAL) LTD.
UNIT 4, 5 & 7, 37/F, WAIHAP CABLE TOWER,
9 HOI SHING ROAD, TSUN WAN, N.T.
HONG KONG

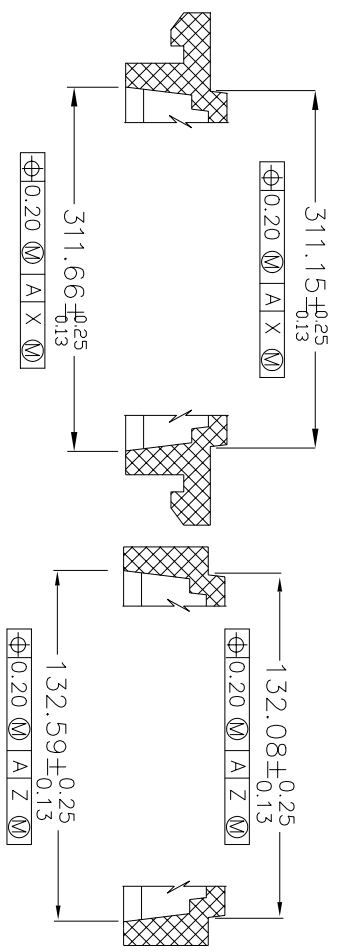
CUSTOMER : **PEAK**
TITLE : ND 2828 3.5 0308 6 REV.B
DWG NO. : ND 2828 3.5 0308 6 REV.B
REV. 10



SECTION A-A



SECTION B-B



SECTION H-H

SECTION J-J

| | | | | |
|----------|---------|--------------------------------|-----------|-------------|
| 10 | P-00658 | CHANGE POSITION TOL | 7 OCT 97 | M.S.K.HOO |
| 9 | P-00446 | CHANGE "LOW TEMP" TO "75C MAX" | 14 JAN 95 | M.S.K.HOO |
| 8 | P-00419 | CHANGE RIDGE HEIGHT DIM | 20 DEC 94 | M.S.K.HOO |
| 7 | P-00385 | CHANGE LOWER RIDGE INTL TOL | 4 OCT 94 | M.S.K.HOO |
| 6 | P-00357 | ADD IN MATERIAL | 29 AUG 94 | M.S.K.HOO |
| 5 | P-00316 | ADD RIBS & CHANGE WORDINGS | 16 MAY 94 | M.S.K.HOO |
| REV. NO. | ECN # | DESCRIPTION | DATE | APPROVED BY |

THIS DOCUMENT CONTAINS INFORMATION PROPRIETARY TO PEAK PLASTIC & METAL PRODUCTS (INTERNATIONAL) LIMITED. REPRODUCTION DISCLOSURE OR USE OF THIS DOCUMENT IS EXPRESSLY PROHIBITED EXCEPT OTHERWISE AGREED UPON IN WRITING.

| | | | |
|----------------------|--------|--------|----------|
| DRAWN BY : | Qifang | PAGE | 2 OF 2 |
| CHECKED BY : | | DATE : | 7 OCT 97 |
| APPROVED BY : | | DATE : | 7 OCT 97 |
| APPROVED BY : | | DATE : | 7 OCT 97 |
| DO NOT SCALE DRAWING | | CODE : | CSA00656 |

PEAK

PEAK PLASTIC & METAL PRODUCTS
(INTERNATIONAL) LTD.
UNIT 4, 5 & 7, 37/F, WHARF CABLE TOWER,
9 HOI SHING ROAD, TSUNN WAN, N.T.
HONG KONG

| | |
|------------|--------------------------|
| CUSTOMER : | PEAK |
| TITLE : | ND 2828 3.5 0308 6 REV.B |
| DWG NO. : | ND 2828 3.5 0308 6 REV.B |
| REV. | 10 |