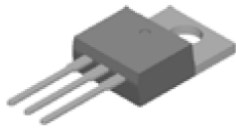


1A Positive Voltage Regulator

General Description

- The TCI LM78xxAT family is monolithic fixed voltage regulator integrated circuit. They are suitable for applications that required supply current up to 1A.
- The LM78xxAT is available in TO-220 package.



TO-220



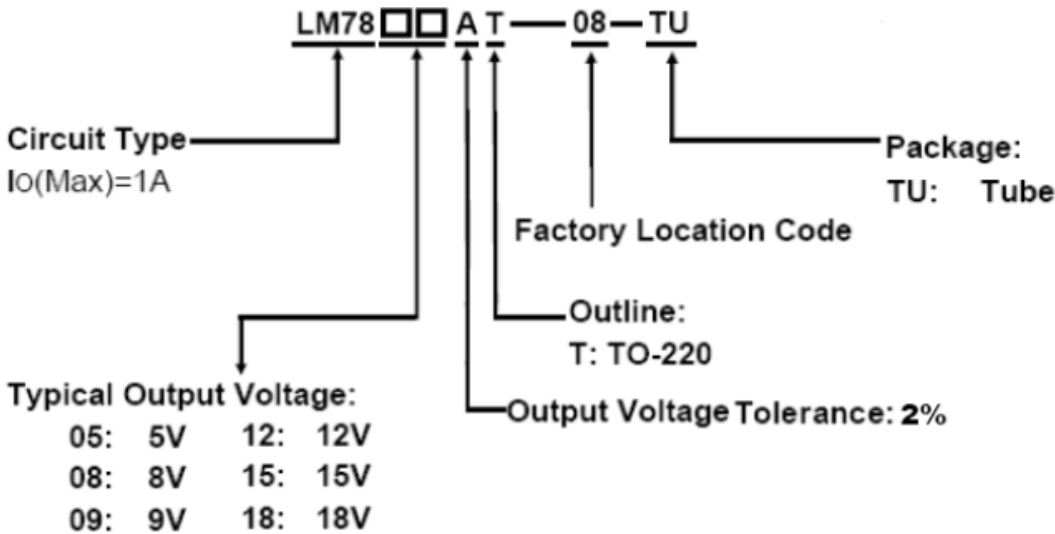
Features

- Output Current up to 1A
- Fixed Output Voltage of 5V, 8V, 9V, 12V, 15V, 18V Available
- Thermal Overload Shutdown Protection
- Short Circuit Current Limiting
- Output Transistor SOA Protection
- RoHS Compliance

Applications

- High Efficiency Linear Regulator
- Post Regulation for Switching Supply
- Microprocessor Power Supply
- Mother Board

Ordering Information



1A Positive Voltage Regulator

LM78xxAT

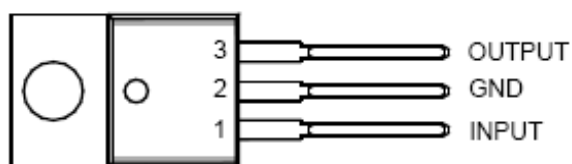
Marking Information

Outline	Temperature Range	PN	Marking Code	Package Type
TO-220	-40 to 125°C	LM7805AT	AS7805AT-E1	Tube
		LM7808AT	AS7808AT-E1	
		LM7809AT	AS7809AT-E1	
		LM7812AT	AS7812AT-E1	
		LM7815AT	AS7815AT-E1	
		LM7818AT	AS7818AT-E1	

Packing Information

Package Type	Units/Tube	Tubes/Inner Box	Units/Inner Box	Inner Boxes /Outer Box
TO-220	50	20	1000	5

Pin Configuration

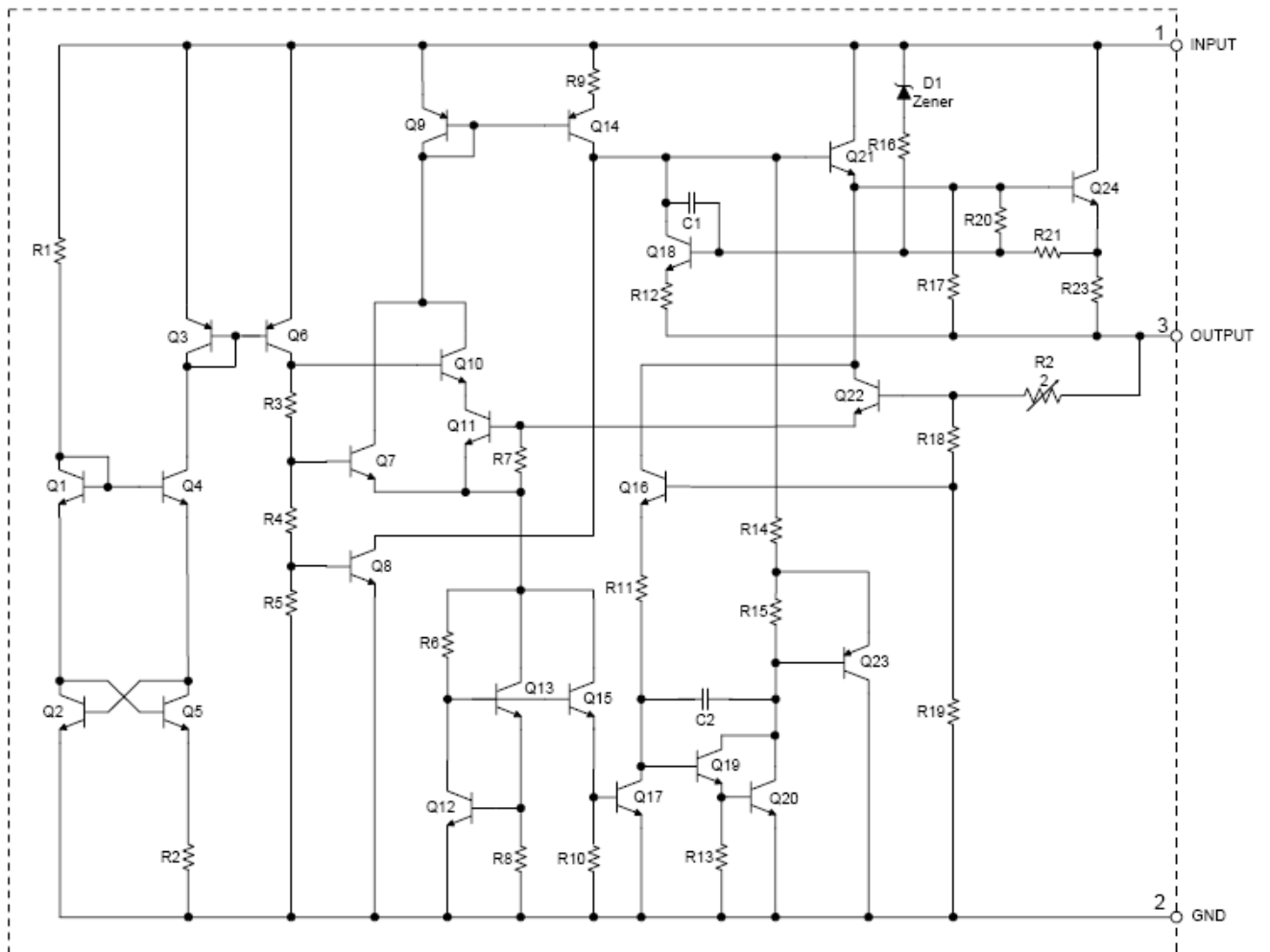


Outline: TO-220

1A Positive Voltage Regulator

LM78xxAT

Functional Block Diagram



1A Positive Voltage Regulator

LM78xxAT

Absolute Maximum Ratings (Note 1)

Symbol	Description	Ratings	Unit
V _{IN}	Input Voltage	36	V
I _{OUT}	Output Current	1	A
T _{LEAD}	Lead Temperature (Soldering 10sec)	260	° C
P _D	Power Dissipation	Internally Limited	W
T _J	Junction Temperature	150	° C
T _{STG}	Storage Temperature Range	-65 to 150	° C
θ _{JA}	Thermal Resistance	60	° C/W
ESD	ESD (Human Body Model)	6000	V
ESD	ESD (Machine Model)	500	V

Note: 1. Stresses greater than those listed under “Absolute Maximum Ratings” may cause permanent damage to the device. These are stress ratings only, and functional operation of the device at these or any other conditions beyond those indicated under “Recommended Operating Conditions” is not implied. Exposure to “Absolute Maximum Ratings” for extended periods may affect device reliability.

Recommended Operating Conditions

Symbol	Description	Ratings		Unit	
		Min.	Max.		
V _{IN}	Input Voltage	LM7805AT	-	25	V
		LM7808AT	-	28	
		LM7809AT	-	29	
		LM7812AT	-	32	
		LM7815AT	-	32	
		LM7818AT	-	32	
T _J	Operating Junction Temperature Range	-40	125	° C	

1A Positive Voltage Regulator

LM78xxAT

Electrical Characteristics

For LM7805AT ($V_{IN}=10V$, $I_{OUT}=1A$, $T_J=-40$ to $125^\circ C$, unless otherwise specified)

Symbol	Description	LM7805AT			Unit	Test Conditions
		Min.	Typ.	Max.		
V_{OUT}	Output Voltage	4.9	5.0	5.1	V	$T_J=25^\circ C$
		4.8	-	5.2		$V_{IN}=7.5V$ to $20V$, $I_{OUT}=5mA$ to $1A$, $P_D \leq 15W$
V_{RLINE}	Line Regulation	-	25	50	mV	$V_{IN}=7.5V$ to $20V$, $I_{OUT}=500mA$, $T_J=25^\circ C$
V_{RLOAD}	Load Regulation	-	20	50	mV	$V_{IN}=10V$, $I_{OUT}=5mA$ to $1A$, $T_J=25^\circ C$
I_Q	Quiescent Current	-	3.2	6.0	mA	$V_{IN}=10V$, $I_{OUT}=0$
ΔI_Q	Quiescent Current Change	-	0.3	0.8	mA	$V_{IN}=8V$ to $25V$, $I_{OUT}=500mA$, $T_J=25^\circ C$
		-	0.08	0.5		$I_{OUT}=5mA$ to $1A$, $T_J=25^\circ C$
$PSRR$	Ripple Rejection	-	70	-	dB	$V_{IN}=8V$ to $18V$, $f=120Hz$, $I_{OUT}=500mA$
V_{DROP}	Dropout Voltage	-	2.0	-	V	$\Delta V_{OUT}=1\%$, $I_{OUT}=1A$, $T_J=25^\circ C$
N_o	Output Noise Voltage	-	10	-	$\mu V/V_o$	$f=10Hz$ to $100kHz$, $T_A=25^\circ C$
R_o	Output Resistance	-	10	-	m Ω	$f=1kHz$
I_{SC}	Short Circuit Current	-	0.05	-	A	$V_{IN}=35V$, $T_A=25^\circ C$
I_{PK}	Peak Output Current	-	2.2	-	A	$V_{IN}=10V$, $T_J=25^\circ C$
$\Delta V_{OUT}/\Delta T$	Output Voltage Temperature Coefficient	-	0.4	-	mV/ $^\circ C$	
$(\Delta V_{OUT}/V_{OUT})/\Delta T$		-	80	-	ppm/ $^\circ C$	

1A Positive Voltage Regulator

LM78xxAT

For LM7808AT ($V_{IN}=14V$, $I_{OUT}=1A$, $T_J=-40$ to $125^\circ C$, unless otherwise specified)

Symbol	Description	LM7808AT			Unit	Test Conditions
		Min.	Typ.	Max.		
V_{OUT}	Output Voltage	7.84	8	8.16	V	$T_J=25^\circ C$
		7.7	-	8.3		$V_{IN}=10.6V$ to $23V$, $I_{OUT}=5mA$ to $1A$, $P_D \leq 15W$
V_{RLINE}	Line Regulation	-	25	75	mV	$V_{IN}=10.6V$ to $23V$, $I_{OUT}=500mA$, $T_J=25^\circ C$
V_{RLOAD}	Load Regulation	-	25	75	mV	$V_{IN}=14V$, $I_{OUT}=5mA$ to $1A$, $T_J=25^\circ C$
I_Q	Quiescent Current	-	3.2	6.0	mA	$V_{IN}=14V$, $I_{OUT}=0$
ΔI_Q	Quiescent Current Change	-	0.3	0.8	mA	$V_{IN}=10.6V$ to $23V$, $I_{OUT}=500mA$, $T_J=25^\circ C$
		-	0.08	0.5		$I_{OUT}=5mA$ to $1A$, $T_J=25^\circ C$
$PSRR$	Ripple Rejection	-	62	-	dB	$V_{IN}=11.5V$ to $21.5V$, $f=120Hz$, $I_{OUT}=500mA$
V_{DROP}	Dropout Voltage	-	2.0	-	V	$\Delta V_{OUT}=1\%$, $I_{OUT}=1A$, $T_J=25^\circ C$
N_o	Output Noise Voltage	-	10	-	$\mu V/V_o$	$f=10Hz$ to $100kHz$, $T_A=25^\circ C$
R_o	Output Resistance	-	10	-	m Ω	$f=1kHz$
I_{SC}	Short Circuit Current	-	0.2	-	A	$V_{IN}=35V$, $T_A=25^\circ C$
I_{PK}	Peak Output Current	-	2.2	-	A	$V_{IN}=14V$, $T_J=25^\circ C$
$\Delta V_{OUT}/\Delta T$	Output Voltage Temperature Coefficient	-	0.64	-	mV/ $^\circ C$	
$(\Delta V_{OUT}/\Delta V_{OUT})/\Delta T$		-	80	-	ppm/ $^\circ C$	

1A Positive Voltage Regulator

LM78xxAT

For LM7809AT ($V_{IN}=15V$, $I_{OUT}=1A$, $T_J=-40$ to $125^\circ C$, unless otherwise specified)

Symbol	Description	LM7809AT			Unit	Test Conditions
		Min.	Typ.	Max.		
V_{OUT}	Output Voltage	8.82	9	9.18	V	$T_J=25^\circ C$
		8.65	-	9.35		$V_{IN}=11.5V$ to $23V$, $I_{OUT}=5mA$ to $1A$, $P_D \leq 15W$
V_{RLINE}	Line Regulation	-	25	90	mV	$V_{IN}=11.5V$ to $23V$, $I_{OUT}=500mA$, $T_J=25^\circ C$
V_{RLOAD}	Load Regulation	-	25	100	mV	$V_{IN}=14V$, $I_{OUT}=5mA$ to $1A$, $T_J=25^\circ C$
I_Q	Quiescent Current	-	3.2	6.0	mA	$V_{IN}=15V$, $I_{OUT}=0$
ΔI_Q	Quiescent Current Change	-	0.3	0.8	mA	$V_{IN}=11.5V$ to $23V$, $I_{OUT}=500mA$, $T_J=25^\circ C$
		-	0.08	0.5		$I_{OUT}=5mA$ to $1A$, $T_J=25^\circ C$
$PSRR$	Ripple Rejection	-	61	-	dB	$V_{IN}=11.5V$ to $21.5V$, $f=120Hz$, $I_{OUT}=500mA$
V_{DROP}	Dropout Voltage	-	2.0	-	V	$\Delta V_{OUT}=1\%$, $I_{OUT}=1A$, $T_J=25^\circ C$
N_o	Output Noise Voltage	-	10	-	$\mu V/V_o$	$f=10Hz$ to $100kHz$, $T_A=25^\circ C$
R_o	Output Resistance	-	10	-	m Ω	$f=1kHz$
I_{SC}	Short Circuit Current	-	0.2	-	A	$V_{IN}=35V$, $T_A=25^\circ C$
I_{PK}	Peak Output Current	-	2.2	-	A	$V_{IN}=15V$, $T_J=25^\circ C$
$\Delta V_{OUT}/\Delta T$	Output Voltage Temperature Coefficient	-	0.72	-	mV/ $^\circ C$	
$(\Delta V_{OUT}/\Delta V_{OUT})/\Delta T$		-	80	-	ppm/ $^\circ C$	

1A Positive Voltage Regulator

LM78xxAT

For LM7812AT ($V_{IN}=19V$, $I_{OUT}=1A$, $T_J=-40$ to $125^\circ C$, unless otherwise specified)

Symbol	Description	LM7812AT			Unit	Test Conditions
		Min.	Typ.	Max.		
V_{OUT}	Output Voltage	11.75	12	12.25	V	$T_J=25^\circ C$
		11.5	-	12.5		$V_{IN}=14.8V$ to $27V$, $I_{OUT}=5mA$ to $1A$, $P_D \leq 15W$
V_{RLINE}	Line Regulation	-	25	120	mV	$V_{IN}=14.8V$ to $27V$, $I_{OUT}=500mA$, $T_J=25^\circ C$
V_{RLOAD}	Load Regulation	-	40	120	mV	$V_{IN}=19V$, $I_{OUT}=5mA$ to $1A$, $T_J=25^\circ C$
I_Q	Quiescent Current	-	3.4	6.0	mA	$V_{IN}=19V$, $I_{OUT}=0$
ΔI_Q	Quiescent Current Change	-	0.3	0.8	mA	$V_{IN}=14.8V$ to $30V$, $I_{OUT}=500mA$, $T_J=25^\circ C$
		-	0.08	0.5		$I_{OUT}=5mA$ to $1A$, $T_J=25^\circ C$
$PSRR$	Ripple Rejection	-	60	-	dB	$V_{IN}=15V$ to $25V$, $f=120Hz$, $I_{OUT}=500mA$
V_{DROP}	Dropout Voltage	-	2.0	-	V	$\Delta V_{OUT}=1\%$, $I_{OUT}=1A$, $T_J=25^\circ C$
N_o	Output Noise Voltage	-	10	-	$\mu V/V_o$	$f=10Hz$ to $100kHz$, $T_A=25^\circ C$
R_o	Output Resistance	-	11	-	m Ω	$f=1kHz$
I_{SC}	Short Circuit Current	-	0.2	-	A	$V_{IN}=35V$, $T_A=25^\circ C$
I_{PK}	Peak Output Current	-	2.2	-	A	$V_{IN}=18V$, $T_J=25^\circ C$
$\Delta V_{OUT}/\Delta T$	Output Voltage Temperature Coefficient	-	0.96	-	mV/ $^\circ C$	
$(\Delta V_{OUT}/\Delta V_{OUT})/\Delta T$		-	80	-	ppm/ $^\circ C$	

1A Positive Voltage Regulator

LM78xxAT

For LM7815AT ($V_{IN}=23V$, $I_{OUT}=1A$, $T_J=-40$ to $125^\circ C$, unless otherwise specified)

Symbol	Description	LM7815AT			Unit	Test Conditions
		Min.	Typ.	Max.		
V_{OUT}	Output Voltage	14.7	15	15.3	V	$T_J=25^\circ C$
		14.4	-	15.6		$V_{IN}=17.9V$ to $30V$, $I_{OUT}=5mA$ to $1A$, $P_D \leq 15W$
V_{RLINE}	Line Regulation	-	35	150	mV	$V_{IN}=17.9V$ to $30V$, $I_{OUT}=500mA$, $T_J=25^\circ C$
V_{RLOAD}	Load Regulation	-	70	150	mV	$V_{IN}=23V$, $I_{OUT}=5mA$ to $1A$, $T_J=25^\circ C$
I_Q	Quiescent Current	-	3.4	6.0	mA	$V_{IN}=23V$, $I_{OUT}=0$
ΔI_Q	Quiescent Current Change	-	0.3	0.8	mA	$V_{IN}=17.9V$ to $30V$, $I_{OUT}=500mA$, $T_J=25^\circ C$
		-	0.08	0.5		$I_{OUT}=5mA$ to $1A$, $T_J=25^\circ C$
$PSRR$	Ripple Rejection	-	58	-	dB	$V_{IN}=18.5V$ to $28.5V$, $f=120Hz$, $I_{OUT}=500mA$
V_{DROP}	Dropout Voltage	-	2.0	-	V	$\Delta V_{OUT}=1\%$, $I_{OUT}=1A$, $T_J=25^\circ C$
N_o	Output Noise Voltage	-	10	-	$\mu V/V_o$	$f=10Hz$ to $100kHz$, $T_A=25^\circ C$
R_o	Output Resistance	-	11	-	m Ω	$f=1kHz$
I_{SC}	Short Circuit Current	-	0.2	-	A	$V_{IN}=35V$, $T_A=25^\circ C$
I_{PK}	Peak Output Current	-	2.2	-	A	$V_{IN}=21V$, $T_J=25^\circ C$
$\Delta V_{OUT}/\Delta T$	Output Voltage Temperature Coefficient	-	1.2	-	mV/ $^\circ C$	
$(\Delta V_{OUT}/\Delta V_{OUT})/\Delta T$		-	80	-	ppm/ $^\circ C$	

1A Positive Voltage Regulator

LM78xxAT

For LM7818AT ($V_{IN}=27V$, $I_{OUT}=1A$, $T_J=-40$ to $125^\circ C$, unless otherwise specified)

Symbol	Description	LM7818AT			Unit	Test Conditions
		Min.	Typ.	Max.		
V_{OUT}	Output Voltage	17.64	18	18.36	V	$T_J=25^\circ C$
		17.3	-	18.7		$V_{IN}=21V$ to $33V$, $I_{OUT}=5mA$ to $1A$, $P_D \leq 15W$
V_{RLINE}	Line Regulation	-	45	180	mV	$V_{IN}=21V$ to $33V$, $I_{OUT}=500mA$, $T_J=25^\circ C$
V_{RLOAD}	Load Regulation	-	85	180	mV	$V_{IN}=27V$, $I_{OUT}=5mA$ to $1A$, $T_J=25^\circ C$
I_Q	Quiescent Current	-	3.6	6.0	mA	$V_{IN}=27V$, $I_{OUT}=0$
ΔI_Q	Quiescent Current Change	-	0.3	0.8	mA	$V_{IN}=21V$ to $33V$, $I_{OUT}=500mA$, $T_J=25^\circ C$
		-	0.08	0.5		$I_{OUT}=5mA$ to $1A$, $T_J=25^\circ C$
$PSRR$	Ripple Rejection	-	57	-	dB	$V_{IN}=22V$ to $32V$, $f=120Hz$, $I_{OUT}=500mA$
V_{DROP}	Dropout Voltage	-	2.0	-	V	$\Delta V_{OUT}=1\%$, $I_{OUT}=1A$, $T_J=25^\circ C$
N_o	Output Noise Voltage	-	10	-	$\mu V/V_o$	$f=10Hz$ to $100kHz$, $T_A=25^\circ C$
R_o	Output Resistance	-	11	-	m Ω	$f=1kHz$
I_{SC}	Short Circuit Current	-	0.2	-	A	$V_{IN}=35V$, $T_A=25^\circ C$
I_{PK}	Peak Output Current	-	2.2	-	A	$V_{IN}=24V$, $T_J=25^\circ C$
$\Delta V_{OUT}/\Delta T$	Output Voltage Temperature Coefficient	-	1.44	-	mV/ $^\circ C$	
$(\Delta V_{OUT}/\Delta V_{OUT})/\Delta T$		-	80	-	ppm/ $^\circ C$	

1A Positive Voltage Regulator

LM78xxAT

Typical Characteristics Curves

Fig.1- Peak Output Current vs. Input/Output Differential Voltage

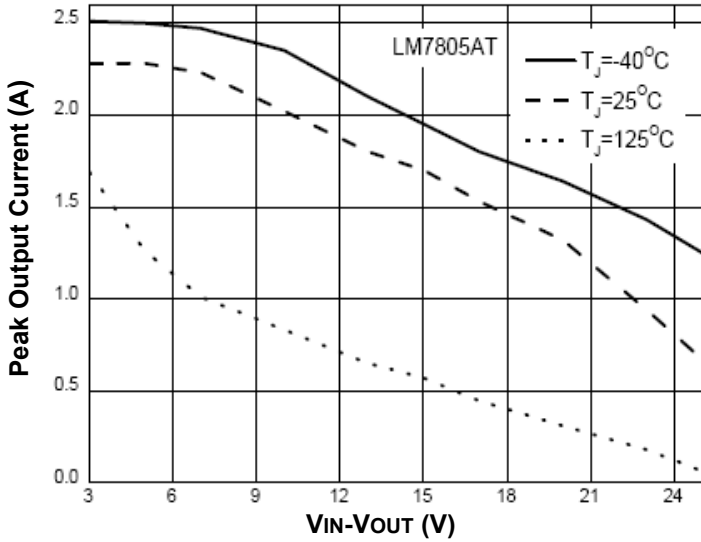


Fig.2- Output Voltage vs. Junction Temperature

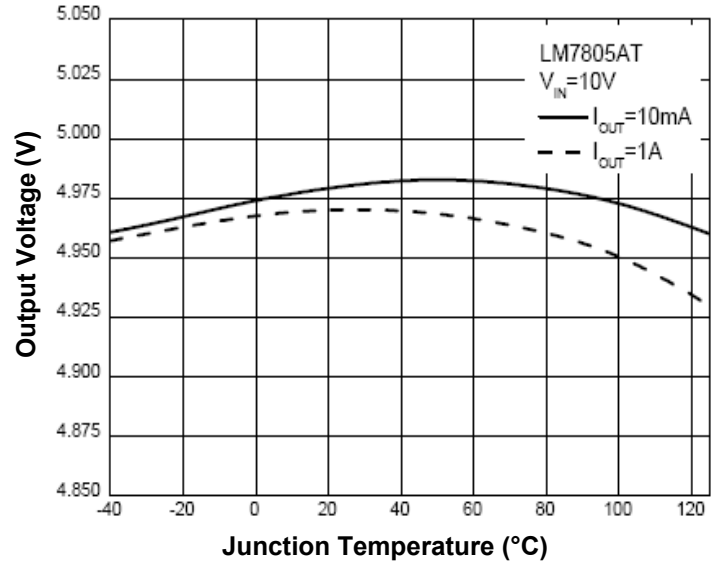


Fig.3- Output Voltage vs. Output Current

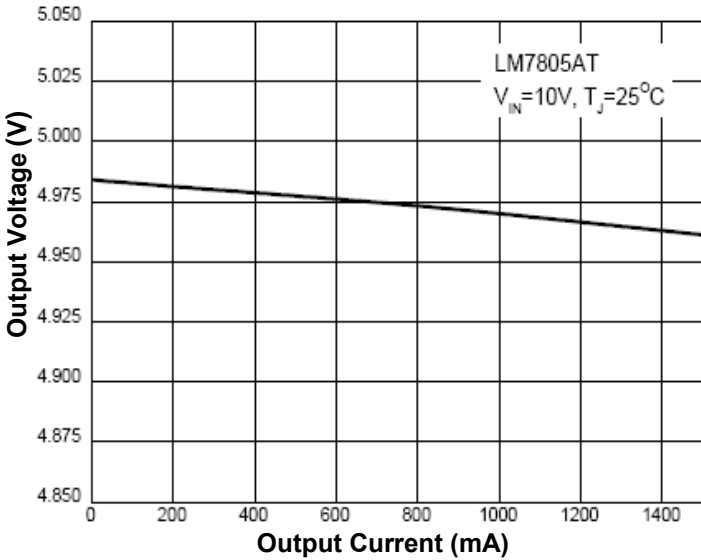
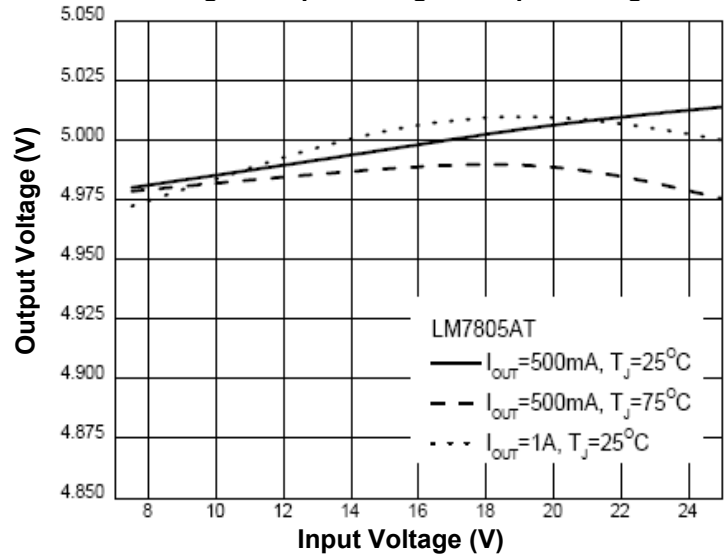


Fig.4- Output Voltage vs. Input Voltage



1A Positive Voltage Regulator

LM78xxAT

Typical Characteristics Curves (Continued)

Fig.5- Quiescent Current vs. Junction Temperature

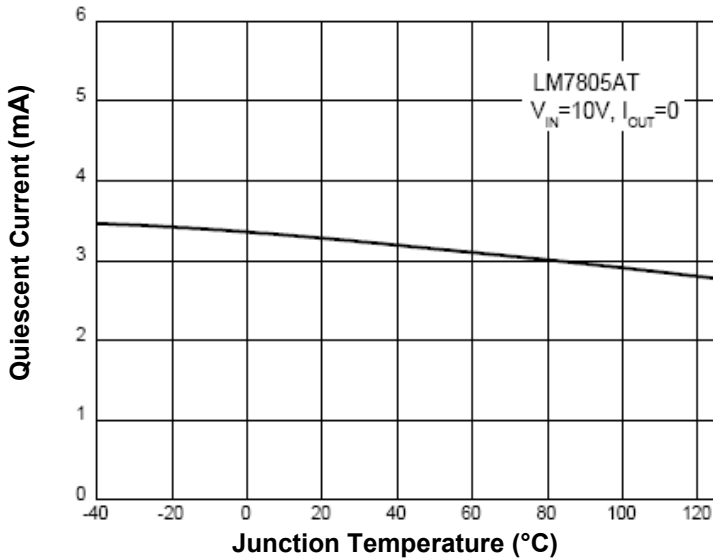


Fig.6- Ripple Rejection vs. Frequency

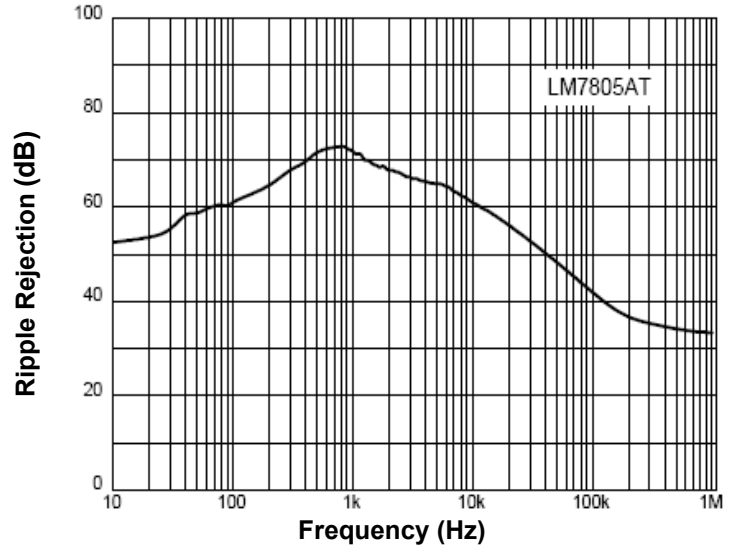


Fig.7- Dropout Voltage vs. Junction Temperature

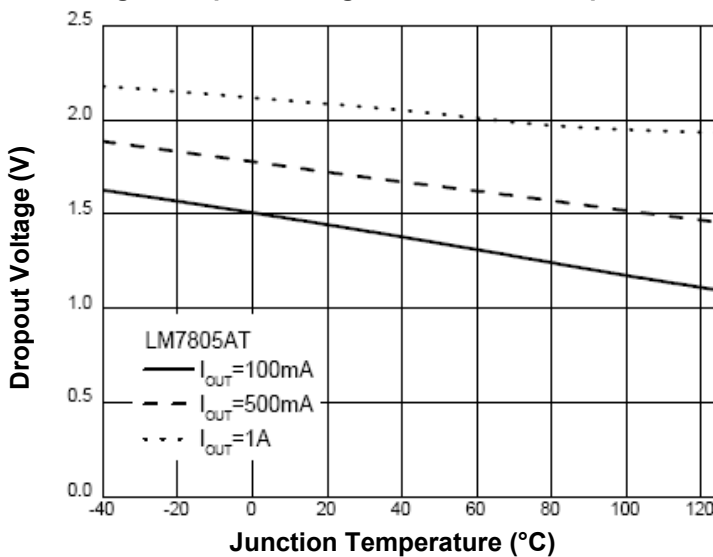
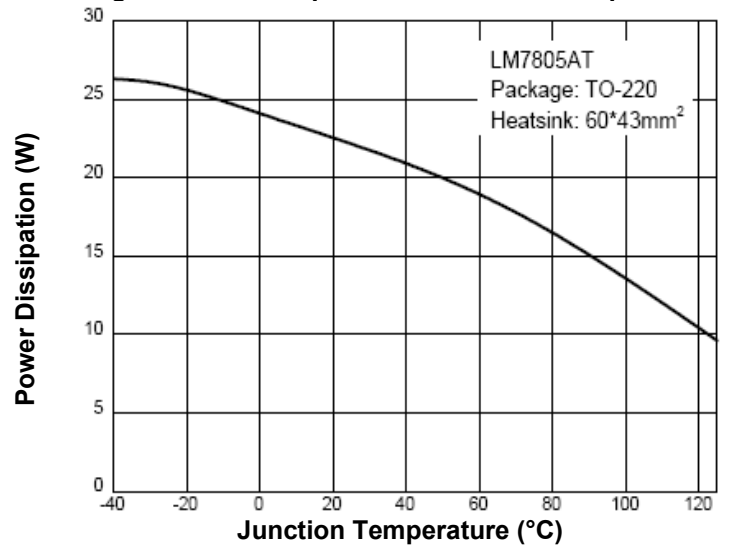


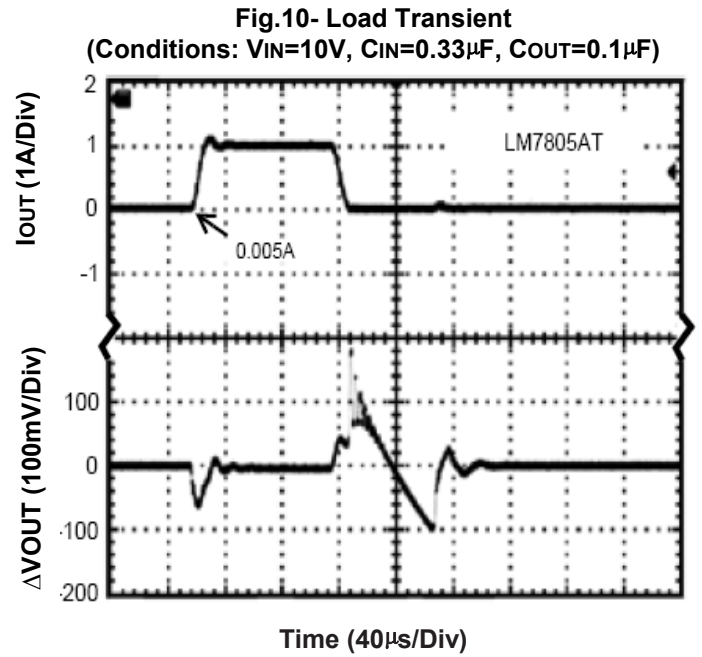
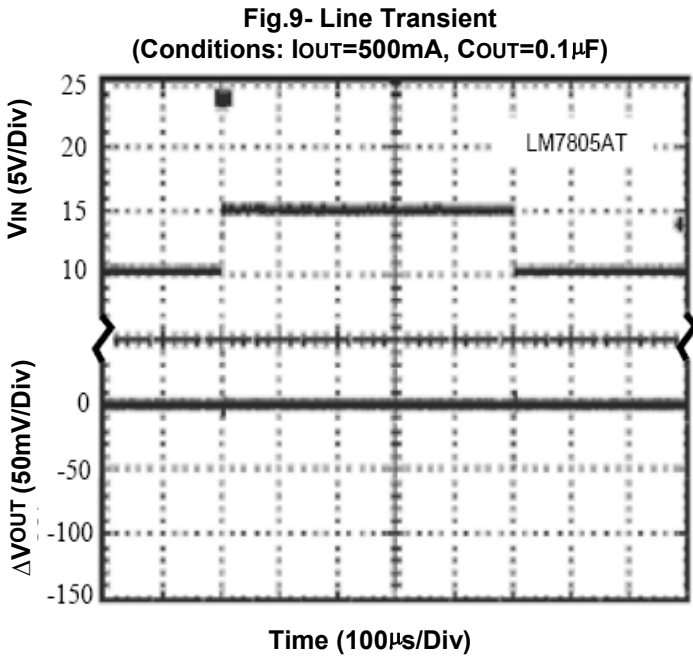
Fig.8- Power Dissipation vs. Junction Temperature



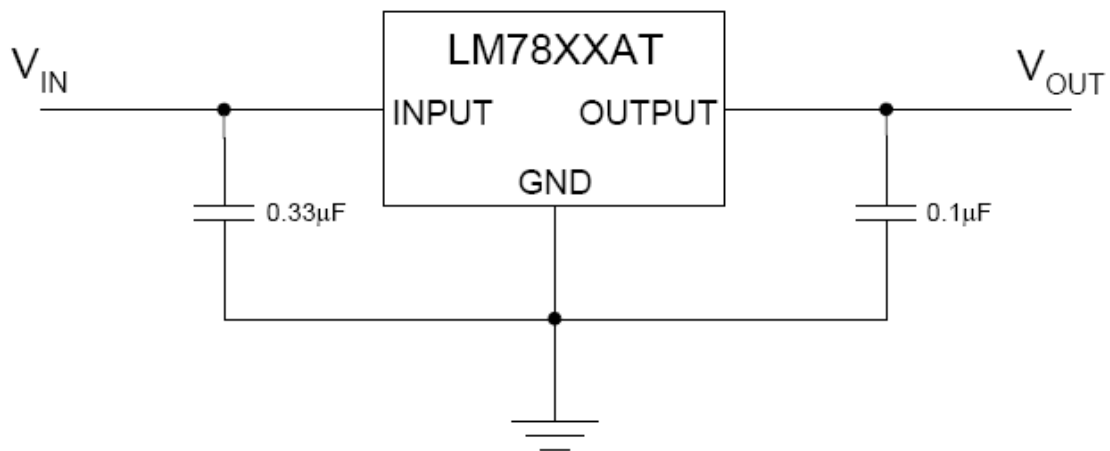
1A Positive Voltage Regulator

LM78xxAT

Typical Performance Characteristics



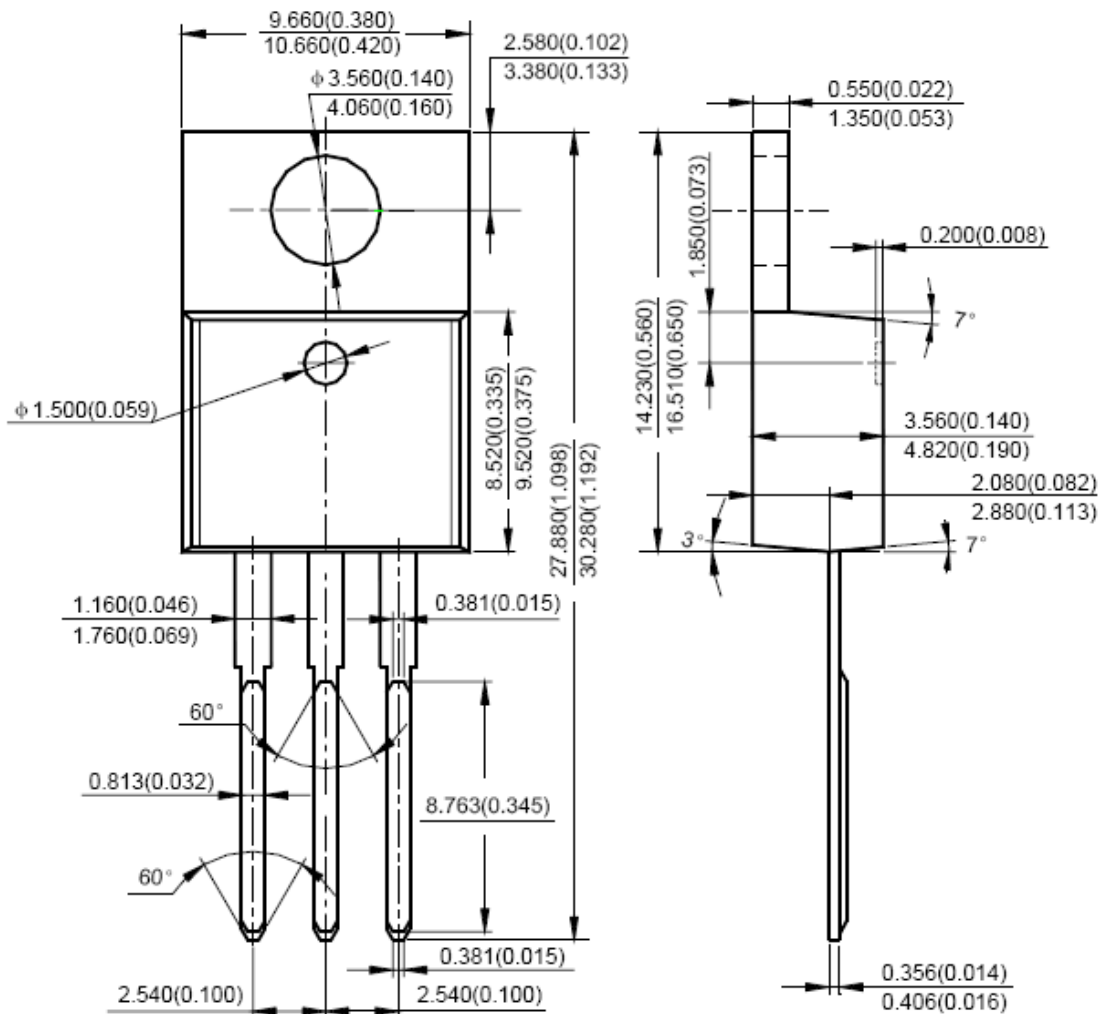
Typical Application



1A Positive Voltage Regulator

LM78xxAT

Dimensions in mm (inches)



TO-220

1A Positive Voltage Regulator

LM78xxAT

How to contact us:

US HEADQUARTERS

28040 WEST HARRISON PARKWAY, VALENCIA, CA 91355-4162

Tel: (800) TAITRON (800) 824-8766 (661) 257-6060

Fax: (800) TAITFAX (800) 824-8329 (661) 257-6415

Email: taitron@taitroncomponents.com

Http://www.taitroncomponents.com

TAITRON COMPONENTS MEXICO, S.A .DE C.V.

BOULEVARD CENTRAL 5000 INTERIOR 5 PARQUE INDUSTRIAL ATITALAQUIA, HIDALGO C.P.
42970 MEXICO

Tel: +52-55-5560-1519

Fax: +52-55-5560-2190

TAITRON COMPONETS INCORPORATED E REPRESENTAÇÕES DO BRASIL LTDA

RUA DOMINGOS DE MORAIS, 2777, 2.ANDAR, SALA 24 SAÚDE - SÃO PAULO-SP 04035-001 BRAZIL

Tel: +55-11-5574-7949

Fax: +55-11-5572-0052

TAITRON COMPONETS INCORPORATED, SHANGHAI REPRESENTATIVE OFFICE

METROBANK PLAZA, 1160 WEST YAN' AN ROAD, SUITE 1503, SHANGHAI, 200052, CHINA

Tel: +86-21-5424-9942

Fax: +86-21-5424-9931