



GPA801 - GPA807

8.0 AMPS. Glass Passivated Rectifiers

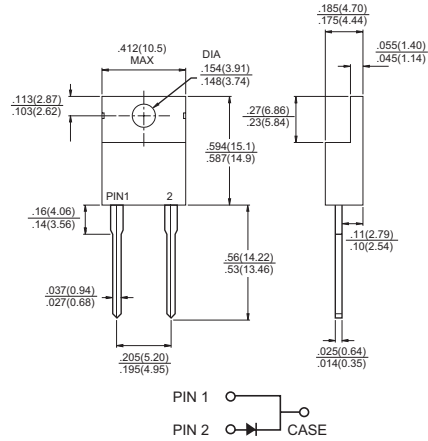
TO-220AC

Features

- ✧ Glass passivated chip junction.
- ✧ High efficiency, Low VF
- ✧ High current capability
- ✧ High reliability
- ✧ High surge current capability
- ✧ Low power loss

Mechanical Data

- ✧ Cases: TO-220AC molded plastic
- ✧ Epoxy: UL 94V-0 rate flame retardant
- ✧ Terminals: Pure tin plated, lead free. solderable per MIL-STD-202, Method 208 guaranteed
- ✧ Polarity: As marked
- ✧ High temperature soldering guaranteed: 260 °C /10 seconds .16",(.406mm) from case.
- ✧ Weight: 2.24 grams



Dimensions in inches and (millimeters)

Maximum Ratings and Electrical Characteristics

Rating at 25 °C ambient temperature unless otherwise specified.

Single phase, half wave, 60 Hz, resistive or inductive load.

For capacitive load, derate current by 20%

Type Number	Symbol	GPA 801	GPA 802	GPA 803	GPA 804	GPA 805	GPA 806	GPA 807	Units
Maximum Recurrent Peak Reverse Voltage	V_{RRM}	50	100	200	400	600	800	1000	V
Maximum RMS Voltage	V_{RMS}	35	70	140	280	420	560	700	V
Maximum DC Blocking Voltage	V_{DC}	50	100	200	400	600	800	1000	V
Maximum Average Forward Rectified Current .375"(9.5mm) Lead Length @ $T_C = 100^\circ C$	$I_{(AV)}$	8.0							A
Peak Forward Surge Current, 8.3 ms Single Half Sine-wave Superimposed on Rated Load (JEDEC method)	I_{FSM}	150							A
Maximum Instantaneous Forward Voltage @8.0A	V_F	1.1							V
Maximum DC Reverse Current @ $T_C=25^\circ C$ at Rated DC Blocking Voltage @ $T_C=125^\circ C$	I_R	5.0 100							uA uA
Typical Junction Capacitance (Note 1)	C_j	50							pF
Typical Thermal Resistance (Note 2)	$R_{\theta JC}$	2.5							°C/W
Operating and Storage Temperature Range	T_J, T_{STG}	- 65 to + 150							°C

- Notes:
1. Measured at 1 MHz and Applied Reverse Voltage of 4.0 Volts D.C.
 2. Thermal Resistance from Junction to Case Mounted on Heatsink size 2" x 3" x 0.25" Al-Plate.

RATINGS AND CHARACTERISTIC CURVES (GPA801 THRU GPA807)

FIG.1- MAXIMUM FORWARD CURRENT DERATING CURVE

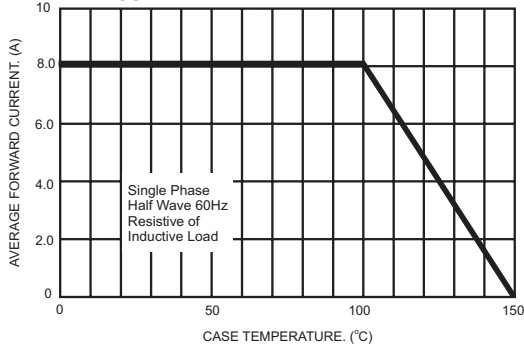


FIG.2- TYPICAL REVERSE CHARACTERISTICS

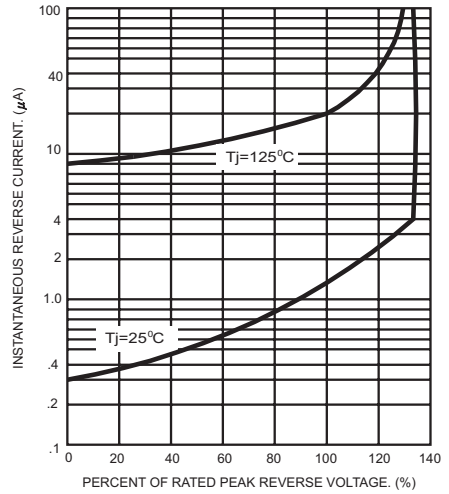


FIG.3- MAXIMUM NON-REPETITIVE FORWARD SURGE CURRENT

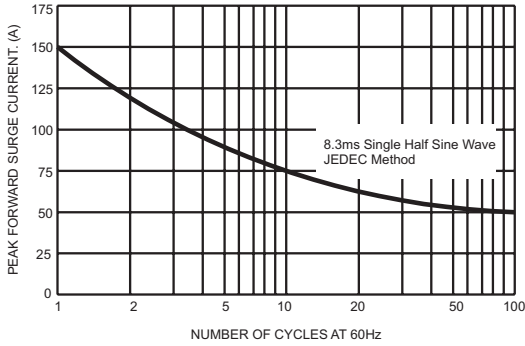


FIG.5- TYPICAL INSTANTANEOUS FORWARD CHARACTERISTICS

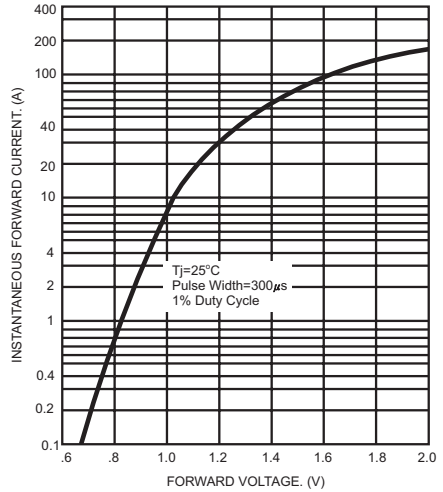


FIG.4- TYPICAL JUNCTION CAPACITANCE

