

GOX8B0590

BI-DIRECTIONAL DOUBLE STAR AC-DC CONVERTER

Fuse protection
Blown fuse indicators with microswitch
Over temperature switches
Fan loss detection circuit
Snubber for SCR's protections
Extractible stacks for easy field service

LINE VOLTAGE UP TO 50V
DC OUTPUT CURRENT 9000 A

GOX8B0590

Line to line voltage		50 V
----------------------	--	-------------

Characteristic		Conditions			Value
I _{DC}	DC output current				9000 A
V _{INS} (rms)	Insulation voltage				1000 V

THYRISTOR CHARACTERISTICS

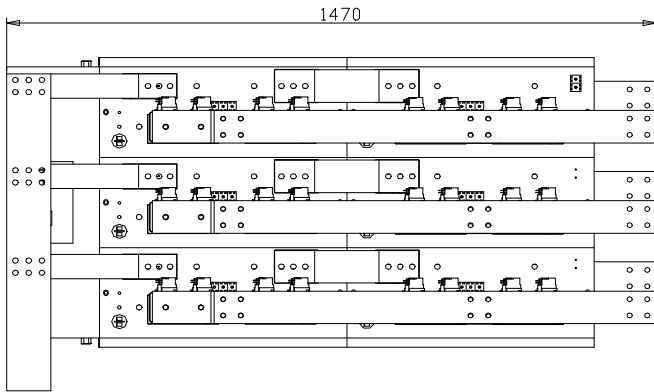
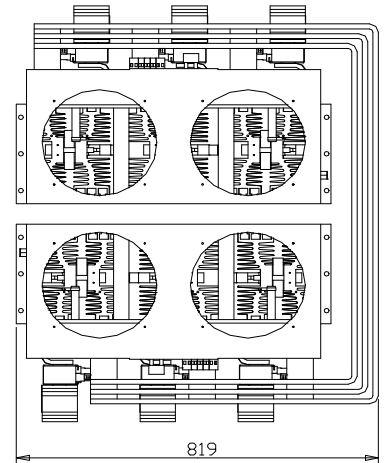
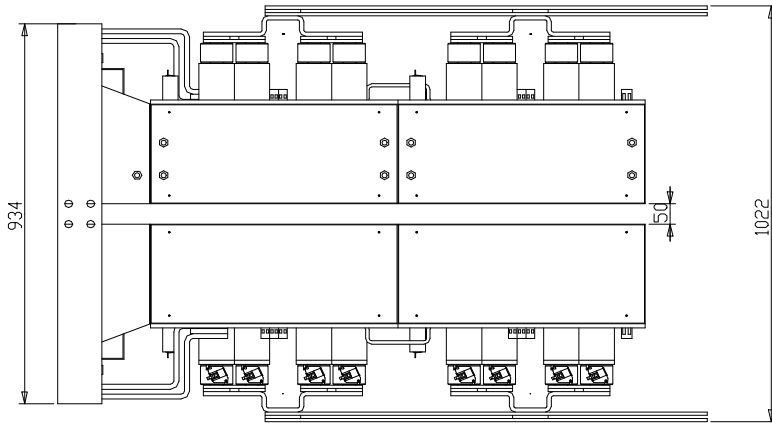
V _{GT}	Gate trigger voltage	T _j = 25 °C, V _D = 5 V			3 V
I _{GT}	Gate trigger current	T _j = 25 °C, V _D = 5 V			400 mA
dV/dt	Critical rate of rise off-state voltage	T _j = 125 °C			1000 V/us
V _{RRM}	Blocking Voltage	T _j = 125 °C			200 V

FUSE TYPE: 2 x SIBA 2068132.900

V _{NF}	Rated voltage				690 V
I _{NF}	Rated current				900 A
P _{VF}	Power loss	At rated current			120 W
I ² t	Total I ² t	At 660 V			660 kA ² s

MECHANICAL AND THERMAL CHARACTERISTICS

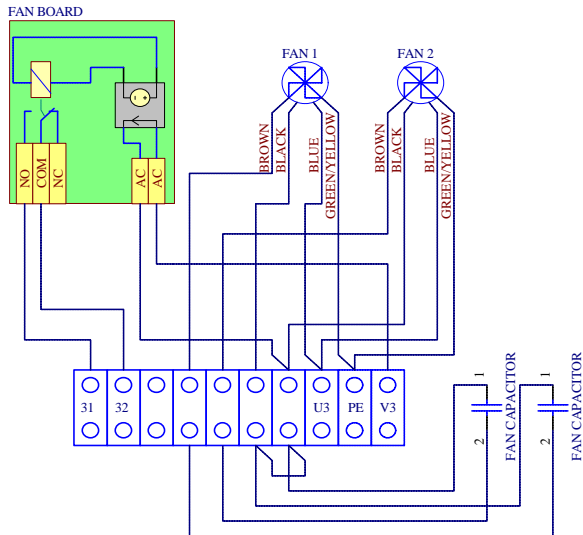
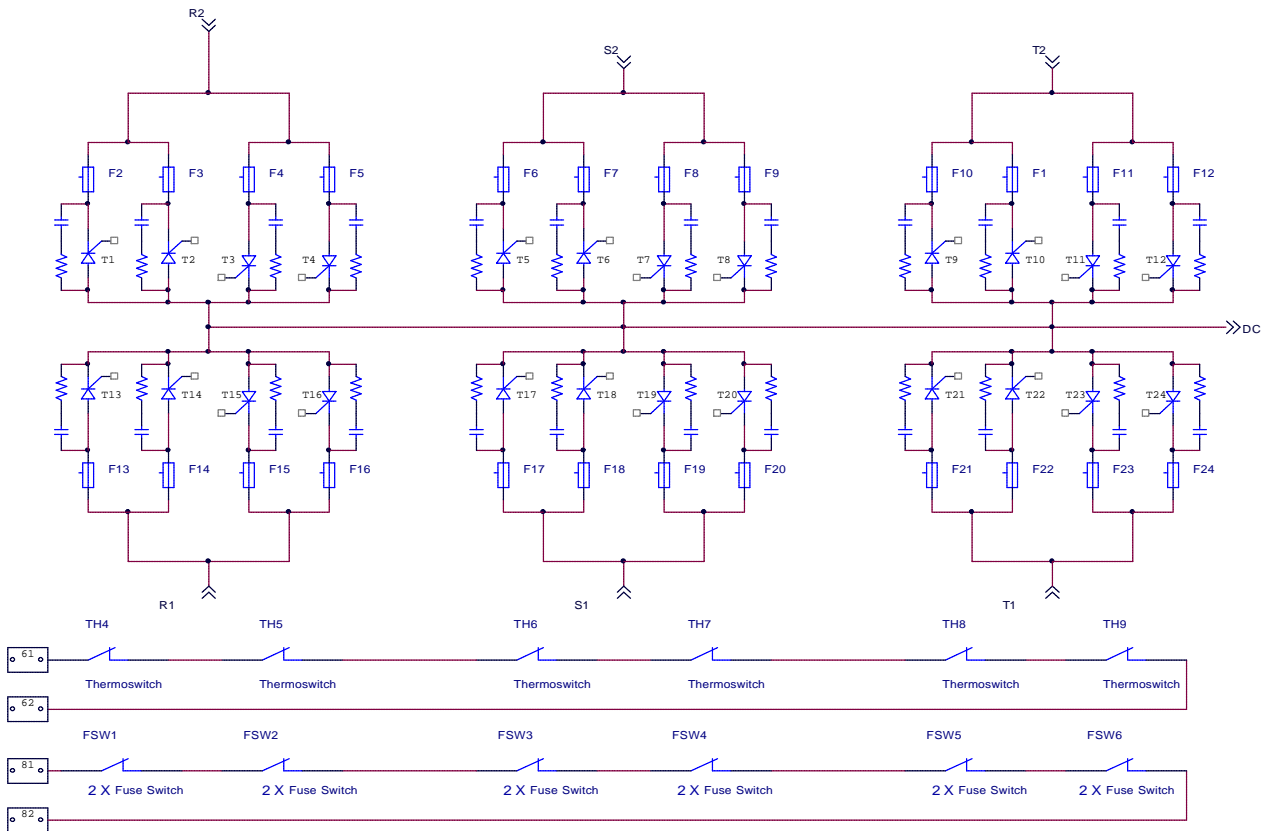
	Width				1022 mm
	Depth				819 mm
	Height				1470 mm
	Mass				500 kg
T _a max	Max amb. op. Temp.				40 °C
T _{stg}	Storage temperature				-40/60 °C



The part numbering system is reported at the beginning of the Open Assembly section.

Customisations are available on request. Please contact factory.

In the interest of product improvement Green Power Solutions reserves the right to change any specification given in this data sheet without notice.



U3-V3: MAIN SUPPLY
 PE: GROUND CONNECTION (GND)
 31-32: FAN BOARD CONTACT (CLOSED WHEN FAN RUNNING)

Cooling:

Fan type: single phase axial
 Number of fans: 4
 Voltage: 230 V
 Current: 0.7 A (each)
 Frequency: 50/60 Hz
 Noise: 62 dBA

In the interest of product improvement Green Power Solutions reserves the right to change any specification given in this data sheet without notice.